



Revolution Products

# PARK AVENUE LIBRARY FURNITURE

## PRICE LIST 2024

PLEASE ADD 17% TO ALL LIST PRICES IN THIS CATALOG EFFECTIVE 6/1/23



Revolution Products  
259 Whip O Will Drive  
Clinton, SC 29325  
864-201-1357

# Park Avenue

Welcome to Park Avenue from Revolution Products.

## Index

---

- I. Terms and Conditions
  
- II. **PARK AVENUE** Reading Tables Pgs. 3-4  
with square tapered legs
- III. **PARK AVENUE** IT Tables with monitor racks Pg. 5  
with square tapered legs
- IV. **PARK AVENUE** IT Tables with Sentinel end Pgs. 6-7  
frame, monitor racks and square tapered legs
- IV. **PARK AVENUE** Tables with Sentinel end Pg. 8-9  
frame and square tapered legs
- V. **PARK AVENUE** Post and Panel Carrels Pgs. 10-11  
with square tapered legs
- VI. **PARK AVENUE** Full Panel Carrels Pgs. 12-13  
with square tapered legs
- VII. **PARK AVENUE** Reading Tables Pgs. 14-15  
with round tapered legs
- VIII. **PARK AVENUE** IT Tables with monitor racks Pg. 16  
with round tapered legs
- IX. **PARK AVENUE** Post and Panel Carrels Pgs. 17-18  
with round tapered legs
- X. **PARK AVENUE** Full Panel Carrels Pgs. 19-20  
with round tapered legs
- XI. **PARK AVENUE** End Panels Pgs. 21-25
- XI. **PARK AVENUE** Product Drawings Pgs. 26-28

# Park Avenue

**Terms of Sale:** All prices are FOB Clinton, SC. Net 30 days from date of shipment. All prices are list and subject to change without notice. Interest of 2% per month will be assessed on past due invoices. Possession of price list does not constitute authority to purchase or sell products herein.

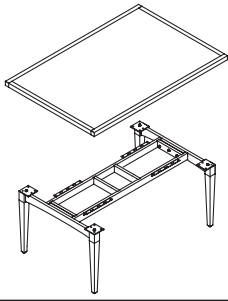
**Taxes:** All applicable taxes are extra. If a client is tax exempt please provide tax certificate.

**Ordering:** Orders must have all pertinent information provided before they will be processed and entered including model numbers, quantities and finish, laminate and fabric selections where appropriate. Please provide a requested by date, or not to ship before date on your order.

**Warranty:** All items are warranted for 10 years unless otherwise stated. Warranty is for initial purchaser and only valid as long as the product is owned by original customer. The warranty, which begins at date of manufacture, covers defects in materials and workmanship found during the normal usage of product during the warranty period. Revolution Products will at its option repair or replace the defective product with a comparable component or product. Warranty does not cover any "Customers Own Material" used in manufacture. Except as stated above, Revolution Products makes no express or implied warranties as to any product and in particular makes no warranty of fitness for any particular use. At Revolution Products option, product repair, or replacement is the customer's exclusive remedy for any and all product defects.

**BIFMA and ANSI Testing:** All products offered by Revolution Products meet or exceed applicable BIFMA and ANSI testing standards.

**New Accounts:** New Accounts can only be established with the approval of a Revolution Products representative. New accounts will be subject to special credit reference requirements and deposit terms before they are approved.



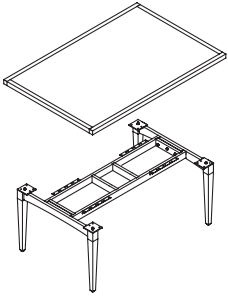
# Park Avenue

## READING TABLES WITH SQUARE TAPERED LEGS

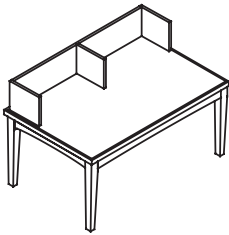
MODEL NUMBER	DESCRIPTION	LIST PRICE
PS-3648-O-T	Table 36" deep x 48" wide in oak, HPL top 1 1/4" thick with 1 3/4" W X 1 5/8" H drop edge banding, 3" arched aprons at the ends, 2 3/4" solid oak square legs tapered to 1 1/2" at the bottom, metal leg plates, and ladder keel for structural support	3569.00
PS-3060-O-T	Table 30" deep x 60" wide in oak, HPL top 1 1/4" thick with 1 3/4" W x 1 5/8" H drop edge banding, 3" arched aprons at the ends, 2 3/4" solid oak square legs tapered to 1 1/2" at the bottom, metal leg plates, and ladder keel for structural support	3810.00
PS-3660-O-T	Table 36" deep x 60" wide in oak, HPL top 1 1/4" thick with 1 3/4" W x 1 5/8" H drop edge banding, 3" arched aprons at the ends, 2 3/4" solid oak square legs tapered to 1 1/2" at the bottom, metal leg plates, and ladder keel for structural support	3902.00
PS-3672-O-T	Table 36" deep x 72" wide in oak, HPL top 1 1/4" thick with 1 3/4" W x 1 5/8" H drop edge banding, 3" arched aprons at the ends, 2 3/4" solid oak square legs tapered to 1 1/2" at the bottom, metal leg plates, and ladder keel for structural support	4241.00
PS-3696-O-T	Table 36" deep x 96" wide in oak, HPL top 1 1/4" thick with 1 3/4" W x 1 5/8" H drop edge banding, 3" arched aprons at the ends, 2 3/4" solid oak square legs tapered to 1 1/2" at the bottom, metal leg plates, and ladder keel for structural support	4906.00
PS-4272-O-T	Table 42" deep x 72" wide in oak, HPL top 1 1/4" thick with 1 3/4" W x 1 5/8" H drop edge banding, 3" arched aprons at the ends, 2 3/4" solid oak square legs tapered to 1 1/2" at the bottom, metal leg plates, and ladder keel for structural support	4427.00
PS-4296-O-T	Table 42" deep x 96" wide in oak, HPL top 1 1/4" thick with 1 3/4" W x 1 5/8" H drop edge banding, 3" arched aprons at the ends, 2 3/4" solid oak square legs tapered to 1 1/2" at the bottom, metal leg plates, and ladder keel for structural support	5105.00
PS-4872-O-T	Table 48" deep x 72" wide in oak, HPL top 1 1/4" thick with 1 3/4" W x 1 5/8" H drop edge banding, 3" arched aprons at the ends, 2 3/4" solid oak square legs tapered to 1 1/2" at the bottom, metal leg plates, and ladder keel for structural support	4586.00
PS-4896-O-T	Table 48" deep x 96" wide in oak, HPL top 1 1/4" thick with 1 3/4" W x 1 5/8" H drop edge banding, 3" arched aprons at the ends, 2 3/4" solid oak square legs tapered to 1 1/2" at the bottom, metal leg plates, and ladder keel for structural support	5248.00

# Park Avenue

## READING TABLES WITH SQUARE TAPERED LEGS



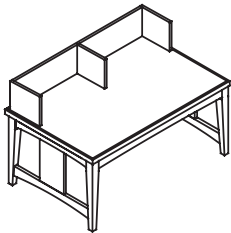
MODEL NUMBER	DESCRIPTION	LIST PRICE
PS-4242-O-T	Table 42" square in oak, HPL top 1 1/4" thick with 3/4" W x 1 5/8" H oak drop edge banding, 3" arched aprons on 2 ends, 2 3/4" solid oak square legs tapered to 1 1/2" at the bottom with metal leg plates, ladder keel for structural support	3335.00
PS-4848-O-T	Table 48" square in oak, HPL top 1 1/4" thick with 3/4" W x 1 5/8" H oak drop edge banding, 3" arched aprons, 2 3/4" solid oak square legs tapered to 1 1/2" at the bottom with metal leg plates, ladder keel for structural support	3383.00
PS-42R-O-T	Table 42" round in oak, HPL top 1 1/4" thick with 3/4" W x 1 5/8" H oak drop edge banding, 3" arched aprons, 2 3/4" solid oak square legs tapered to 1 1/2" at the bottom with metal leg plates	3793.00
PS-48R-O-T	Table 48" round in oak, HPL top 1 1/4" thick with 3/4" W x 1 5/8" H oak drop edge banding, 3" arched aprons, 2 3/4" solid oak square legs tapered to 1 1/2" at the bottom with metal leg plates	4145.00
PS-60R-O-T	Table 60" round in oak, HPL top 1 1/4" thick with 3/4" W x 1 5/8" H oak drop edge banding 3" arched aprons, 2 3/4" solid oak square legs tapered to 1 1/2" at the bottom with metal leg plates	4466.00
SUFFIX -M	For maple change the suffix O to M and add 7 percent.	



# Park Avenue

## IT TABLES WITH MONITOR RACKS AND SQUARE TAPERED LEGS

MODEL NUMBER	DESCRIPTION	LIST PRICE
PS-3036-O-IT	Information technology table 30" deep x 36" wide in oak, HPL top 1 1/4" T with 1 3/4" W x 1 5/8" H drop edge banding, 3" arched aprons at the ends, 2 3/4" solid oak square legs tapered to 1 1/2" at the bottom, metal leg plates and ladder keel, 10" high monitor rack at the back of the table and extending forward 10" at each end	3872.00
PS-3048-O-IT	Information technology table 30" deep x 48" wide in oak, HPL top 1 1/4" T with 1 3/4" W x 1 5/8" H drop edge banding, 3" arched aprons at the ends, 2 3/4" solid oak square legs tapered to 1 1/2" at the bottom, metal leg plates and ladder keel, 10" high monitor rack at the back of the table and extending forward 10" at each end	4019.00
PS-3060-O-IT	Information technology table 30" deep x 60" wide in oak, HPL top 1 1/4" T with 1 3/4" W x 1 5/8" H drop edge banding, 3" arched aprons at the ends, 2 3/4" solid oak square legs tapered to 1 1/2" at the bottom, metal leg plates and ladder keel, 10" high monitor rack at the back of the table and extending forward 10" at each end	4348.00
PS-3072-O-IT	Information technology table 30" deep x 72" wide in oak, HPL top 1 1/4" T with 1 3/4" W x 1 5/8" H drop edge banding, 3" arched aprons at the ends, 2 3/4" solid oak square legs tapered to 1 1/2" at the bottom, metal leg plates and ladder keel, 10" high monitor rack at the back of the table and extending forward 10" at each end	4762.00
PS-3072-O-IT2	Information technology table 30" deep x 72" wide in oak, HPL top 1 1/4" T with 1 3/4" W x 1 5/8" H drop edge banding, 3" arched aprons at the ends, 2 3/4" solid oak square legs tapered to 1 1/2" at the bottom, metal leg plates and ladder keel, 10" high monitor rack at the back of the table and extending forward 10" at each end and the center point dividing the unit intop 2 work spaces	4843.00
PS-3096-O-IT2	Information technology table 30" deep x 96" wide in oak, HPL top 1 1/4" T with 1 3/4" W x 1 5/8" H drop edge banding, 3" arched aprons at the ends, 2 3/4" solid oak square legs tapered to 1 1/2" at the bottom, metal leg plates and ladder keel, 10" high monitor rack at the back of the table and extending forward 10" at each end and the center point dividing the unit intop 2 work spaces	5609.00
PS-3096-O-IT3	Information technology table 30" deep x 96" wide in oak, HPL top 1 1/4" T with 1 3/4" W x 1 5/8" H drop edge banding, 3" arched aprons at the ends, 2 3/4" solid oak square legs tapered to 1 1/2" at the bottom, metal leg plates and ladder keel, 10" high monitor rack at the back of the table and extending forward 10" at each end and 2 center points dividing the unit intop 3 work spaces	5690.00

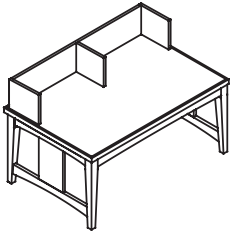


# Park Avenue

## IT TABLES WITH MONITOR RACKS, SENTINEL ENDS AND SQUARE TAPERED LEGS

MODEL NUMBER	DESCRIPTION	LIST PRICE
PS-3036-O-ITS	Information technology table 30" deep x 36" wide in oak, HPL top 1 1/4" T with 1 3/4" W x 1 5/8" H drop edge banding, Sentinel ends consisting of a 3" high arched apron, a 3" high arched stretcher, a solid vertical panel and 2 slats, 2 3/4" solid oak square legs tapered to 1 1/2" at the bottom with metal plates, ladder keel, 10" high monitor rack at the back of the table and extending forward 10" at each end	5102.00
PS-3048-O-ITS	Information technology table 30" deep x 48" wide in oak, HPL top 1 1/4" T with 1 3/4" W x 1 5/8" H drop edge banding, Sentinel ends consisting of a 3" high arched apron, a 3" high arched stretcher, a solid vertical panel and 2 slats, 2 3/4" solid oak square legs tapered to 1 1/2" at the bottom with metal plates, ladder keel, 10" high monitor rack at the back of the table and extending forward 10" at each end	5366.00
PS-3060-O-ITS	Information technology table 30" deep x 60" wide in oak, HPL top 1 1/4" T with 1 3/4" W x 1 5/8" H drop edge banding, Sentinel ends consisting of a 3" high arched apron, a 3" high arched stretcher, a solid vertical panel and 2 slats, 2 3/4" solid oak square legs tapered to 1 1/2" at the bottom with metal plates, ladder keel, 10" high monitor rack at the back of the table and extending forward 10" at each end	6294.00
PS-3072-O-ITS	Information technology table 30" deep x 72" wide in oak, HPL top 1 1/4" T with 1 3/4" W x 1 5/8" H drop edge banding, Sentinel ends consisting of a 3" high arched apron, a 3" high arched stretcher, a solid vertical panel and 2 slats, 2 3/4" solid oak square legs tapered to 1 1/2" at the bottom with metal plates, ladder keel, 10" high monitor rack at the back of the table and extending forward 10" at each end	6511.00
PS-3072-O-ITS2	Information technology table 30" deep x 72" wide in oak, HPL top 1 1/4" T with 1 3/4" W x 1 5/8" H drop edge banding, Sentinel ends consisting of a 3" high arched apron, a 3" high arched stretcher, a solid vertical panel and 2 slats, 2 3/4" solid oak square legs tapered to 1 1/2" at the bottom with metal plates, ladder keel, 10" high monitor rack at the back of the table and extending forward 10" at each end and the center	6594.00



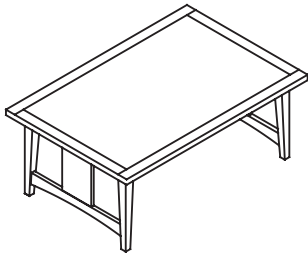


# Park Avenue

IT TABLES WITH MONITOR RACKS,  
SENTINEL ENDS AND SQUARE  
TAPERED LEGS

MODEL NUMBER	DESCRIPTION	LIST PRICE
PS-3096-O-ITS2	Information technology table 30" deep x 96" wide in oak, HPL top 1 1/4" T with 1 3/4" W x 1 5/8" H drop edge banding, Sentinel ends consisting of a 3" high arched apron, a 3" high arched stretcher, a solid vertical panel and 2 slats, 2 3/4" solid oak square legs tapered to 1 1/2" at the bottom with metal plates, ladder keel, 10" high monitor rack at the back of the table and extending forward 10" at each end and the center	7817.00
PS-3096-O-ITS3	Information technology table 30" deep x 96" wide in oak, HPL top 1 1/4" T with 1 3/4" W x 1 5/8" H drop edge banding, Sentinel ends consisting of a 3" high arched apron, a 3" high arched stretcher, a solid vertical panel and 2 slats, 2 3/4" solid oak square legs tapered to 1 1/2" at the bottom with metal plates, ladder keel, 10" high monitor rack at the back of the table and extending forward 10" at each end and 2 center points dividing the table into 3 equal work spaces	7900.00



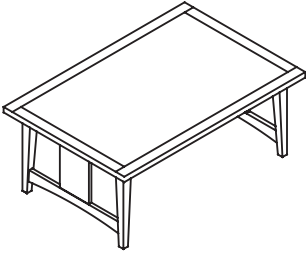


# Park Avenue

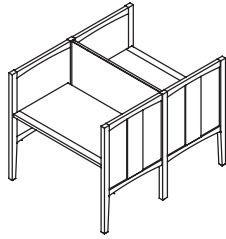
## TABLES WITH SENTINEL ENDS FRAME AND SQUARE TAPERED LEGS

MODEL NUMBER	DESCRIPTION	LIST PRICE
PS-3648-O-TS	Table 36" deep x 48" wide in oak, HPL top 1 1/4" thick with 1 3/4" W x 1 5/8" T drop edge banding, Sentinel ends consisting of a 3" high arched apron, a 3" high arched stretcher, a solid vertical panel and 2 slats, 2 3/4" solid oak square legs tapered to 1 1/2" at the bottom with metal leg plates, ladder keel for structural support	4732.00
PS-3060-O-TS	Table 30" deep x 60" wide in oak, HPL top 1 1/4" thick with 1 3/4" W x 1 5/8" T drop edge banding, Sentinel ends consisting of a 3" high arched apron, a 3" high arched stretcher, a solid vertical panel and 2 slats, 2 3/4" solid oak square legs tapered to 1 1/2" at the bottom with metal leg plates, ladder keel for structural support	4790.00
PS-3660-O-TS	Table 36" deep x 60" wide in oak, HPL top 1 1/4" thick with 1 3/4" W x 1 5/8" H drop edge banding, Sentinel ends consisting of a 3" high arched apron, a 3" high arched stretcher, a solid vertical panel and 2 slats, 2 3/4" solid oak square legs tapered to 1 1/2" at the bottom with metal leg plates, ladder keel for structural support	5143.00
PS-3672-O-TS	Table 36" deep x 72" wide in oak, HPL top 1 1/4" thick with 1 3/4" W x 1 5/8" H drop edge banding, Sentinel ends consisting of a 3" high arched apron, a 3" high arched stretcher, a solid vertical panel and 2 slats, 2 3/4" solid oak square legs tapered to 1 1/2" at the bottom with metal leg plates, ladder keel for structural support	5401.00
PS-3696-O-TS	Table 36" deep x 96" wide in oak, HPL top 1 1/4" thick with 1 3/4" W x 1 5/8" H drop edge banding, Sentinel ends consisting of a 3" high arched apron, a 3" high arched stretcher, a solid vertical panel and 2 slats, 2 3/4" solid oak square legs tapered to 1 1/2" at the bottom with metal leg plates, ladder keel for structural support	5941.00
PS-4272-O-TS	Table 42" deep x 72" wide in oak, HPL top 1 1/4" thick with 1 3/4" W x 1 5/8" H drop edge banding, Sentinel ends consisting of a 3" high arched apron, a 3" high arched stretcher, a solid vertical panel and 2 slats, 2 3/4" solid oak square legs tapered to 1 1/2" at the bottom with metal leg plates, ladder keel for structural support	5627.00
PS-4296-O-TS	Table 42" deep x 96" wide in oak, HPL top 1 1/4" thick with 1 3/4" W x 1 5/8" H drop edge banding, Sentinel ends consisting of a 3" high arched apron, a 3" high arched stretcher, a solid vertical panel and 2 slats, 2 3/4" solid oak square legs tapered to 1 1/2" at the bottom with metal leg plates, ladder keel for structural support	6168.00

# Park Avenue



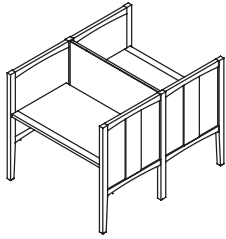
PS-4872-O-TS	Table 48" deep x 72" wide in oak, HPL top 1 1/4" thick with 1 3/4" W x 1 5/8" H drop edge banding, Sentinel ends consisting of a 3" high arched apron, a 3" high arched stretcher, a solid vertical panel and 2 slats, 2 3/4" solid oak square legs tapered to 1 1/2" at the bottom with metal leg plates, ladder keel for structural support	6104.00
PS-4896-O-TS	Table 48" deep x 96" wide in oak, HPL top 1 1/4" thick with 1 3/4" W x 1 5/8" H drop edge banding, Sentinel ends consisting of a 3" high arched apron, a 3" high arched stretcher, a solid vertical panel and 2 slats, 2 3/4" solid oak square legs tapered to 1 1/2" at the bottom with metal leg plates, ladder keel for structural support	6775.00



# Park Avenue

## POST AND PANEL CARRELS WITH SQUARE TAPERED LEGS

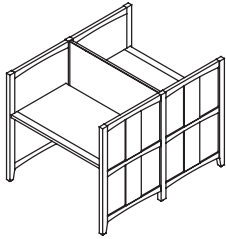
MODEL NUMBER	DESCRIPTION	LIST PRICE
PS-3136-O-PPSC	Elevated Panel Carrel work station starter in oak 31" deep x 38" wide x 48" high, 1 1/8" thick end panels with 2 1/2" high solid oak arched edge banding at the top and bottom of the panels with 5" wide center slat, 2" wide flat posts tapered on 2 sides from the bottom of the panel to 1 1/2" at the floor, 1 1/4" thick HPL work surface with 1 3/4" W oak edge banding	4058.00
PS-3136-O-PPSCA	Carrel work station adder in oak 31" deep x 36 1/2" wide x 48" high, 1 1/8" thick intermediate panel with arched detailing at the top and bottom of the panel, 2" wide flat posts tapered on 2 sides from the bottom of the panel to 1 1/2" at the floor, 1 1/4" thick HPL work surface with 1 3/4" thick edge oak banding	3163.00
PSD-3150-O-PPSC	Elevated Panel Carrel work station starter in oak 31" deep x 50" wide x 48" high, 1 1/8" thick end panels with 2 1/2" high solid oak arched edge banding at the top and bottom of the panel with 5" wide center slat, 2" wide flat posts tapered on 2 sides from the bottom of the panel to 1 1/2" at the floor, 1 1/4" thick HPL work surface with 1 3/4" W oak edge banding	4670.00
PS-3148-O-PPSCA	Carrel work station adder in oak 31" deep x 48 1/2" wide x 48" high, 1 1/8" thick intermediate panel with arched detailing at the top and bottom of the panel, 2" wide flat posts tapered on 2 sides from the bottom of the panel to 1 1/2" at the floor, 1 1/4" thick HPL work surface with 1 3/4" thick edge oak banding	3775.00
PS-3136-O-PPDF	Elevated Panel Carrel work station, double faced, starter in oak 61" deep x 38" wide x 48" high, 1 1/8" thick end panels with 2 1/2" high solid oak arched edge banding at top and bottom of panels with 5" wide center slat, 2" wide flat posts tapered on 2 sides from the bottom of the panel to 1 1/2" at the floor, 2 each 1 1/4" thick HPL work surfaces with 1 3/4" thick edge banding	6785.00
PS-3136-O-PPDFA	Carrel work station, double faced, adder in oak 61" deep x 36 1/2" wide x 48" high, 1 1/8" thick intermediate panels with arched detailing at the top and bottom of the panel, 2" wide flat posts tapered on 2 sides from the bottom of the panel to 1 1/2" at the floor, 2 each 1 1/4" thick HPL work surface with 1 3/4" thick oak edge banding	5342.00



# Park Avenue

## POST AND PANEL CARRELS WITH SQUARE TAPERED LEGS

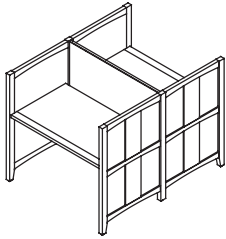
MODEL NUMBER	DESCRIPTION	LIST PRICE
PS-3148-O-PPDF	Elevated Panel Carrel work station, double faced, starter in oak 61" deep x 50" wide x 48" high, 1 1/8" thick end panels with 2 1/2" high solid oak arched edge banding at top and bottom of panels with 5" wide center slat, 2" wide flat posts tapered on 2 sides from the bottom of the panel to 1 1/2" at the floor, 2 each 1 1/4" thick HPL work surfaces with 1 3/4" thick edge banding	7649.00
PS-3148-O-PPDFA	Carrel work station, double faced, adder in oak 61" deep x 48 1/2" wide x 48" high, 1 1/8" thick intermediate panels with arched detailing at the top and bottom of the panels, 2" wide flat posts tapered on 2 sides from the bottom of the panel to 1 1/2" at the floor, 2 each 1 1/4" thick HPL work surface with 1 3/4" thick oak edge banding	5891.00
SHELF	For each book shelf at 210.00.	
SUFFIX -M	For maple change the suffix O to M and add 7 percent.	



# Park Avenue

## FULL PANEL CARRELS WITH SQUARE TAPERED LEGS

MODEL NUMBER	DESCRIPTION	LIST PRICE
PS-3136-O-FPSC	Elevated Panel Carrel work station starter in oak 31" deep x 38" wide x 48" high, 1 1/8" thick end panels with 2 1/2" high solid oak arched edge banding at the top and bottom of the end panels with horizontal center slat and 5" wide vertical slats, 2" flat end posts tapered on 2 sides from the bottom of the panel to 1 1/2" at the floor, 1 1/4" thick HPL work surface with 1 3/4" wide oak edge banding	4552.00
PS-3136-O-FPSCA	Carrel work station adder in oak 31" deep x 36 1/2" wide x 48" high, 1 1/8" thick intermediate panel with arched detailing at the top and bottom of the panel, 2" flat end posts tapered on 2 sides from the bottom of the panel to 1 1/2" at the floor, 1 1/4" thick HPL work surface with 1 3/4" thick oak edge banding	3642.00
PS-3150-O-FPSC	Elevated Panel Carrel work station starter in oak 31" deep x 50" wide x 48" high, 1 1/8" thick end panels with 2 1/2" high solid oak arched edge banding at the top and bottom of the end panels with horizontal center slat and 5" wide vertical slats, 2" flat end posts tapered on 2 sides from the bottom of the panel to 1 1/2" at the floor, 1 1/4" thick HPL work surface with 1 3/4" wide oak edge banding	5164.00
PS-3148-O-FPSCA	Carrel work station adder in oak 31" deep x 48 1/2" wide x 48" high, 1 1/8" thick intermediate panel with arched detailing at the top and bottom of the panel, 2" flat end posts tapered on 2 sides from the bottom of the panel to 1 1/2" at the floor, 1 1/4" thick HPL work surface with 1 3/4" thick oak edge banding	4252.00
PS-3136-O-FPDF	Elevated Panel Carrel work station, double faced, starter in oak 61" deep x 38" wide x 48" high, 1 1/8" thick end panels with 2 1/2" high solid oak arched edge banding at the top and bottom of the end panels with horizontal center slat and 5" wide vertical slats, 2" flat end posts tapered from the bottom of the panel to 1 1/2" at the floor, 2 each 1 1/4" thick HPL work surfaces with 1 3/4" thick oak edge banding	7633.00
PS-3136-O-FPDFA	Carrel work station, double faced, adder in oak 61" deep x 36 1/2" wide x 48" high, 1 1/8" thick intermediate panels with arched detailing at the top and bottom of the panel, 2" flat end posts tapered from the bottom of the to 1 1/2" at the floor, 2 each 1 1/4" thick HPL work surfaces with 1 3/4" thick oak edge banding	6191.00

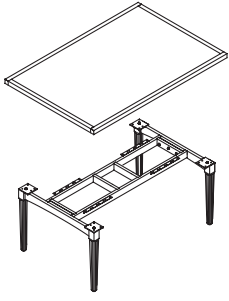


# Park Avenue

## FULL PANEL CARRELS WITH SQUARE TAPERED LEGS

MODEL NUMBER	DESCRIPTION	LIST PRICE
PS-3148-O-FPDF	Elevated Panel Carrel work station, double faced, starter in oak 61" deep x 50" wide x 48" high, 1 1/8" thick end panels with 2 1/2" high solid oak arched edge banding at the top and bottom of the end panels with horizontal center slat and 5" wide vertical slats, 2" flat end posts tapered from the bottom of the panel to 1 1/2" at the floor, 2 each 1 1/4" thick HPL work surfaces with 1 3/4" thick oak edge banding	8101.00
PS-3148-O-FPDFA	Carrel work station, double faced, adder in oak 61" deep x 48 1/2" wide x 48" high, 1 1/8" thick intermediate panels with arched detailing at the top and bottom of the panels, 2" flat end posts tapered to 1 1/2" at the bottom, 1 1/4" thick HPL work surfaces with 1 3/4" thick oak edge banding	6707.00
SHELF	For each book shelf at 210.00.	
SUFFIX-M	For oak study carrels change suffix M to O and add 7 percent.	

# Park Avenue



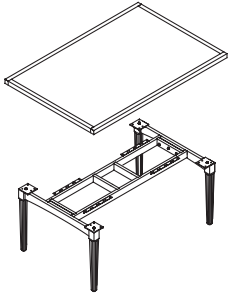
## READING TABLES WITH ROUND TAPERED LEGS

MODEL NUMBER	DESCRIPTION	LIST PRICE
PR-3648-O-T	Table 36" deep x 48" wide in oak, HPL top 1 1/4" thick with 1 3/4" W x 1 5/8" H drop edge banding, 3" arched aprons at each end, 2 3/4" solid oak round legs tapered to 1 1/2" at the bottom with metal leg plates, ladder keel for structural support	3569.00
PR-3060-O-T	Table 30" deep x 60" wide in oak, HPL top 1 1/4" thick with 1 3/4" W x 1 5/8" H drop edge banding, 3" arched aprons at each end, 2 3/4" solid oak round legs tapered to 1 1/2" at the bottom with metal leg plates, ladder keel for structural support	3810.00
PR-3660-O-T	Table 36" deep x 60" wide in oak, HPL top 1 1/4" thick with 1 3/4" W x 1 5/8" H drop edge banding, 3" arched aprons at each end, 2 3/4" solid oak round legs tapered to 1 1/2" at the bottom with metal leg plates, ladder keel for structural support	3901.00
PR-3672-O-T	Table 36" deep x 72" wide in oak, HPL top 1 1/4" thick with 1 3/4" W x 1 5/8" H drop edge banding, 3" arched aprons at each end, 2 3/4" solid oak round legs tapered to 1 1/2" at the bottom with metal leg plates, ladder keel for structural support	4267.00
PR-3696-O-T	Table 36" deep x 96" wide in oak, HPL top 1 1/4" thick with 1 3/4" W x 1 5/8" H drop edge banding, 3" arched aprons at each end, 2 3/4" solid oak round legs tapered to 1 1/2" at the bottom with metal leg plates, ladder keel for structural support	4906.00
PR-4272-O-T	Table 42" deep x 72" wide in oak, HPL top 1 1/4" thick with 1 3/4" W x 1 5/8" H drop edge banding, 3" arched aprons at each end, 2 3/4" solid oak round legs tapered to 1 1/2" at the bottom with metal leg plates, ladder keel for structural support	4427.00
PR-4296-O-T	Table 42" deep x 96" wide in oak, HPL top 1 1/4" thick with 1 3/4" W x 1 5/8" H drop edge banding, 3" arched aprons at each end, 2 3/4" solid oak round legs tapered to 1 1/2" at the bottom with metal leg plates, ladder keel for structural support	5105.00
PR-4872-O-T	Table 48" deep x 72" wide in oak, HPL top 1 1/4" thick with 1 3/4" W x 1 5/8" H drop edge banding, 3" arched aprons at each end, 2 3/4" solid oak round legs tapered to 1 1/2" at the bottom with metal leg plates, ladder keel for structural support	4586.00



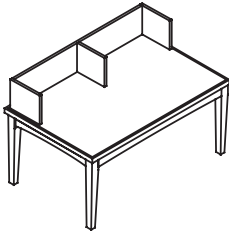
# Park Avenue

## READING TABLES WITH ROUND TAPERED LEGS



MODEL NUMBER	DESCRIPTION	LIST PRICE
PR-4896-O-T	Table 48" deep x 96" wide in oak, HPL top 1 1/4" thick with 1 3/4" W x 1 5/8" H drop edge banding, 3" arched aprons at each end, 2 3/4" solid oak round legs tapered to 1 1/2" at the bottom with metal leg plates, ladder keel for structural support	5248.00
PR-4242-O-T	Table 42" square in oak, HPL top 1 1/4" thick with 1 3/4" W x 1 5/8" H drop edge banding. 3" arched aprons at each end, 2 3/4" solid oak round legs tapered to 1 1/2" at the bottom with metal leg plates, ladder keel for structural support	3335.00
PR-4848-O-T	Table 48" square in oak, HPL top 1 1/4" thick with 1 3/4" W x 1 5/8" H drop edge banding, 3" arched aprons at each end, 2 3/4" solid oak round legs tapered to 1 1/2" at the bottom with metal leg plates, ladder keel for structural support	3383.00
PR-42R-O-T	Table 42" round in oak, HPL top 1 1/4" thick with 1 3/4" W x 1 5/8" H drop edge banding, 3" arched aprons, 2 3/4" solid oak round legs tapered to 1 1/2" at the bottom with metal leg plates	3793.00
PR-48R-O-T	Table 48" round in oak, HPL top 1 1/4" thick with 1 3/4" W x 1 5/8" H drop edge banding, 3" arched aprons, 2 3/4" solid oak round legs tapered to 1 1/2" at the bottom with metal leg plates	4145.00
PR-60R-O-T	Table 60" round in oak, HPL top 1 1/4" thick with 1 3/4" W x 1 5/8" H drop edge banding, 3" arched aprons, 2 3/4" solid oak round legs tapered to 1 1/2" at the bottom with metal leg plates	4466.00
SUFFIX -M	For maple change the suffix O to M and add 7 percent.	

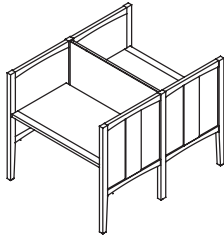
# Park Avenue



## IT TABLES WITH MONITOR RACKS AND ROUND TAPERED LEGS

MODEL NUMBER	DESCRIPTION	LIST PRICE
PR-3036-O-IT	Information technology table 30" deep x 36" wide in oak, HPL top 1 1/4" T with 1 3/4" W x 1 5/8" H drop edge banding, 3" arched aprons at the ends, 2 3/4" solid oak round legs tapered to 1 1/2" at the bottom, metal leg plates and ladder keel, 10" high monitor rack at the back of the table and extending forward 10" at each end	3872.00
PR-3048-O-IT	Information technology table 30" deep x 48" wide in oak, HPL top 1 1/4" T with 1 3/4" W x 1 5/8" H drop edge banding, 3" arched aprons at the ends, 2 3/4" solid oak round legs tapered to 1 1/2" at the bottom, metal leg plates and ladder keel, 10" high monitor rack at the back of the table and extending forward 10" at each end	4019.00
PR-3060-O-IT	Information technology table 30" deep x 60" wide in oak, HPL top 1 1/4" T with 1 3/4" W x 1 5/8" H drop edge banding, 3" arched aprons at the ends, 2 3/4" solid oak round legs tapered to 1 1/2" at the bottom, metal leg plates and ladder keel, 10" high monitor rack at the back of the table and extending forward 10" at each end	4348.00
PR-3072-O-IT	Information technology table 30" deep x 72" wide in oak, HPL top 1 1/4" T with 1 3/4" W x 1 5/8" H drop edge banding, 3" arched aprons at the ends, 2 3/4" solid oak round legs tapered to 1 1/2" at the bottom, metal leg plates and ladder keel, 10" high monitor rack at the back of the table and extending forward 10" at each end	4762.00
PR-3072-O-IT2	Information technology table 30" deep x 72" wide in oak, HPL top 1 1/4" T with 1 3/4" W x 1 5/8" H drop edge banding, 3" arched aprons at the ends, 2 3/4" solid oak round legs tapered to 1 1/2" at the bottom, metal leg plates and ladder keel, 10" high monitor rack at the back of the table and extending forward 10" at each end and the center	4879.00
PR-3096-O-IT2	Information technology table 30" deep x 96" wide in oak, HPL top 1 1/4" T with 1 3/4" W x 1 5/8" H drop edge banding, 3" arched aprons at the ends, 2 3/4" solid oak round legs tapered to 1 1/2" at the bottom, metal leg plates and ladder keel, 10" high monitor rack at the back of the table and extending forward 10" at each end and the center	5607.00
PR-3096-O-IT3	Information technology table 30" deep x 96" wide in oak, HPL top 1 1/4" T with 1 3/4" W x 1 5/8" H drop edge banding, 3" arched aprons at the ends, 2 3/4" solid oak round legs tapered to 1 1/2" at the bottom, metal leg plates and ladder keel, 10" high monitor rack at the back of the table and extending forward 10" at each end and 2 center points dividing the table into 3 equal work spaces	5690.00

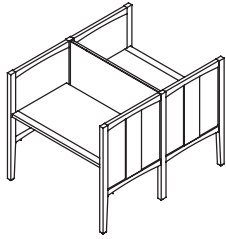




# Park Avenue

## POST AND PANEL CARRELS WITH ROUND TAPERED LEGS

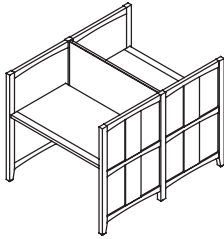
MODEL NUMBER	DESCRIPTION	LIST PRICE
PR-3136-O-PPSC	Elevated Panel Carrel work station starter in oak 31" deep x 38" wide x 48" high, 1 1/8" thick end panels with 2 1/2" high solid oak arched edge banding at the top and bottom of the panel with 5" wide center slat, 2" round posts tapered from the bottom of the panel to 1 1/2" at the floor, 1 1/4" thick HPL work surface with 1 3/4" thick oak edge banding	3844.00
PR-3136-O-PPSCA	Carrel work station adder in oak 31" deep x 36 1/2" wide x 48" high, 1 1/8" thick intermediate panel with arched detailing at the top and bottom of the panel, 2" round posts tapered from the bottom of the panel to 1 1/2" at the floor, 1 1/4" thick HPL work surface with 1 3/4" thick edge oak banding	2974.00
PR-3150-O-PPSC	Elevated Panel Carrel work station starter in oak 31" deep x 50" wide x 48" high, 1 1/8" thick end panels with 2 1/2" high solid oak arched edge banding at the top and bottom of the panel with 5" wide center slat, 2" round posts tapered from the bottom of the panel to 1 1/2" at the floor, 1 1/4" thick HPL work surface with 1 3/4" thick oak edge banding	4057.00
PR-3148-O-PPSCA	Carrel work station adder in oak 31" deep x 48 1/2" wide x 48" high, 1 1/8" thick intermediate panel with arched detailing at the top and bottom of the panel, 2" round posts tapered from the bottom of the panel to 1 1/2" at the floor, 1 1/4" thick HPL work surface with 1 3/4" thick oak edge banding	3193.00
PR-3136-O-PPDF	Elevated Panel Carrel work station, double faced, starter in oak 61" deep x 38" wide x 48" high, 1 1/8" thick end panels with 2 1/2" high solid oak arched edge banding at top and bottom of panels with 5" wide vertical slat, 2" round posts tapered from the bottom of the panel to 1 1/2" at the floor, 2 each 1 1/4" thick HPL work surfaces with 1 3/4" thick edge banding	6364.00
PR-3136-O-PPDFA	Carrel work station, double faced, adder in oak 61" deep x 36 1/2" wide x 48" high, 1 1/8" thick intermediate panels with arched detailing at the top and bottom of the panel, 2" round posts tapered from the bottom of the panel to 1 1/2" at the floor, 2 each 1 1/4" thick HPL work surfaces with 1 3/4" thick oak edge banding drop	5344.00



# Park Avenue

## POST AND PANEL CARRELS WITH ROUND TAPERED LEGS

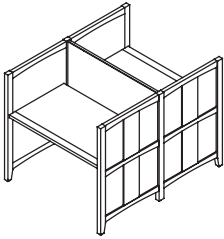
MODEL NUMBER	DESCRIPTION	LIST PRICE
PR-3148-O-PPDF	Elevated Panel Carrel work station, double faced, starter in oak 61" deep x 50" wide x 48" high, 1 1/8" thick end panels with 2 1/2" high solid oak arched edge banding at top and bottom of panels with 5" wide vertical slat, 2" round posts tapered from the bottom of the panel to 1 1/2" at the floor, 2 each 1 1/4" thick HPL work surfaces with 1 3/4" thick edge oak banding	7607.00
PR-3148-O-PPDFA	Carrel work station, double faced, adder in oak 61" deep x 48 1/2" wide x 48" high, 1 1/8" thick intermediate panels with arched detailing at the top and bottom of the panel at top and bottom of panels, 2" round posts tapered from the bottom of the panel to 1 1/2" at the floor, 2 each 1 1/4" thick HPL work surfaces with 1 3/4" thick edge oak banding	6268.00
SHELF	For each book shelf at 210.00.	
SUFFIX -M	For maple change the suffix O to M and add 7 percent.	



# Park Avenue

## FULL PANEL CARRELS WITH ROUND TAPERED LEGS

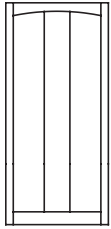
MODEL NUMBER	DESCRIPTION	LIST PRICE
PR-3136-O-FPSC	Elevated Panel Carrel work station starter in oak 31" deep x 38" wide x 48" high, 1 1/8" thick end panels with 2 1/2" high solid oak arched edge banding at the top and bottom of the end panels with horizontal center slat and 5" wide vertical slats, 2" round end posts tapered from the bottom of the panel to 1 1/2" at the floor, 1 1/4" thick HPL work surface with 1 3/4" wide oak edge banding	4285.00
PR-3136-O-FPSCA	Carrel work station adder in oak 31" deep x 36 1/2" wide x 48" high, 1 1/8" thick intermediate panel with arched detailing at the top and bottom of the panel, 2" round posts tapered from the bottom of the panel to 1 1/2" at the floor, 1 1/4" thick HPL work surface with 1 3/4" thick oak edge banding	3467.00
PR-3150-O-FPSC	Elevated Panel Carrel work station starter in oak 31" deep x 50" wide x 48" high, 1 1/8" thick end panels with 2 1/2" high solid oak arched edge banding at the top and bottom of the end panels with horizontal center slat and 5" wide vertical slats, 2" round end posts tapered from the bottom of the panel to 1 1/2" at the floor, 1 1/4" thick HPL work surface with 1 3/4" wide oak edge banding	4546.00
PR-3148-O-FPSCA	Carrel work station adder in oak 31" deep x 48 1/2" wide x 48" high, 1 1/8" thick intermediate panel with arched detailing at the top and bottom of the panel, 2" round posts tapered from the bottom of the panel to 1 1/2" at the floor, 1 1/4" thick HPL work surface with 1 3/4" thick oak edge banding	3725.00
PR-3136-O-FPDF	Elevated Panel Carrel work station, double faced, starter in oak 61" deep x 38" wide x 48" high, 1 1/8" thick end panels with 2 1/2" high solid oak arched edge banding at the top and bottom of the end panels with horizontal center slat and 5" wide vertical slats, 2" round posts tapered from the bottom of the panel to 1 1/2" at the floor, 2 each 1 1/4" thick work surfaces with 1 3/4" thick oak edge banding	7126.00
PR-3136-O-FPDFA	Carrel work station, double faced, adder in oak 61" deep x 36 1/2" wide x 48" high, 1 1/8" thick intermediate panels with arched detailing at the top and bottom of the panel, 2" round posts tapered from the bottom of the to 1 1/2" at the floor, 2 each 1 1/4" thick HPL work surfaces with 1 3/4" thick oak edge banding	5786.00



# Park Avenue

## FULL PANEL CARRELS WITH ROUND TAPERED LEGS

MODEL NUMBER	DESCRIPTION	LIST PRICE
PR-3148-O-FPDF	Elevated Panel Carrel work station, double faced, starter in oak 61" deep x 50" wide x 48" high, 1 1/8" thick end panels with 2 1/2" high solid oak arched edge banding at the top and bottom of the end panel with horizontal slat and 5" wide vertical slats, 2" round posts tapered from the bottom of the panel to 1 1/2" at the floor, 2 each	7607.00
	1 1/4" thick HPL work surfaces with 1 3/4" thick oak edge banding	
PR-3148-O-FPDFA	Carrel work station, double faced, adder in oak 61" deep x 48 1/2" wide x 48" high, 1 1/8" thick intermediate panels with arched detailing at the top and bottom of the panel, 2" round posts tapered to 1 1/2" at the bottom, 1 1/4" thick HPL work surfaces with 1 3/4" thick oak edge banding	6268.00
SHELF	For each book shelf at 210.00.	
SUFFIX -M	For maple change the suffix O to M and add 7 percent.	

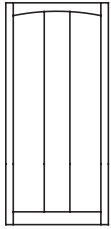


# Park Avenue

## END PANELS IN OAK

MODEL NUMBER	DESCRIPTION	LIST PRICE
P-4412-DF-O	End panel 44" H x 12" W, 1 1/8" T with 2 1/2" solid oak arched edge banding at top and bottom edges with 2" T edge banding on vertical edges, 5" W center pilaster	912.00
P-4413-DF-O	End panel 44" H x 13" W, 1 1/8" T with 2 1/2" solid oak arched edge banding at top and bottom edges with 2" T edge banding on vertical edges, 5" W center pilaster	973.00
P-4414-DF-O	End panel 44" H x 14" W, 1 1/8" T with 2 1/2" solid oak arched edge banding at top and bottom edges with 2" T edge banding on vertical edges, 5" W center pilaster	1033.00
P-4416-DF-O	End panel 44" H x 16" W, 1 1/8" T with 2 1/2" solid oak arched edge banding at top and bottom edges with 2" T edge banding on vertical edges, 5" W center pilaster	1088.00
P-4418-DF-O	End panel 44" H x 18" W, 1 1/8" T with 2 1/2" solid oak arched edge banding at top and bottom edges with 2" T edge banding on vertical edges, 5" W center pilaster	1146.00
P-4420-DF-O	End panel 44" H x 20" W, 1 1/8" T with 2 1/2" solid oak arched edge banding at top and bottom edges with 2" T edge banding on vertical edges, 5" W center pilaster	1223.00
P-4422-DF-O	End panel 44" H x 22" W, 1 1/8" T with 2 1/2" solid oak arched edge banding at top and bottom edges with 2" T edge banding on vertical edges, 5" W center pilaster	1298.00
P-4424-DF-O	End panel 44" H x 24" W, 1 1/8" T with 2 1/2" solid oak arched edge banding at top and bottom edges with 2" T edge banding on vertical edges, 5" W center pilaster	1338.00
P-4425-DF-O	End panel 44" H x 25" W, 1 1/8" T with 2 1/2" solid oak arched edge banding at top and bottom edges with 2" T edge banding on vertical edges, 5" W center pilaster	1396.00
P-4428-DF-O	End panel 44" H x 28" W, 1 1/8" T with 2 1/2" solid oak arched edge banding at top and bottom edges with 2" T edge banding on vertical edges, 5" W center pilaster	1453.00
P-4432-DF-O	End panel 44" H x 32" W, 1 1/8" T with 2 1/2" solid oak arched edge banding at top and bottom edges with 2" T edge banding on vertical edges, 5" W center pilaster	1432.00
P-5012-DF-O	End panel 50" H x 12" W, 1 1/8" T with 2 1/2" solid oak arched edge banding at top and bottom edges with 2" T edge banding on vertical edges, 5" W center pilaster	977.00

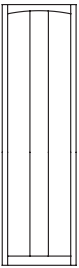




# Park Avenue

## END PANELS IN OAK

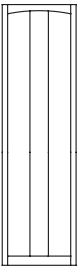
MODEL NUMBER	DESCRIPTION	LIST PRICE
P-5013-DF-O	End panel 50" H x 13" W, 1 1/8" T with 2 1/2" solid oak arched edge banding at top and bottom edges with 2" T edge banding on vertical edges, 5" W center pilaster	1000.00
P-5014-DF-O	End panel 50" H x 14" W, 1 1/8" T with 2 1/2" solid oak arched edge banding at top and bottom edges with 2" T edge banding on vertical edges, 5" W center pilaster	1024.00
P-5016-DF-O	End panel 50" H x 16" W, 1 1/8" T with 2 1/2" solid oak arched edge banding at top and bottom edges with 2" T edge banding on vertical edges, 5" W center pilaster	1070.00
P-5018-DF-O	End panel 50" H x 18" W, 1 1/8" T with 2 1/2" solid oak arched edge banding at top and bottom edges with 2" T edge banding on vertical edges, 5" W center pilaster	1171.00
P-5020-DF-O	End panel 50" H x 20" W, 1 1/8" T with 2 1/2" solid oak arched edge banding at top and bottom edges with 2" T edge banding on vertical edges, 5" W center pilaster	1284.00
P-5022-DF-O	End panel 50" H x 22" W, 1 1/8" T with 2 1/2" solid oak arched edge banding at top and bottom edges with 2" T edge banding on vertical edges, 5" W center pilaster	1318.00
P-5024-DF-O	End panel 50" H x 24" W, 1 1/8" T with 2 1/2" solid oak arched edge banding at top and bottom edges with 2" T edge banding on vertical edges, 5" W center pilaster	1356.00
P-5025-DF-O	End panel 50" H x 25" W, 1 1/8" T with 2 1/2" solid oak arched edge banding at top and bottom edges with 2" T edge banding on vertical edges, 5" W center pilaster	1411.00
P-5028-DF-O	End panel 50" H x 28" W, 1 1/8" T with 2 1/2" solid oak arched edge banding at top and bottom edges with 2" T edge banding on vertical edges, 5" W center pilaster	1478.00
P-5032-DF-O	End panel 50" H x 32" W, 1 1/8" T with 2 1/2" solid oak arched edge banding at top and bottom edges with 2" T edge banding on vertical edges, 5" W center pilaster	1714.00
P-6612-DF-O	End panel 66" H x 12" W, 1 1/8" T with 2 1/2" solid oak arched edge banding at top and bottom edges with 2" T edge banding on vertical edges, 5" W center pilaster	1109.00
P-6613-DF-O	End panel 66" H x 13" W, 1 1/8" T with 2 1/2" solid oak arched edge banding at top and bottom edges with 2" T edge banding on vertical edges, 5" W center pilaster	1129.00



# Park Avenue

## END PANELS IN OAK

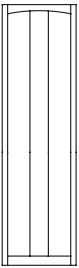
MODEL NUMBER	DESCRIPTION	LIST PRICE
P-6614-DF-O	End panel 66" H x 14" W, 1 1/8" T with 2 1/2" solid oak arched edge banding at top and bottom edges with 2" T edge banding on vertical edges, 5" W center pilaster	1154.00
P-6616-DF-O	End panel 66" H x 16" W, 1 1/8" T with 2 1/2" solid oak arched edge banding at top and bottom edges with 2" T edge banding on vertical edges, 5" W center pilaster	1195.00
P-6618-DF-O	End panel 66" H x 18" W, 1 1/8" T with 2 1/2" solid oak arched edge banding at top and bottom edges with 2" T edge banding on vertical edges, 5" W center pilaster	1279.00
P-6620-DF-O	End panel 66" H x 20" W, 1 1/8" T with 2 1/2" solid oak arched edge banding at top and bottom edges with 2" T edge banding on vertical edges, 5" W center pilaster	1464.00
P-6622-DF-O	End panel 66" H x 22" W, 1 1/8" T with 2 1/2" solid oak arched edge banding at top and bottom edges with 2" T edge banding on vertical edges, 5" W center pilaster	1518.00
P-6624-DF-O	End panel 66" H x 24" W, 1 1/8" T with 2 1/2" solid oak arched edge banding at top and bottom edges with 2" T edge banding on vertical edges, 5" W center pilaster	1591.00
P-6625-DF-O	End panel 66" H x 25" W, 1 1/8" T with 2 1/2" solid oak arched edge banding at top and bottom edges with 2" T edge banding on vertical edges, 5" W center pilaster	1626.00
P-6628-DF-O	End panel 66" H x 28" W, 1 1/8" T with 2 1/2" solid oak arched edge banding at top and bottom edges with 2" T edge banding on vertical edges, 5" W center pilaster	1680.00
P-6632-DF-O	End panel 66" H x 32" W, 1 1/8" T with 2 1/2" solid oak arched edge banding at top and bottom edges with 2" T edge banding on vertical edges, 5" W center pilaster	1751.00
P-8412-DF-O	End panel 84" H x 12" W, 1 1/8" T with 2 1/2" solid oak arched edge banding at top and bottom edges with 2" T edge banding on vertical edges, 5" W center pilaster	1412.00
P-8413-DF-O	End panel 84" H x 13" W, 1 1/8" T with 2 1/2" solid oak arched edge banding at top and bottom edges with 2" T edge banding on vertical edges, 5" W center pilaster	1434.00
P-8414-DF-O	End panel 84" H x 14" W, 1 1/8" T with 2 1/2" solid oak arched edge banding at top and bottom edges with 2" T edge banding on vertical edges, 5" W center pilaster	1476.00



# Park Avenue

## END PANELS IN OAK

MODEL NUMBER	DESCRIPTION	LIST PRICE
P-8416-DF-O	End panel 84" H x 16" W, 1 1/8" T with 2 1/2" solid oak arched edge banding at top and bottom edges with 2" T edge banding on vertical edges, 5" W center pilaster	1516.00
P-8418-DF-O	End panel 84" H x 18" W, 1 1/8" T with 2 1/2" solid oak arched edge banding at top and bottom edges with 2" T edge banding on vertical edges, 5" W center pilaster	1698.00
P-8420-DF-O	End panel 84" H x 20" W, 1 1/8" T with 2 1/2" solid oak arched edge banding at top and bottom edges with 2" T edge banding on vertical edges, 5" W center pilaster	1871.00
P-8422-DF-O	End panel 84" H x 22" W, 1 1/8" T with 2 1/2" solid oak arched edge banding at top and bottom edges with 2" T edge banding on vertical edges, 5" W center pilaster	1960.00
P-8424-DF-O	End panel 84" H x 24" W, 1 1/8" T with 2 1/2" solid oak arched edge banding at top and bottom edges with 2" T edge banding on vertical edges, 5" W center pilaster	2052.00
P-8425-DF-O	End panel 84" H x 25" W, 1 1/8" T with 2 1/2" solid oak arched edge banding at top and bottom edges with 2" T edge banding on vertical edges, 5" W center pilaster	2084.00
P-8428-DF-O	End panel 84" H x 28" W, 1 1/8" T with 2 1/2" solid oak arched edge banding at top and bottom edges with 2" T edge banding on vertical edges, 5" W center pilaster	2138.00
P-8432-DF-O	End panel 84" H x 32" W, 1 1/8" T with 2 1/2" solid oak arched edge banding at top and bottom edges with 2" T edge banding on vertical edges, 5" W center pilaster	2188.00
P-9012-DF-O	End panel 90" H x 12" W, 1 1/8" T with 2 1/2" solid oak arched edge banding at top and bottom edges with 2" T edge banding on vertical edges, 5" W center pilaster	1445.00
P-9013-DF-O	End panel 90" H x 13" W, 1 1/8" T with 2 1/2" solid oak arched edge banding at top and bottom edges with 2" T edge banding on vertical edges, 5" W center pilaster	1475.00
P-9014-DF-O	End panel 90" H x 14" D, 1 1/8" T with 2 1/2" solid oak arched edge banding at top and bottom edges with 2" T edge banding on vertical edges, 5" W center pilaster	1520.00
P-9016-DF-O	End panel 90" H x 16" D, 1 1/8" T with 2 1/2" solid oak arched edge banding at top and bottom edges with 2" T edge banding on vertical edges, 5" W center pilaster	1566.00

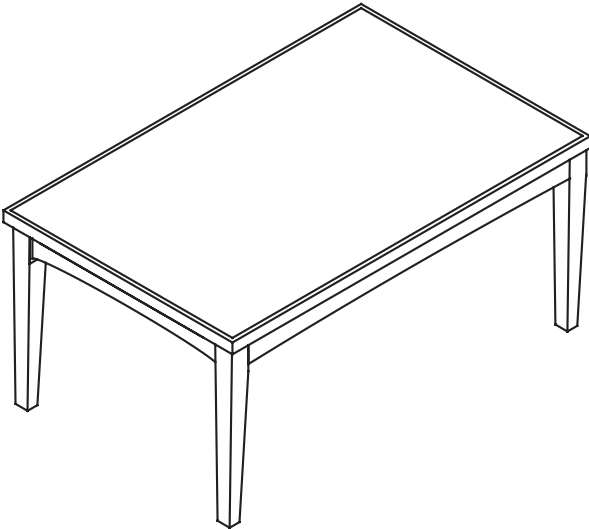


# Park Avenue

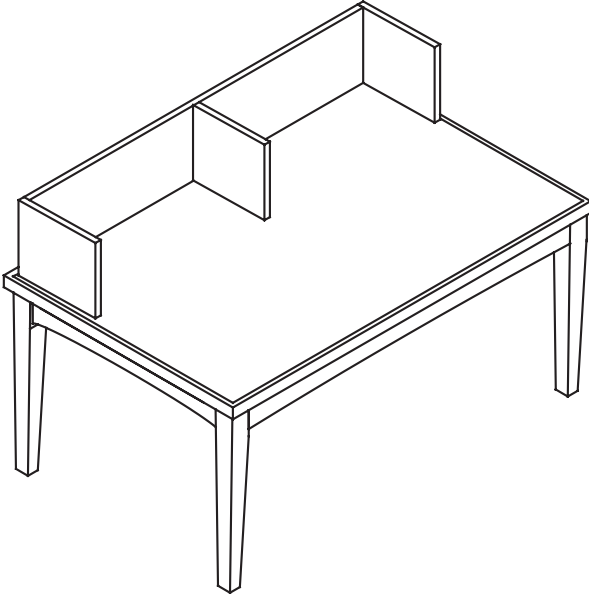
## END PANELS IN OAK

MODEL NUMBER	DESCRIPTION	LIST PRICE
P-9018-DF-O	End panel 90" H x 18" W, 1 1/8" T with 2 1/2" solid oak arched edge banding at top and bottom edges with 2" T edge banding on vertical edges, 5" W center pilaster	1888.00
P-9020-DF-O	End panel 90" H x 20" W, 1 1/8" T with 2 1/2" solid oak arched edge banding at top and bottom edges with 2" T edge banding on vertical edges, 5" W center pilaster	1979.00
P-9022-DF-O	End panel 90" H x 22" W, 1 1/8" T with 2 1/2" solid oak arched edge banding at top and bottom edges with 2" T edge banding on vertical edges, 5" W center pilaster	2052.00
P-9024-DF-O	End panel 90" H x 24" W, 1 1/8" T with 2 1/2" solid oak arched edge banding at top and bottom edges with 2" T edge banding on vertical edges, 5" W center pilaster	2105.00
P-9025-DF-O	End panel 90" H x 25" W, 1 1/8" T with 2 1/2" solid oak arched edge banding at top and bottom edges with 2" T edge banding on vertical edges, 5" W center pilaster	2140.00
P-9028-DF-O	End panel 90" H x 28" W, 1 1/8" T with 2 1/2" solid oak arched edge banding at top and bottom edges with 2" T edge banding on vertical edges, 5" W center pilaster	2195.00
P-9032-DF-O	End panel 90" H x 32" W, 1 1/8" T with 2 1/2" solid oak arched edge banding at top and bottom edges with 2" T edge banding on vertical edges, 5" W center pilaster	2232.00
SUFFIX-M	For maple change the suffix O to M and add 7 percent.	

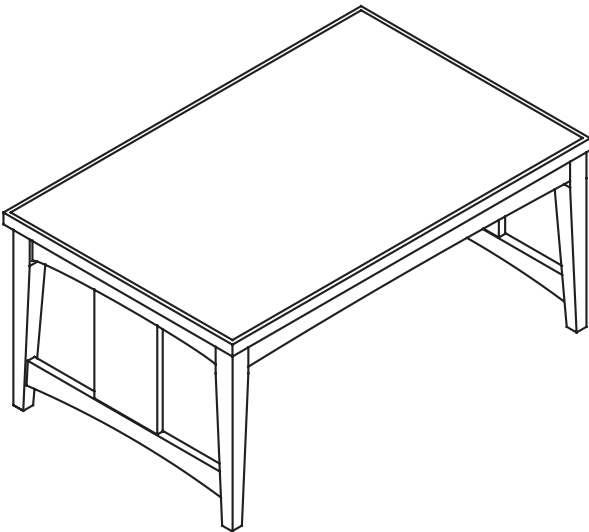
# Park Avenue



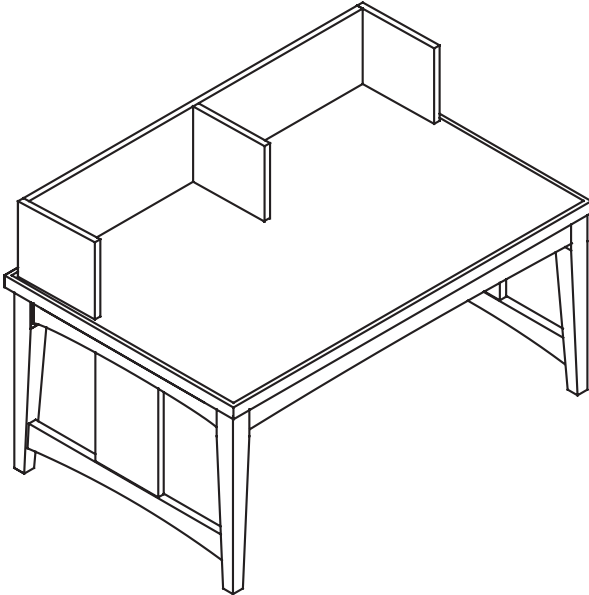
Reading table with square tapered legs and arched aprons



IT table with monitor racks, square tapered legs and arched aprons



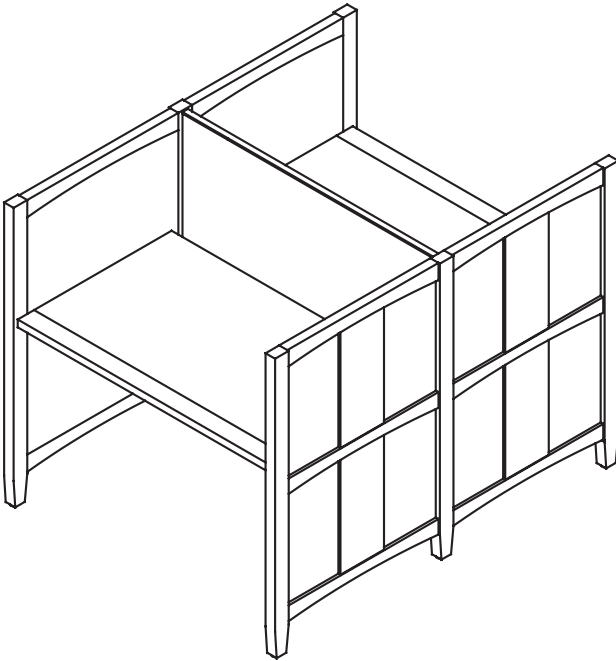
Reading table with square tapered legs, Sentinel ends and arched aprons



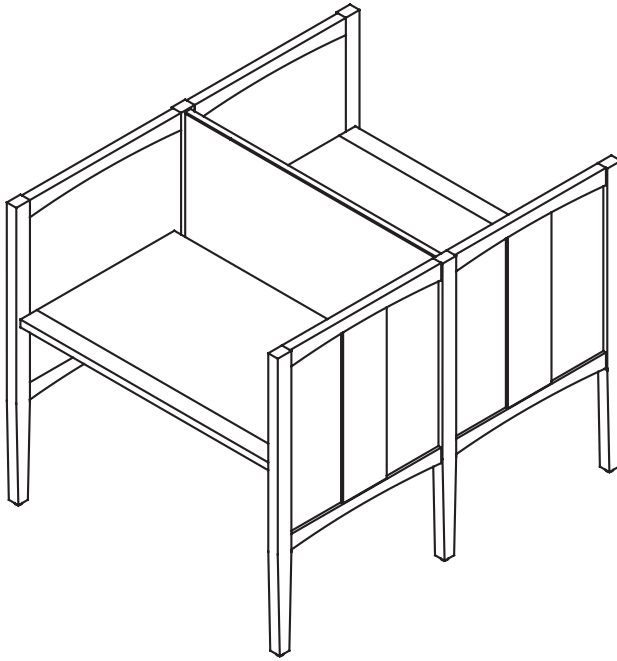
IT table with sentinel ends, monitor racks, square tapered legs and arched aprons



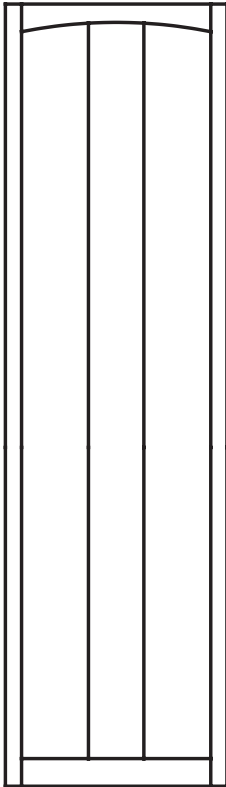
# Park Avenue



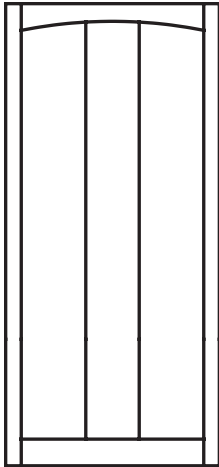
Full panel carrel with square tapered legs



Post and panel carrel with square tapered legs

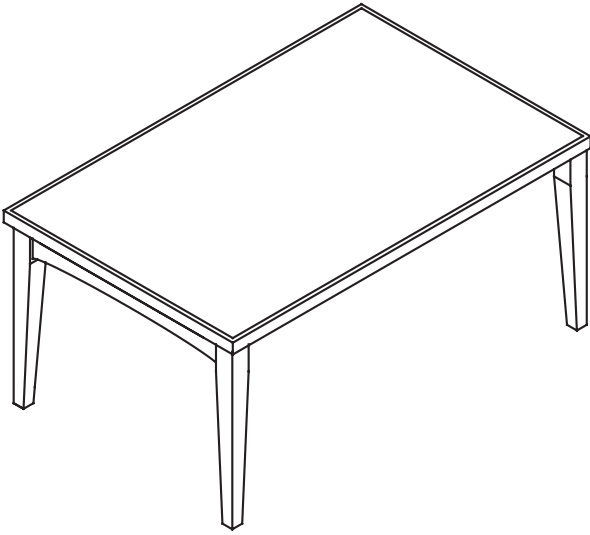


60" or above wood end panel



Wood end panel up to 48"

# Park Avenue



ADA Reading table with square tapered legs and arched aprons