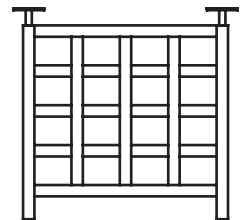
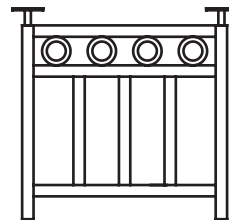
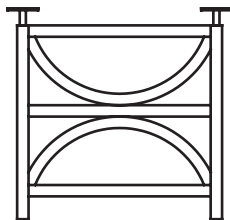
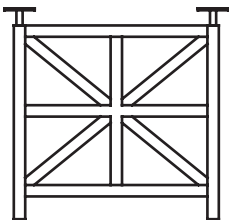
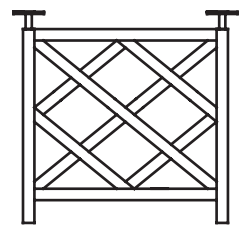
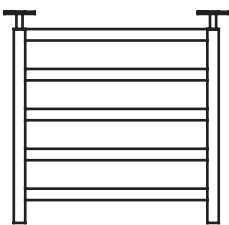
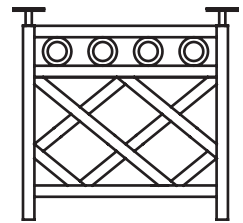
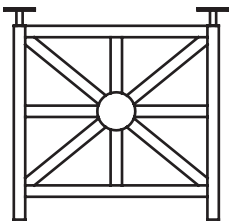




Revolution Products

OPTIONS TECHNICAL LIBRARY FURNITURE 2024 PRICE LIST

EFFECTIVE JUNE 1ST 2023, PLEASE ADD 17% TO ALL LIST PRICES IN THIS CATALOG.



Revolution Products
259 Whip O Will Drive
Clinton, SC 29325
864-201-1357

Options

Welcome to Options from Revolution Products, where a plethora of design details will create the perfect furniture for your signature library.

Effective July 1st 2021, please add 7% to all list prices in this catalog.

Index

I.	Terms and Conditions	
II.	Options Specification steps	Pgs. 3-7
	a. Edge band choices	Pg. 3
III.	Options Series Model Numbers	Pgs. 9-26
	a. Tables	Pgs. 9-10
	b. IT Tables	Pgs. 11-12
	c. IT adjustable height work stations	Pgs. 13-15
	d. Carrels	Pgs. 16-17
	e. IT stations and electrical	Pgs. 18-19
IV.	Options II Full Panel Carrels	Pgs. 17-18
V.	Options End Panels	Pgs. 19-26
V.	Options A-Frame Tables	Pgs. 27-28
VI.	Product Examples	Pgs. 29-41

Options

Terms of Sale: All prices are FOB East Syracuse, NY. Net 30 days from date of shipment. All prices are list and subject to change without notice. Interest of 2% per month will be assessed on past due invoices. Possession of price list does not constitute authority to purchase or sell products herein.

Taxes: All applicable taxes are extra. If a client is tax exempt please provide tax certificate.

Ordering: Orders must have all pertinent information provided before they will be processed and entered including model numbers, quantities and finish, laminate and fabric selections where appropriate. Please provide a requested by date, or not to ship before date on your order.

Warranty: All items are warranted for 5 years unless otherwise stated. Warranty is for initial purchaser and only valid as long as the product is owned by original customer. The warranty, which begins at date of manufacture, covers defects in materials and workmanship found during the normal usage of product during the warranty period. Revolution Products will at it's option repair or replace the defective product with a comparable component or product. Warranty does not cover any "Customers Own Material" used in manufacture. Except as stated above, Revolution Products makes no express or implied warranties as to any product and in particular makes no warranty of fitness for any particular use. At Revolution Products option, product repair, or replacement is the customer's exclusive remedy for any and all product defects.

BIFMA and ANSI Testing: All products offered by Revolution Products meet or exceed applicable BIFMA and ANSI testing standards.

New Accounts: New accounts can only be established with the approval of a Revolution Products representative. New accounts will be subject to special credit reference requirements and deposit terms before they are approved.

Options

Step #1: To begin the specification process select the edge band detail from the choices shown below. The number code for your choice must be placed in the blank of the model number as shown in the following example.

Example: O-(base code)3648-O-(EDGE BAND)-(grill code)



(1) Standard Edge
1-1/2" H x 3/4" T



(2) Accent Bevel
Edge 1-1/2" H x
3/4" T



(3) Radiused Edge
1-1/2" H x 3/4" T



(4) Bullnose Edge
1-1/2" H x 3/4" T



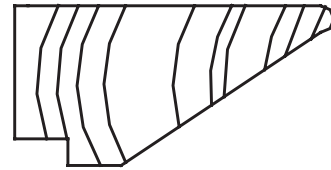
(5) Semi-bullnose
Edge 1-1/2" H x
3/4" T



(6) Traditional Edge
1-1/2" H x 3/4" T



(7) Beveled Edge
1-1/2" H x 1" T
Note: 5% Up charge

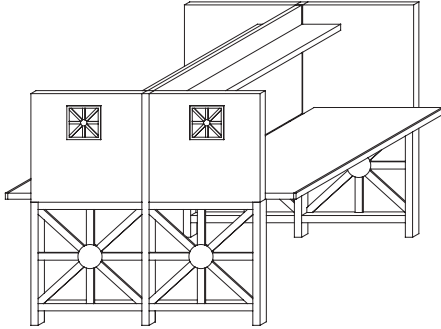


(8) Knife Edge
1-1/2" H x 3" T
Note: 10% Up charge

Options

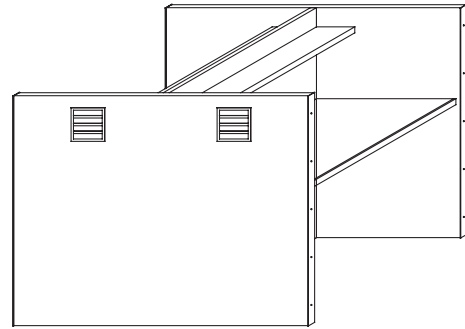
Step #2: Choose the (A) steel Options base design or the (B) wood Options II full panel design. Examples are shown below.

Options

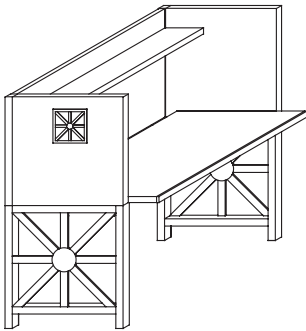


(A) Example of Options D/F carrel

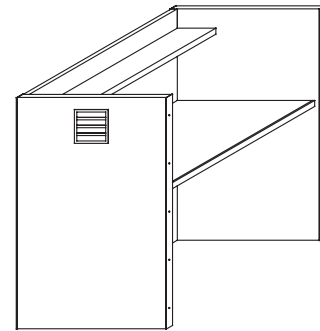
Options II



(B) Example of Options II D/F carrel



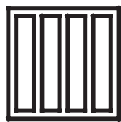
(A) Example of Options S/F carrel



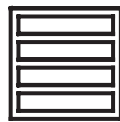
(B) Example of Options II S/F carrel

Step #3: Select a decorative metal grill from the following standards and enter the appropriate letter code in the model number blank as shown in the example:

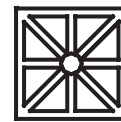
Example: O-(base code)3648-O-(edge band)-(GRILL CODE)



Verticals Grill (GV)



Horizontals Grill (GH)



Roman Grid Grill (GR)

No Grill Option (GN)

Model numbers for (A) Options steel base furniture are shown on pages 4 - 15

Model numbers for (B) Options II panel style furniture are shown on pages 16-17

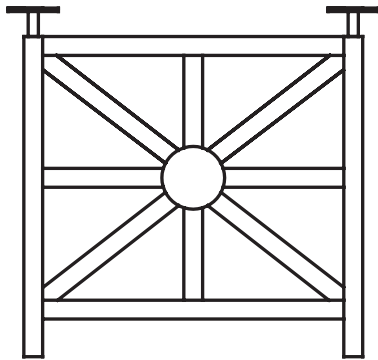
Model numbers for end panels are shown on pages 18-22

Options

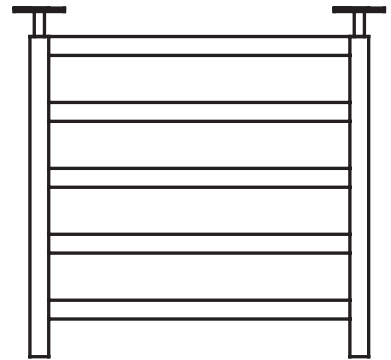
Step #4: For the Options series, select one of the following base designs. Please place the appropriate letter code for the base of your choice in the blank of the model number. For Options II please proceed to page 16 for model numbers.

Example: O-(Letter Code)3648-O
Example: O-(**BASE CODE**)3648-O-(edge band)-(grill code)

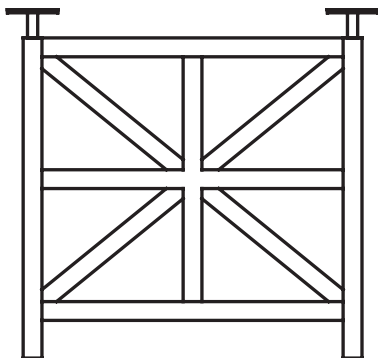
ROMAN GRID (RG)



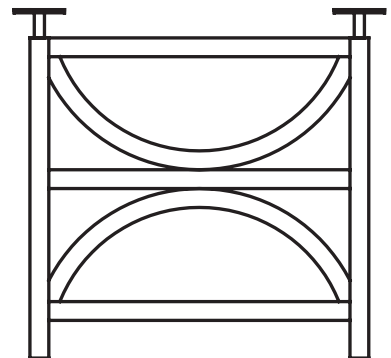
HORIZONTAL (HO)



CROSSINGS (CR)



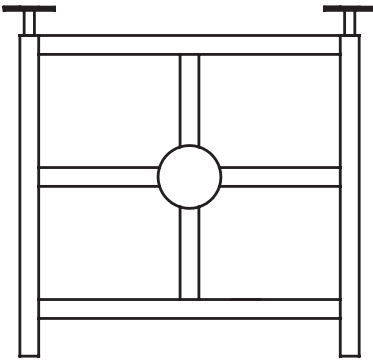
ARC (AR)



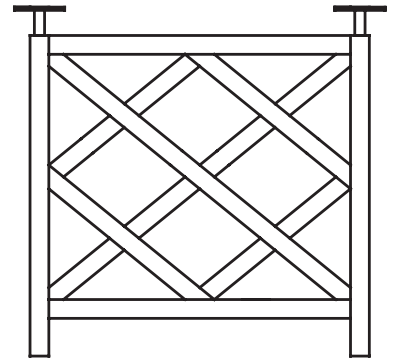
Choices continued on next page

Options

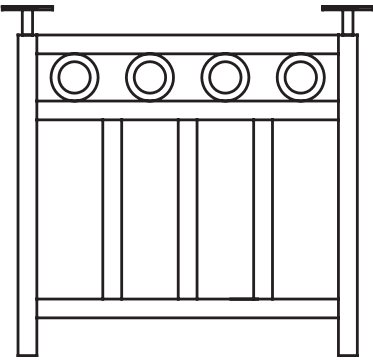
QUADRANT (QU)



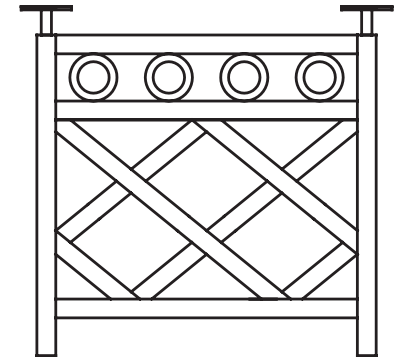
TRELLIS (TR)



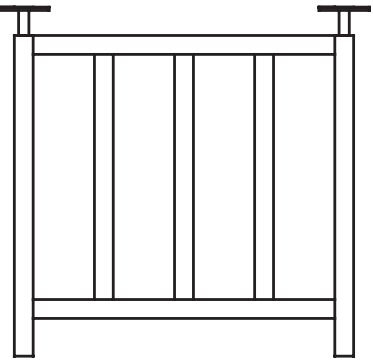
VISION (VI)



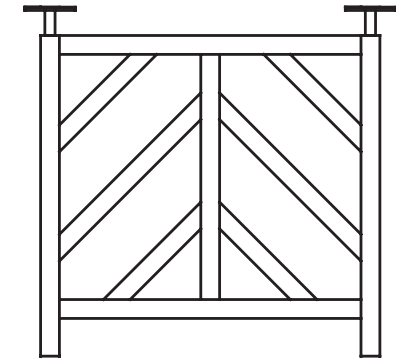
DEGREE (DE)



VERTICAL (VE)



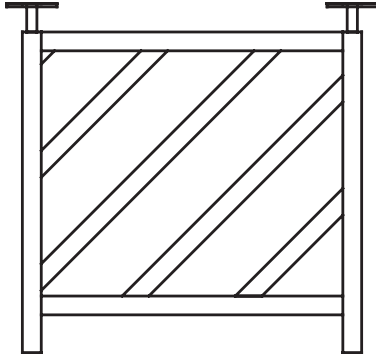
CHEVRON (CH)



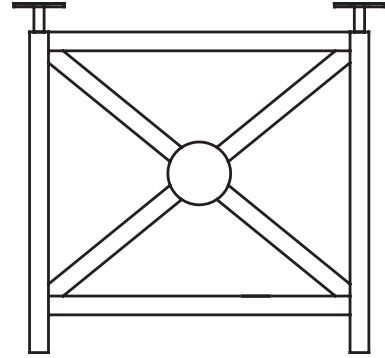
Choices continued on next page

Options

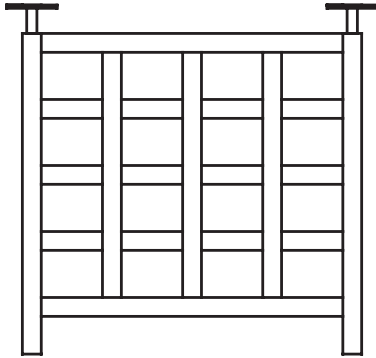
ASCENT (AS)



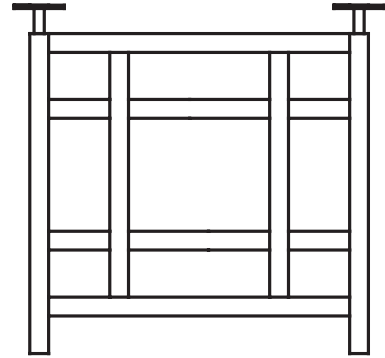
INTERSECTION (IN)



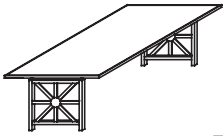
SQUARES (SQ)



HATCH (HA)



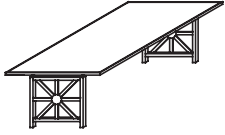
Options



READING TABLES WITH METAL FRAME BASES

MODEL NUMBER	DESCRIPTION	LIST PRICE
O- _3648-O- _- _	Table 36" deep x 48" wide x 29" high with 3/4" thick x 1 1/2" high oak edge banded HPL inlay top, 1 1/2" 12 gauge tubular steel end frames with double keel superstructure support	3592.00
O- _3060-O- _- _	Table 30" deep x 60" wide x 29" high with 3/4" thick x 1 1/2" high oak edge banded HPL inlay top, 1 1/2" 12 gauge tubular steel end frames with double keel superstructure support	3834.00
O- _3660-O- _- _	Table 36" deep x 60" wide x 29" high with 3/4" thick x 1 1/2" high oak edge banded HPL inlay top, 1 1/2" 12 gauge tubular steel end frames with double keel superstructure support	4045.00
O- _3672-O- _- _	Table 36" deep x 72" wide x 29" high with 3/4" thick x 1 1/2" high oak edge banded HPL inlay top, 1 1/2" 12 gauge tubular steel end frames with double keel superstructure support	4356.00
O- _3696-O- _- _	Table 36" deep x 96" wide x 29" high with 3/4" thick x 1 1/2" high oak edge banded HPL inlay top, 1 1/2" 12 gauge tubular steel end frames with double keel superstructure support	4770.00
O- _4272-O- _- _	Table 42" deep x 72" wide x 29" high with 3/4" thick x 1 1/2" high oak edge banded HPL inlay top, 1 1/2" 12 gauge tubular steel end frames with double keel superstructure support	4389.00
O- _4284-O- _- _	Table 42" deep x 84" wide x 29" high with 3/4" thick x 1 1/2" high oak edge banded HPL inlay top, 1 1/2" 12 gauge tubular steel end frames with double keel superstructure support	5348.00
O- _4296-O- _- _	Table 42" deep x 96" wide x 29" high with 3/4" thick x 1 1/2" high oak edge banded HPL inlay top, 1 1/2" 12 gauge tubular steel end frames with double keel superstructure support	4810.00
O- _4872-O- _- _	Table 48' deep x 72" wide x 29" high with 3/4" thick x 1 1/2" high oak edge banded HPL inlay top, 1 1/2" 12 gauge tubular steel end frames with double keel superstructure support	4398.00

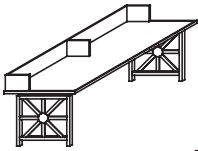
Options



READING TABLES WITH METAL FRAME BASES (continued)

MODEL NUMBER	DESCRIPTION	LIST PRICE
O-__4884-O-__	Table 48" deep x 84" wide x 29" high with 3/4" thick x 1 1/2" high oak edge banded HPL inlay top, 1 1/2" 12 gauge tubular steel end frames with double keel superstructure support	4685.00
O-__4896-O-__	Table 48" deep x 96" wide x 29" high with 3/4" thick x 1 1/2" high oak edge banded HPL inlay top, 1 1/2" 12 gauge tubular steel end frames with double keel superstructure support	4873.00
O-__3636-O-__	Table 36" square x 29" high with 3/4" thick x 1 1/2" high oak edge banded HPL inlay top, 1 1/2" 12 gauge tubular steel frame	3459.00
O-__4242-O-__	Table 42" square x 29" high with 3/4" thick x 1 1/2" high oak edge banded HPL inlay top, 1 1/2" 12 gauge tubular steel frame	3558.00
O-__4848-O-__	Table 48" square x 29" high with 3/4" thick x 1 1/2" high oak edge banded HPL inlay top, 1 1/2" 12 gauge tubular steel frame	3918.00
O-__6060-O-__	Table 60" square x 29" high with 3/4" thick x 1 1/2" high oak edge banded HPL inlay top, 1 1/2" 12 gauge tubular steel frame	4561.00
O-__36R-O-__	Table 36" round x 29" high with 3/4" thick x 1 1/2" high oak edge banded HPL inlay top, 1 1/2" 12 gauge tubular steel frame	3853.00
O-__42R-O-__	Table 42" round x 29" high with 3/4" thick x 1 1/2" high oak edge banded HPL inlay top, 1 1/2" 12 gauge tubular steel frame	3578.00
O-__48R-O-__	Table 48" round x 29" high with 3/4" thick x 1 1/2" high oak edge banded HPL inlay top, 1 1/2" 12 gauge tubular steel frame	3948.00
O-__60R-O-__	Table 60" round x 29" high with 3/4" thick x 1 1/2" high oak edge banded HPL inlay top, 1 1/2" 12 gauge tubular steel frame	4586.00
WOOD	Wood inlay veneered inset panel in base frames - add suffix WOOD	786.00
Suffix -M	For maple edge banding change suffix O to M and add 7 percent	
Suffix -C	For cherry edge banding change suffix O to C and add 20 percent	

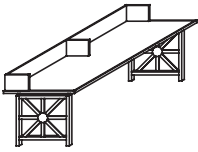
Options



INFORMATION TECHNOLOGY TABLES WITH METAL FRAME BASES & MONITOR RACKS

MODEL NUMBER	DESCRIPTION	LIST PRICE
O-_3036-O-IT-_-_-	IT table 30" deep x 36" wide with 3/4" thick x 1 1/2" high oak edge banded HPL inlay top with 8" high monitor rack across the back extending forward 10" at each end (Select from 29", 32" or 36" top heights)	4342.00
O-_3048-O-IT-_-_-	IT table 30" deep x 48" wide with 3/4" thick x 1 1/2" high oak edge banded HPL inlay top with 8" high monitor rack across the back extending forward 10" at each end (Select from 29", 32" or 36" top heights)	4573.00
O-_3060-O-IT-_-_-	IT table 30" deep x 60" wide with 3/4" thick x 1 1/2" high oak edge banded HPL inlay top with 8" high monitor rack across the back extending forward 10" at each end (Select from 29", 32" or 36" top heights)	5255.00
O-_3072-O-IT2-_-_-	IT table 30" deep x 72" wide with 3/4" thick x 1 1/2" high oak edge banded HPL inlay top with 8" high monitor rack across the back extending forward 10" at the ends and the center point, making 2 separate study areas (Select from 29", 32", or 36" high top height)	5647.00
O-_3096-O-IT2-_-_-	IT table 30" deep x 96" wide with 3/4" thick x 1 1/2" high oak edge banded HPL inlay top with 8" high monitor rack across the back extending forward 10" at the ends and the center point, making 2 separate study areas (Select from 29", 32", or 36" high top height)	6349.00
O-_3096-O-IT3-_-_-	IT table 30" deep x 96" wide with 3/4" thick x 1 1/2" high oak edge banded HPL inlay top with 8" high monitor rack across the back extending forward 10" at the ends and 2 equal points, making 3 separate study areas (Select from 29", 32", or 36" high top height)	6440.00
O-_3036-O-IT-_-_-	IT table 30" deep x 36" wide with 3/4" thick x 1 1/2" high oak edge banded HPL inlay top with 8" high monitor rack across the back extending forward 10" at each end (Select from 29", 32" or 36" top heights)	4685.00
O-_3048-O-IT-_-_-	IT table 30" deep x 48" wide with 3/4" thick x 1 1/2" high oak edge banded HPL inlay top with 8" high monitor rack across the back extending forward 10" at each end (Select from 29", 32" or 36" top heights)	4734.00

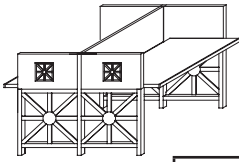
Options



INFORMATION TECHNOLOGY TABLES WITH METAL FRAME BASES & MONITOR RACKS (continued)

MODEL NUMBER	DESCRIPTION	LIST PRICE
O-_3060-O-IT-_-_-	IT table 30" deep x 60" wide with 3/4" thick x 1 1/2" high oak edge banded HPL inlay top with 8" high monitor rack across the back extending forward 10" at each end (Select from 29", 32" or 36" top heights)	5459.00
O-_3072-O-IT2-_-_-	IT table 30" deep x 72" wide with 3/4" thick x 1 1/2" high oak edge banded HPL inlay top with 8" high monitor rack across the back extending forward 10" at the ends and the center point, making 2 separate study areas (Select from 29", 32", or 36" high top height)	5892.00
O-_3096-O-IT2-_-_-	IT table 30" deep x 96" wide with 3/4" thick x 1 1/2" high oak edge banded HPL inlay top with 8" high monitor rack across the back extending forward 10" at the ends and the center point, making 2 separate study areas (Select from 29", 32", or 36" high top height)	6654.00
WOOD	Wood inlay veneered inset panel in base frames - add suffix WOOD	820.00
SUFFIX -M	For maple edge banding and monitor rack change suffix O to M and add 7 percent	
SUFFIX -C	For cherry edge banding and monitor rack change suffix O to C and add 20 percent	

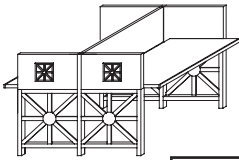
Options



INFORMATION TECHNOLOGY WORK STATIONS, ADJUSTABLE HEIGHT WORK SURFACE & METAL GRILLS

MODEL NUMBER	DESCRIPTION	LIST PRICE
O-_3136-O-ITS-_-_-	IT work station starter 31" deep x 36" wide x 39" high with 12 gauge tubular steel metal frame base, oak side and back panels with 1/4" solid oak edge banding, 1 1/4" thick adjustable height work surface with 3/4" thick edge banding and 2" cord drop/pencil stop banded with 1/2" thick solid oak, decorative metal grills	4762.00
O-_3136-O-ITS-A-_-_-	IT work station adder 31" deep x 36" wide x 39" high with 12 gauge tubular steel metal frame base, oak side and back panels with 1/4" solid oak edge banding, 1 1/4" thick adjustable height work surface with 3/4" thick edge banding and 2" cord drop/pencil stop banded with 1/2" thick solid oak	3581.00
O-_3148-O-ITS-_-_-	IT work station starter 31" deep x 48" wide x 39" high with 12 gauge tubular steel metal frame base, oak side and back panels with 1/4" solid oak edge banding, 1 1/4" thick adjustable height work surface with 3/4" thick edge and 2" cord drop/pencil stop banded with 1/2" thick solid oak, decorative metal grills	5168.00
O-_3148-O-ITS-A-_-_-	IT work station adder 31" deep x 48" wide x 39" high with 12 gauge tubular steel metal frame base, oak side and back panels with 1/4" solid oak edge banding, 1 1/4" thick adjustable height work surface with 3/4" thick edge banding and 2" cord drop/pencil stop banded with 1/2" thick solid oak,	3990.00
O-_3172-O-ITS-_-_-	IT work station starter 31" deep x 72" wide x 39" high with 12 gauge tubular steel metal frame base, oak side and back panels with 1/4" solid oak edge banding, 1 1/4" thick adjustable height work surface with 3/4" thick edge banding and 2" cord drop/ pencil stop banded with 1/2" thick solid oak, decorative metal grills	5779.00
O-_3172-O-ITS-A-_-_-	IT work station adder 31" deep x 72" wide x 39" high with 12 gauge tubular steel metal frame base, oak side and back panels with 1/4" solid oak edge banding, 1 1/4" thick adjustable height work surface with 3/4" thick edge banding and 2" cord drop/pencil stop banded with 1/2" thick solid oak, decorative metal grills	4600.00

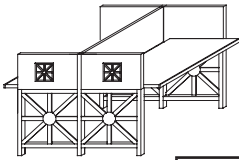
Options



INFORMATION TECHNOLOGY WORK STATIONS, ADJUSTABLE HEIGHT WORK SURFACE & METAL GRILLS (continued)

MODEL NUMBER	DESCRIPTION	LIST PRICE
O-__3136-O-DF-ITS-__	IT double faced work station starter 61" deep x 38" wide x 39" high with 12	8079.00
	gauge tubular steel metal frame base, oak side and back panels with 1/4"	
	solid oak edge banding, 2 each 1 1/4" thick adjustable height work surfaces	
	3/4" thick edge banding and 2" cord drop/pencil stop banded with 1/2" thick	
	solid oak, decorative metal grills	
O-__3136-O-DF-ITS-A-__	IT double faced work station adder 61" deep x 36" wide x 39" high with 12	6717.00
	gauge tubular steel metal frame base, oak side and back panels with 1/4"	
	solid oak edge banding, 2 each 1 1/4" thick adjustable height work surfaces	
	3/4" thick edge banding and 2" cord drop/pencil stop banded with 1/2" thick	
	solid oak	
O-__3148-O-DF-ITS-__	IT double faced work station starter 61" deep x 50" wide x 39" high with 12	8894.00
	gauge tubular steel metal frame base, oak side and back panels with 1/4"	
	solid oak edge banding, 2 each 1 1/4" thick adjustable height work surfaces	
	3/4" thick edge banding and 2" cord drop/pencil stop banded with 1/2" thick	
	solid oak, decorative metal grills	
O-__3148-O-DF-ITS-A-__	IT double faced work station adder 61" deep x 48" wide x 39" high with 12	7529.00
	gauge tubular steel metal frame base, oak side and back panels with 1/4"	
	solid oak edge banding, 2 each 1 1/4" thick adjustable height work surfaces	
	3/4" thick edge banding and 2" cord drop/pencil stop banded with 1/2" thick	
	solid oak	
O-__3172-O-DF-ITS-__	IT double faced work station starter 61" deep x 74" wide x 39" high with 12	9844.00
	gauge tubular steel metal frame base, oak side and back panels with 1/4"	
	solid oak edge banding, 2 each 1 1/4" thick adjustable height work surfaces	
	3/4" thick edge banding and 2" cord drop/pencil stop banded with 1/2" thick	
	solid oak, decorative metal grills	

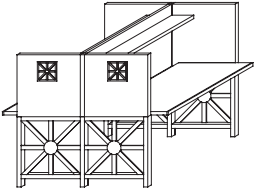
Options



INFORMATION TECHNOLOGY WORK STATIONS, ADJUSTABLE HEIGHT WORK SURFACE & METAL GRILLS (continued)

MODEL NUMBER	DESCRIPTION	LIST PRICE
O-__3172-O-DF-ITS-A-__	IT double faced work station adder 61" deep x 72" wide x 39" high with 12	8749.00
	gauge tubular steel metal frame base, oak side and back panels with 1/4"	
	solid oak edge banding, 2 each 1 1/4" thick adjustable height work surfaces	
	3/4" thick edge banding and 2" cord drop/pencil stop banded with 1/2" thick	
	solid oak	
SUFFIX-M	For above products in maple change suffix O to M and add 7 percent.	
SUFFIX-C	For above products in cherry change suffix O to C and add 20 percent.	

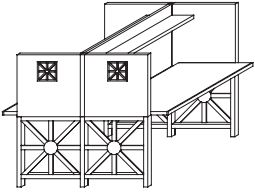
Options



STUDY CARRELS WITH METAL BASES, ADJUSTABLE HEIGHT WORK SURFACE & METAL GRILLS

MODEL NUMBER	DESCRIPTION	LIST PRICE
O- _3136-O- _- _	Carrel work station starter 31" deep x 38" wide x 48" high with 12 gauge tubular steel metal frame base, oak side and back panels with 1/4" solid oak edge banding, 1 1/4" thick adjustable height work surface with 3/4" thick edge banding and 2" cord drop/pencil stop banded with 1/2" thick solid oak, decorative metal grills	5632.00
O- _3136-O-A- _- _	Carrel work station adder 31" deep x 36 1/2" wide x 48" high with 12 gauge tubular steel metal frame base, oak side and back panels with 1/4" solid oak edge banding, 1 1/4" thick adjustable height work surface with 3/4" thick edge banding and 2" cord drop/pencil stop banded with 1/2" thick solid oak, decorative metal grills	3963.00
O- _3150-O- _- _	Carrel work station starter 31" deep x 50" wide x 48" high with 12 gauge tubular steel metal frame base, oak side and back panels with 1/4" solid oak edge banding, 1 1/4" thick adjustable height work surface with 3/4" thick edge banding and 2" cord drop/pencil stop banded with 1/2" thick solid oak, decorative metal grills	6225.00
O- _3148-O-A- _- _	Carrel work station adder 31" deep x 48 1/2" wide x 48" high with 12 gauge tubular steel metal frame base, oak side and back panels with 1/4" solid oak edge banding, 1 1/4" thick adjustable height work surface with 3/4" thick edge banding and 2" cord drop/pencil stop banded with 1/2" thick solid oak, decorative metal grills	4577.00
O- _3136-O-DF- _- _	Carrel work station, double faced, starter 61" deep x 38" wide x 48" high, 12 gauge tubular steel metal frame base, oak side and back panels with 1/4" solid oak edge banding, 2 each 1 1/4" thick adjustable height work surface with 3/4" thick edge banding and 2" cord drop/pencil stop banded with 1/2" thick solid oak, decorative metal grills	9826.00
O- _3136-O-DF-A- _- _	Carrel work station, double faced, adder 61" deep x 36 1/2" wide x 48", 12 gauge tubular steel metal frame base, oak side and back panels with 1/4" solid oak edge banding, 2 each 1 1/4" thick adjustable height work surface with 3/4" thick edge banding and 2" cord drop/pencil stop banded with 1/2" thick solid oak	6565.00

Options



STUDY CARRELS WITH METAL BASES, ADJUSTABLE HEIGHT WORK SURFACE & METAL GRILLS (continued)

MODEL NUMBER	DESCRIPTION	LIST PRICE
O-_3148-O-DF--_ _	Carrel work station, double faced, starter 61" deep x 50" wide x 48" high	10968.00
	12 gauge tubular steel metal frame base, oak side and back panels with 1/4"	
	solid oak edge banding, 2 each 1 1/4" thick adjustable height work surface	
	with 3/4" thick edge banding and 2" cord drop/pencil stop banded with 1/2"	
	thick solid oak	
O-_3148-O-DF-A-_-	Carrel work station, double faced, adder 61" deep x 48 1/2" wide x 48" high	7544.00
	12 gauge tubular steel metal frame base, oak side and back panels with 1/4"	
	solid oak edge banding, 2 each 1 1/4" thick adjustable height work surface	
	with 3/4" thick edge banding and 2" cord drop/pencil stop banded with 1/2"	
	thick solid oak	
SUFFIX-M	For maple display products change suffix O to M and add 7 percent	
SUFFIX-C	For cherry display products change suffix O to C and add 20 percent	

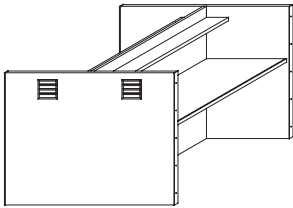
Options

Model Number	Description	List Price
O-IT-3036	Options IT Station 30" Deep x 36" Wide x (height) with base frame assembly, 9" High modesty panel and 1-1/4" Thick HPL top with 3MM pvc edge	976.00
O-IT-3042	Options IT Station 30" Deep x 42" Wide x (height) with base frame assembly, 9" High modesty panel and 1-1/4" Thick HPL top with 3MM pvc edge	1037.00
O-IT-3048	Options IT Station 30" Deep x 48" Wide x (height) with base frame assembly, 9" High modesty panel and 1-1/4" Thick HPL top with 3MM pvc edge	1074.00
O-IT-3054	Options IT Station 30" Deep x 54" Wide x (height) with base frame assembly, 9" High modesty panel and 1-1/4" Thick HPL top with 3MM pvc edge	1111.00
O-IT-3060	Options IT Station 30" Deep x 60" Wide x (height) with base frame assembly, 9" High modesty panel and 1-1/4" Thick HPL top with 3MM pvc edge	1183.00
O-IT-3072	Options IT Station 30" Deep x 72" Wide x (height) with base frame assembly, 9" High modesty panel and 1-1/4" Thick HPL top with 3MM pvc edge	1282.00
O-IT-3084	Options IT Station 30" Deep x 84" Wide x (height) with base frame assembly, 9" High modesty panel and 1-1/4" Thick HPL top with 3MM pvc edge	1496.00
O-IT-3096	Options IT Station 30" Deep x 96" Wide x (height) with base frame assembly, 9" High modesty panel and 1-1/4" Thick HPL top with 3MM pvc edge	1595.00
O-IT-303048C	Options IT Corner Station 30" Deep x 48" Wide x (height) with base frame assembly, back corner leg, 9" High modesty panel and 1-1/4" Thick HPL top with 3MM pvc edge	1429.00
O-IT-1-Filler	Options IT Vertical steel filler panel - wire manager black	94.00
O-IT-GRM-2	Grommet 2" Diameter	38.00
O-IT-PERF	Perforated Modesty panel with 1/4" perforations, up charge per foot	59.00
O-IT-MOD	Modify width or height, use next largest size and add	149.00
O-IT-FULLMP	Modify to Full Height modesty panel	173.00
O-IT-EH	Electrical Pass Through hole in leg	38.00
O-IT-ADA	Modify to ADA height (Does not include a modesty panel)	378.00
O-IT-ADAMOD	Modify to add modesty panel to ADA station	351.00
O-IT-ADAADJ	Modify to adjustable height table, 6" adjustment (Does not include modesty panel)	743.00
O-IT-CAST	Set of 4 plastic locking casters	151.00
O-IT-PE1	Single circuit power entry	356.00
O-IT-PE-1-1Q	Single circuit power entry with intelligent power linking system	475.00
O-IT-PE4	4 Circuit power entry	481.00
O-IT-DUPX	Duplex receptacle power block	89.00
O-IT-DCM	Duplex connection module	24.00
O-IT-JUMP-12/36	Electrical jumper with shielded cable 12" to 36" long	195.00
O-IT-JUMP-12/36	Electrical jumper with shielded cable 42" to 72" long	235.00
O-IT-WM48-PVC	Wire manager up to 48" long x 4" deep PVC	240.00
O-IT-WM48-PVC	Wire Manager up to 72" Long x 4" deep PVC	285.00
O-IT-WM48-MTL	Wire manager up to 48" long x 2 3/4" x 2 3/4" high, couples with modesty panel, metal	149.00

Options

Model Number	Description	List Price
O-IT-WM72-MTL	Wire manager up to 72" long x 2 3/4" x 2 3/4" high, couples with modesty panel, metal	188.00
O-IT-ELD48	Wire manager, jumper, duplex outlet, 4" PVC wire manager up to 48" with hanger brackets	476.00
O-IT-ELD72	Wire manager, jumper, duplex outlet, 4" PVC wire manager up to 72" with hanger brackets	548.00
O-IT-ELDD48	Wire manager, jumper, 2 duplex outlets, 4" PVC wire manager up to 48" with hanger brackets	624.00
O-IT-ELDD72	Wire manager, jumper, 2 duplex outlets, 4" PVC wire manager up to 72" with hanger brackets	705.00
O-IT-2P-2BD-N	Tip-up power module, black plastic, 2 outlets, 2 blank data ports, 72" cord	447.00
O-IT-2P-1USB-1BD-N	Tip-up power module, black plastic, 2 outlets, 1 dual USB, 1 blank data port, 72" cord	595.00
O-IT-2P-2BD-MI	Tip-up power module, black plastic, 2 outlets, 2 blank data ports, 72" cord	377.00
O-IT-3P-1BD-MI	Tip-up power module, black plastic, 3 outlets, 1 blank data port, 72" cord	448.00
O-IT-4P-MI	Tip-up power module, black plastic, 4 outlets, 72" cord	519.00
O-IT-2P-2BD-MO	Tip-up power module, clear aluminum, 2 outlets, 2 blank data ports, 72" cord	500.00
O-IT-2P-1USB-1BD-MO	Tip-up power module, clear aluminum, 2 outlets, 1 dual USB, 1 blank data port, 72" cord	667.00
O-IT-2P-2BD-SL-MI	Tip-up power module, clear aluminum, 2 outlets, 2 blank data ports, and Smart Link system	429.00
O-IT-2P-1USB-1BD-SL-MI	Tip-up power module, clear aluminum, 2 outlets, 1 dual USB, 1 blank data port, and Smart Link system	608.00
O-IT-6P-2USB-SIDE-MO	Side by side tip-up power module, clear aluminum, 6 outlets, 2 dual USB, 72" cord	1668.00
O-IT-2P-1USB-1DR-SUR	Flat mount power module, 2 outlets, 1 dual USB, 1 blank port, intelligent power system, white	505.00
O-IT-1P-SIMPLEX	Simplex outlet replacing blank data port	71.00
O-IT-1USB	Dual USB charging module replacing 1 blank data port *not available on MI units	179.00
O-IT-CPURCK	Adjustable CPU holder	356.00
O-IT-BFPED	Hanging Box/File Pedestal	1376.00
O-IT-ARYBD	Articulating keyboard tray	1007.00
O-IT-POKYBD	Pull out keyboard tray	495.00
O-IT-MonitorLift	Pneumatic Monitor Lift Unit (1 Unit required per Monitor) Requires full height modesty panel upcharge	999.00
O-IT-MM	Under counter multimedia unit, 4 outlets, 1 audio port, 1 dual USB, 2 blank data ports, under counter mount	1429.00
O-IT-MM-4P-1AU-1USB-2BD-UC	Under counter multimedia unit, 2 outlets, 1RJ45 Cat6 data jack, 1 VGA DB15HD Female, 1 audio 3.5 mm stereo, 1 HDMI 2 user drop share kit, 1 HDMI coupler, under counter mount	4625.00
O-IT-LED-24	LED light 24" with dimmer	494.00
O-IT-LED-36	LED light 36" with dimmer	556.00
O-IT-DRIV	LED light driver	81.00

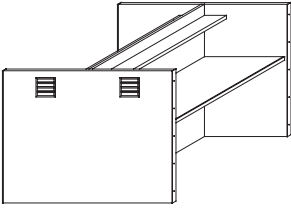
Options II



OPTIONS II STUDY CARRELS WITH METAL END CAPS AND DECORATIVE GRILLS

MODEL NUMBER	DESCRIPTION	LIST PRICE
OII-3136-O-_-_-	Study carrel starter 31 5/8" deep x 38" wide x 48" high with metal end caps and metal grills, oak side and back panels with 1/4" thick edge banding, 1 1/4" thick HPL work surface with 3/4" thick oak edge banding and 2" cord drop/pencil stop banded with 1/2" solid oak	4596.00
OII-3136-O-A-_-_-	Study carrel adder 31 5/8" deep x 36 1/2" wide x 48" high with metal end caps, oak side and back panels with 1/4" thick edge banding , 1 1/4" thick HPL work surface with 3/4" thick oak edge banding and 2" cord drop/pencil stop banded with 1/2" solid oak	3178.00
OII-3148-O-_-_-	Study carrel starter 31 5/8" deep x 50" wide x 48" high with metal end caps and metal grills, oak side and back panels with 1/4" thick edge banding, 1 1/4" thick HPL work surface with 3/4" thick oak edge banding and 2" cord drop/pencil stop banded with 1/2" solid oak	5146.00
OII-3148-O-A-_-_-	Study carrel adder 31 5/8" deep x 48 1/2" wide x 48" high with metal end caps, oak side and back panels with 1/4" thick edge banding , 1 1/4" thick HPL work surface with 3/4" thick oak edge banding and 2" cord drop/pencil stop banded with 1/2" solid oak	3727.00
OII-6136-DF-O-_-_-	Study carrel, double faced, starter 61 1/2" deep x 38" wide x 48" high with metal end caps and metal grills, oak side and back panels with 1/4" thick edge banding, 2 each 1 1/4" thick HPL work surface with 3/4" thick oak edge banding and 2" cord drop/pencil stop banded with 1/2" thick solid oak	7927.00
OII-6136-O-DF-A-_-_-	Study carrel, double faced, adder 61 1/2" deep x 36 1/2" wide x 48" high with metal end caps, oak side and back panels with 1/4" thick edge banding, 2 each 1 1/4" thick HPL work surface with 3/4" thick oak edge banding and 2" cord drop/pencil stop banded with 1/2" thick solid oak	4777.00
OII-6148-O-DF-_-_-	Study carrel, double faced, starter 61 1/2" deep x 50" wide x 48" high with metal end caps and metal grills, oak side and back panels with 1/4" thick edge banding, 2 each 1 1/4" thick HPL work surface with 3/4" thick oak edge banding and 2" cord drop/pencil stop banded with 1/2" thick solid oak	8803.00

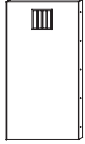
Options II



OPTIONS II STUDY CARRELS WITH METAL END CAPS AND DECORATIVE GRILLS (continued)

MODEL NUMBER	DESCRIPTION	LIST PRICE
OII-6148-O-DF-A-_-	Study carrel, double faced, adder 61 1/2" deep x 48 1/2" wide x 48" high with	6017.00
	metal end caps, oak side and back panels with 1/4" thick edge banding, 2 each 1	
	1/4" thick HPL work surface with 3/4" thick oak edge banding and 2" cord drop/	
	pencil stop banded with 1/2" thick solid oak	
SUFFIX-M	For maple study carrels change suffix O to M and add 7 percent	
SUFFIX-C	For cherry study carrels change suffix O to C and add 20 percent	

Options



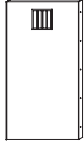
OPTIONS END PANELS IN OAK WITH 1/4" SOLID OAK EDGE BANDING, METAL END CAPS & METAL GRILL

MODEL NUMBER	DESCRIPTION	LIST PRICE
O-4412-DF-O_	End panel 44" high x 12" deep with metal grill & metal end caps on both long ends	773.00
O-4413-DF-O_	End panel 44" high x 13" deep with metal grill & metal end caps on both long ends	789.00
O-4414-DF-O_	End panel 44" high x 14" deep with metal grill & metal end caps on both long ends	814.00
O-4416-DF-O_	End panel 44" high x 16" deep with metal grill & metal end caps on both long ends	835.00
O-4418-DF-O_	End panel 44" high x 18" deep with metal grill & metal end caps on both long ends	1056.00
O-4420-DF-O_	End panel 44" high x 20" deep with metal grill & metal end caps on both long ends	1083.00
O-4422-DF-O_	End panel 44" high x 22" deep with metal grill & metal end caps on both long ends	1118.00
O-4424-DF-O_	End panel 44" high x 24" deep with metal grill & metal end caps on both long ends	1148.00
O-4425-DF-O_	End panel 44" high x 25" deep with metal grill & metal end caps on both long ends	1090.00
O-4428-DF-O_	End panel 44" high x 28" deep with metal grill & metal end caps on both long ends	762.00
O-4432-DF-O_	End panel 44" high x 32" deep with metal grill & metal end caps on both long ends	1270.00
O-4812-DF-O_	End panel 48" high x 12" deep with metal grill & metal end caps on both long ends	815.00
O-4813-DF-O_	End panel 48" high x 13" deep with metal grill & metal end caps on both long ends	835.00
O-4814-DF-O_	End panel 48" high x 14" deep with metal grill & metal end caps on both long ends	874.00
O-4816-DF-O_	End panel 48" high x 16" deep with metal grill & metal end caps on both long ends	876.00
O-4818-DF-O_	End panel 48" high x 18" deep with metal grill & metal end caps on both long ends	1106.00
O-4820-DF-O_	End panel 48" high x 20" deep with metal grill & metal end caps on both long ends	1139.00
O-4822-DF-O_	End panel 48" high x 22" deep with metal grill & metal end caps on both long ends	1177.00
O-4824-DF-O_	End panel 48" high x 24" deep with metal grill & metal end caps on both long ends	1213.00

PLEASE NOTE: END PANELS WILL NOT HAVE SPECIAL EDGE DETAIL



Options



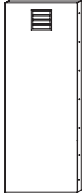
OPTIONS END PANELS IN OAK WITH 1/4" SOLID OAK EDGE BANDING, METAL END CAPS & METAL GRILL (continued)

MODEL NUMBER	DESCRIPTION	LIST PRICE
O-4825-DF-O_	End panel 48" high x 25" deep with metal grill & metal end caps on both long ends	1248.00
O-4828-DF-O_	End panel 48" high x 28" deep with metal grill & metal end caps on both long ends	1310.00
O-4832-DF-O_	End panel 48" high x 32" deep with metal grill & metal end caps on both long ends	1469.00
O-5012-DF-O_	End panel 50" high x 12" deep with metal grill & metal end caps on both long ends	853.00
O-5013-DF-O_	End panel 50" high x 13" deep with metal grill & metal end caps on both long ends	876.00
O-5014-DF-O_	End panel 50" high x 14" deep with metal grill & metal end caps on both long ends	918.00
O-5016-DF-O_	End panel 50" high x 16" deep with metal grill & metal end caps on both long ends	997.00
O-5018-DF-O_	End panel 50" high x 18" deep with metal grill & metal end caps on both long ends	1090.00
O-5020-DF-O_	End panel 50" high x 20" deep with metal grill & metal end caps on both long ends	1165.00
O-5022-DF-O_	End panel 50" high x 22" deep with metal grill & metal end caps on both long ends	1200.00
O-5024-DF-O_	End panel 50" high x 24" deep with metal grill & metal end caps on both long ends	1259.00
O-5025-DF-O_	End panel 50" high x 25" deep with metal grill & metal end caps on both long ends	1375.00
O-5028-DF-O_	End panel 50" high x 28" deep with metal grill & metal end caps on both long ends	1506.00
O-5032-DF-O_	End panel 50" high x 32" deep with metal grill & metal end caps on both long ends	1674.00
O-6612-DF-O_	End panel 66" high x 12" deep with metal grill & metal end caps on both long ends	878.00
O-6613-DF-O_	End panel 66" high x 13" deep with metal grill & metal end caps on both long ends	907.00
O-6614-DF-O_	End panel 66" high x 14" deep with metal grill & metal end caps on both long ends	960.00
O-6616-DF-O_	End panel 66" high x 16" deep with metal grill & metal end caps on both long ends	1183.00
O-6618-DF-O_	End panel 66" high x 18" deep with metal grill & metal end caps on both long ends	1227.00

PLEASE NOTE: END PANELS WILL NOT HAVE SPECIAL EDGE DETAIL



Options



OPTIONS END PANELS IN OAK WITH 1/4" SOLID OAK EDGE BANDING, METAL END CAPS & METAL GRILL (continued)

MODEL NUMBER	DESCRIPTION	LIST PRICE
O-6620-DF-O_	End panel 66" high x 20" deep with metal grill & metal end caps on both long ends	1273.00
O-6622-DF-O_	End panel 66" high x 22" deep with metal grill & metal end caps on both long ends	1355.00
O-6624-DF-O_	End panel 66" high x 24" deep with metal grill & metal end caps on both long ends	1373.00
O-6625-DF-O_	End panel 66" high x 25" deep with metal grill & metal end caps on both long ends	1409.00
O-6628-DF-O_	End panel 66" high x 28" deep with metal grill & metal end caps on both long ends	1589.00
O-6632-DF-O_	End panel 66" high x 32" deep with metal grill & metal end caps on both long ends	1626.00
O-7812-DF-O_	End panel 78" high x 12" deep with metal grill & metal end caps on both long ends	908.00
O-7813-DF-O_	End panel 78" high x 13" deep with metal grill & metal end caps on both long ends	950.00
O-7814-DF-O_	End panel 78" high x 14" deep with metal grill & metal end caps on both long ends	1027.00
O-7816-DF-O_	End panel 78" high x 16" deep with metal grill & metal end caps on both long ends	1263.00
O-7818-DF-O_	End panel 78" high x 18" deep with metal grill & metal end caps on both long ends	1313.00
O-7820-DF-O_	End panel 78" high x 20" deep with metal grill & metal end caps on both long ends	1371.00
O-7822-DF-O_	End panel 78" high x 22" deep with metal grill & metal end caps on both long ends	1453.00
O-7824-DF-O_	End panel 78" high x 24" deep with metal grill & metal end caps on both long ends	1477.00
O-7825-DF-O_	End panel 78" high x 25" deep with metal grill & metal end caps on both long ends	1578.00
O-7828-DF-O_	End panel 78" high x 28" deep with metal grill & metal end caps on both long ends	1623.00
O-7832-DF-O_	End panel 78" high x 32" deep with metal grill & metal end caps on both long ends	1786.00
O-8412-DF-O_	End panel 84" high x 12" deep with metal grill & metal end caps on both long ends	967.00
O-8413-DF-O_	End panel 84" high x 13" deep with metal grill & metal end caps on both long ends	1014.00

PLEASE NOTE: END PANELS WILL NOT HAVE SPECIAL EDGE DETAIL

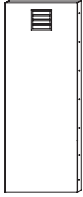
Options

OPTIONS END PANELS IN OAK WITH 1/4" SOLID OAK EDGE BANDING, METAL END CAPS & METAL GRILL (continued)

MODEL NUMBER	DESCRIPTION	LIST PRICE
O-8414-DF-O_	End panel 84" high x 14" deep with metal grill & metal end caps on both long ends	1166.00
O-8416-DF-O_	End panel 84" high x 16" deep with metal grill & metal end caps on both long ends	1302.00
O-8418-DF-O_	End panel 84" high x 18" deep with metal grill & metal end caps on both long ends	1359.00
O-8420-DF-O_	End panel 84" high x 20" deep with metal grill & metal end caps on both long ends	1415.00
O-8422-DF-O_	End panel 84" high x 22" deep with metal grill & metal end caps on both long ends	1496.00
O-8424-DF-O_	End panel 84" high x 24" deep with metal grill & metal end caps on both long ends	1550.00
O-8425-DF-O_	End panel 84" high x 25" deep with metal grill & metal end caps on both long ends	1656.00
O-8428-DF-O_	End panel 84" high x 28" deep with metal grill & metal end caps on both long ends	1742.00
O-8432-DF-O_	End panel 84" high x 32" deep with metal grill & metal end caps on both long ends	1939.00
O-9012-DF-O_	End panel 90" high x 12" deep with metal grill & metal end caps on both long ends	1022.00
O-9013-DF-O_	End panel 90" high x 13" deep with metal grill & metal end caps on both long ends	1076.00
O-9014-DF-O_	End panel 90" high x 14" deep with metal grill & metal end caps on both long ends	1165.00
O-9016-DF-O_	End panel 90" high x 16" deep with metal grill & metal end caps on both long ends	1348.00
O-9018-DF-O_	End panel 90" high x 18" deep with metal grill & metal end caps on both long ends	1403.00
O-9020-DF-O_	End panel 90" high x 20" deep with metal grill & metal end caps on both long ends	1463.00
O-9022-DF-O_	End panel 90" high x 22" deep with metal grill & metal end caps on both long ends	1615.00
O-9024-DF-O_	End panel 90" high x 24" deep with metal grill & metal end caps on both long ends	1641.00
O-9025-DF-O_	End panel 90" high x 25" deep with metal grill & metal end caps on both long ends	1695.00
O-9028-DF-O_	End panel 90" high x 28" deep with metal grill & metal end caps on both long ends	1923.00

PLEASE NOTE: END PANELS WILL NOT HAVE SPECIAL EDGE DETAIL

Options



OPTIONS END PANELS IN OAK WITH 1/4" SOLID OAK EDGE BANDING, METAL END CAPS & METAL GRILL (continued)

MODEL NUMBER	DESCRIPTION	LIST PRICE
O-9032-DF-O-__	End panel 90" high x 32" deep with metal grill & metal end caps on both long ends	2057.00
SUFFIX-M	For maple end panels change suffix O to M and add 7 percent	
SUFFIX-C	For cherry end panels change suffix O to C and 20 percent	

PLEASE NOTE: END PANELS WILL NOT HAVE SPECIAL EDGE DETAIL

Options

ANGLE SERIES RECTANGULAR TABLES WITH SQUARE TUBULAR FRAMES, HPL INLAY TOPS

MODEL NUMBER	DESCRIPTION	3MM PVC EDGE	3MM KNIFE EDGE	3MM WOOD EDGE	1 1/4" THICK WOOD EDGE
AS-2436	Angle Series Rectangular table 24" deep x 36" wide x 30" high with square tubular angled bases, HPL inlay tops, top depth may be 19" to 24" deep	1495.00	1591.00	1757.00	1976.00
AS-2448	Angle Series rectangular table 24" deep x 48" wide x 30" high with square tubular angled bases, HPL inlay tops, top depth may be 19" to 24" deep	1574.00	1703.00	1893.00	2220.00
AS-2460	Angle Series rectangular table 24" deep x 60" wide x 30" high with square tubular angled bases, HPL inlay tops, top depth may be 19" to 24" deep	1610.00	1755.00	1982.00	2340.00
AS-2472	Angle Series rectangular table 24" deep x 72" wide x 30" high with square tubular angled bases, HPL inlay tops, top depth may be 19" to 24" deep	1679.00	1850.00	2104.00	2598.00
AS-2484	Angle Series rectangular table 24" deep x 84" wide x 30" high with square tubular angled bases, HPL inlay tops, top depth may be 19" to 24" deep	1930.00	2155.00	2415.00	2910.00
AS-2496	Angle Series rectangular table 24" deep x 96" wide x 30" high with square tubular angled bases, HPL inlay tops, top depth may be 19" to 24" deep	2008.00	2265.00	2552.00	3094.00
AS-3036	Angle Series rectangular table 30" deep x 36" wide x 30" high with square tubular angled bases, HPL inlay tops, top depth may be 25" to 30" deep	1558.00	1679.00	1852.00	2144.00
AS-3048	Angle Series rectangular table 30" deep x 48" wide x 30" high with square tubular bases, HPL inlay tops, top depth may be 25" to 30" deep	1655.00	1815.00	2008.00	2359.00
AS-3060	Angle Series rectangular table 30" deep x 60" wide x 30" high with square tubular bases, HPL inlay tops, top depth may be 25" to 30" deep	1686.00	1831.00	2063.00	2416.00
AS-3072	Angle Series rectangular table 30" deep x 72" wide x 30" high square tubular angled bases, HPL inlay tops, top depth may be 25" to 30" deep	1224.00	1425.00	1682.00	2229.00
AS-3084	Angle Series rectangular table 30" deep x 84" wide x 30" high with square tubular bases, HPL inlay tops, top depth may be 25" to 30" deep	2068.00	2346.00	2593.00	3093.00
AS-3096	Angle Series rectangular table 30" deep x 96" wide x 30" high with square tubular bases, HPL inlay tops, top depth may be 25" to 30" deep	2166.00	2484.00	2749.00	3300.00

Options

ANGLE SERIES SQUARE & ROUND TABLES WITH SQUARE TUBULAR X ANGLED BASES, HPL INLAY TOPS

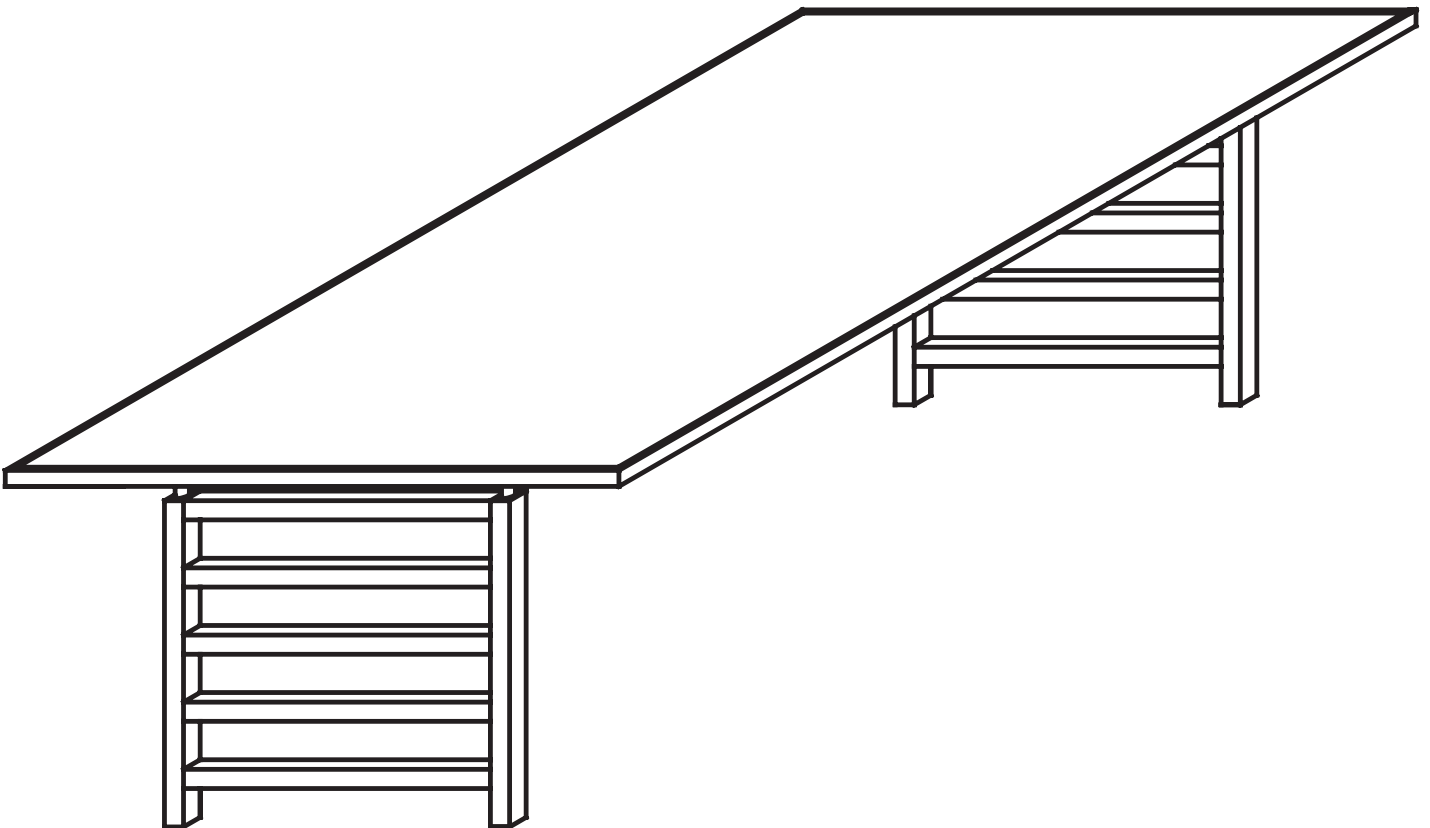
MODEL NUMBER	DESCRIPTION	3MM PVC EDGE	3MM KNIFE EDGE	3MM WOOD EDGE	1 1/4" THICK WOOD EDGE
AS-3636-SQ	Angle Series square table 36 square x 30" high with square tubular angled X base, HPL inlay top	1518.00	1663.00	1841.00	2159.00
AS-4242-SQ	Angle Series square table 42 square x 29" high with square tubular angled X base, HPL inlay top	1668.00	1862.00	2051.00	2415.00
AS-4848-SQ	Angle Series square table 48 square x 29" high with square tubular angled X base, HPL inlay top	1845.00	2316.00	2291.00	2694.00
AS-36-RO	Round table 36" diameter x 29" high with tubular X base, HPL inlay top	1622.00	1810.00	1895.00	2769.00
AS-42-RO	Round table 42" diameter x 29" high with tubular X base, HPL inlay top	1253.00	1509.00	1582.00	2611.00
TRO-48-XB	Round table 48" diameter x 29" high with tubular X base, HPL inlay top	1322.00	1597.00	1692.00	3046.00

ANGLE SERIES MODESTY PANELS & ACCESSORIES

MODEL NUMBER	DESCRIPTION	LIST PRICE
MODESTY-MTL-36	Modesty panel in metal 36" to 60" wide x 9 1/2" high	351.00
MODESTY-MTL-72	Modesty panel in metal 72" to 96" wide x 9 1/2" high	416.00
MODESTY-HPL-36	Modesty panel in HPL with PVC edge banding 36" to 60" wide x 11 1/2" high	378.00
MODESTY-HPL-72	Modesty panel in HPL with PVC edge banding 72" to 96" wide x 11 1/2" high	443.00
MODESTY-PERF	Perforated metal modesty panel	648.00
KEEL	Steel top support keel	140.00
GRM-2-BLK	Grommet 2" diameter in black with cover	38.00
PASS-HOLE	Electrical/Data pass thru hold in metal frame	49.00
MOD-HEIGHT	Modify height of table base	238.00
MOD-WIDTH	Modify width of table	162.00
IS-ELE-2P-1USB	In-surface spill proof duplex outlet and dual USB charging unit silver/black	627.00
SPECIAL-LAM	For special color laminate add 10 percent	
SPECIAL-PVC	For Non Standard PVC edge banding add 4 percent	

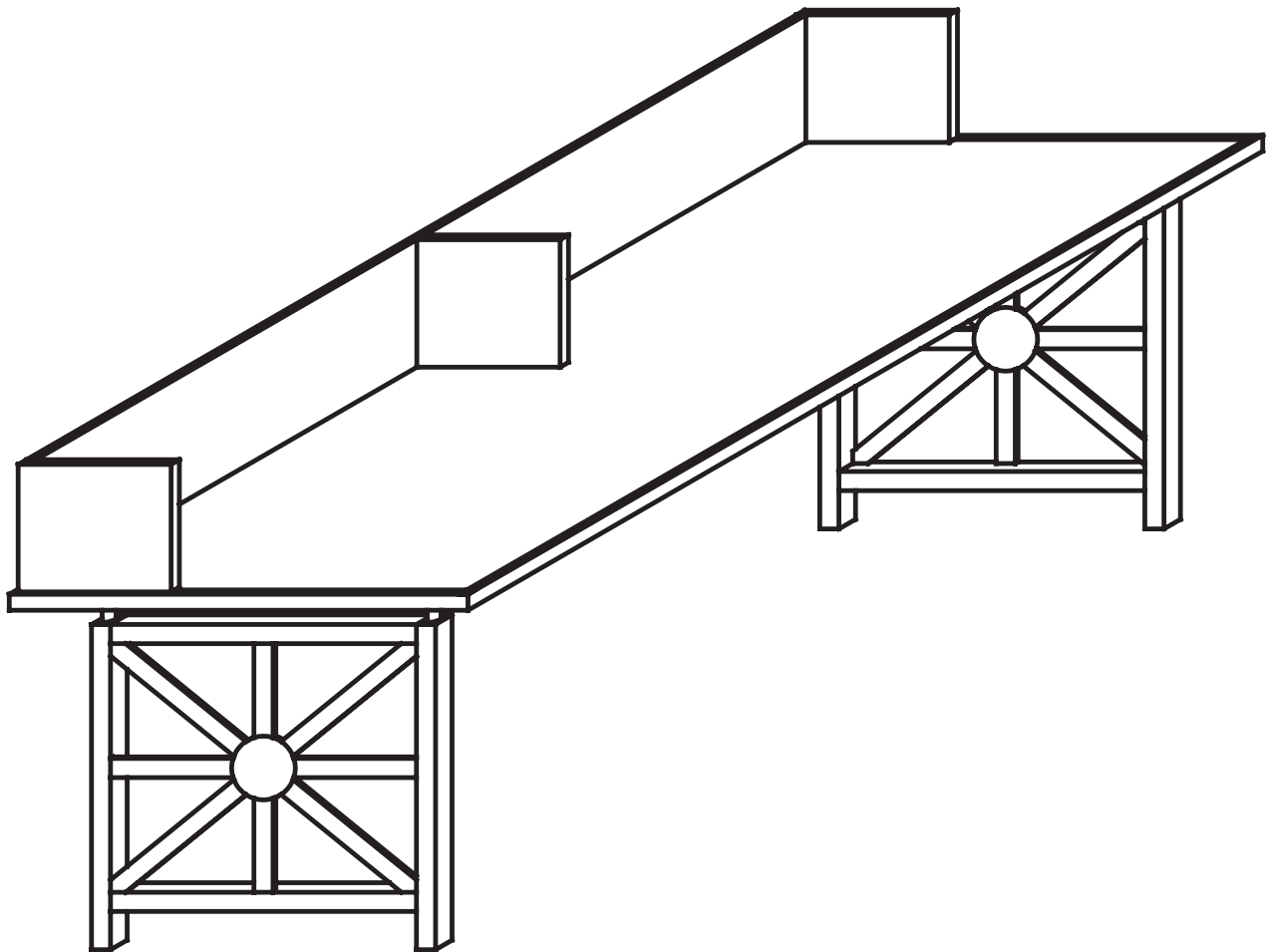
Options

OPTIONS HORIZONTAL READING TABLE 72" WIDE X 48" DEEP X 29" HIGH, 3/4" THICK X 1 1/2" DEEP SOLID WOOD EDGE BANDING WITH HPL INLAY TOP, 1 1/2" TUBULAR END FRAMES WITH METAL SUPERSTRUCTURE SUPPORT



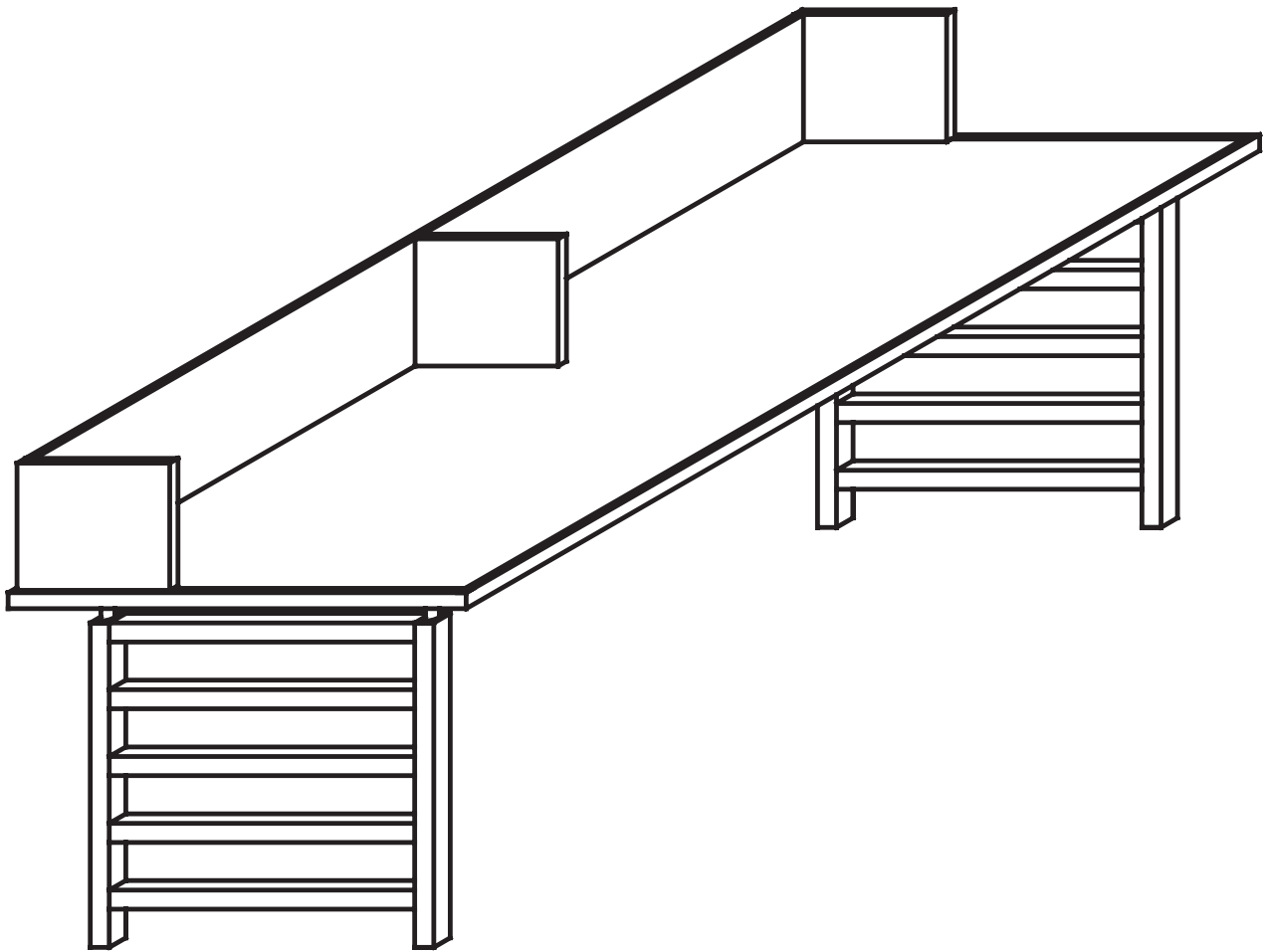
Options

OPTIONS ROMAN GRID INFORMATION TECHNOLOGY TABLE
72" WIDE X 30" OR 36" DEEP X 29", 32" OR 39" HIGH WITH 10"
MONITOR DIVIDER PANELS ABOVE



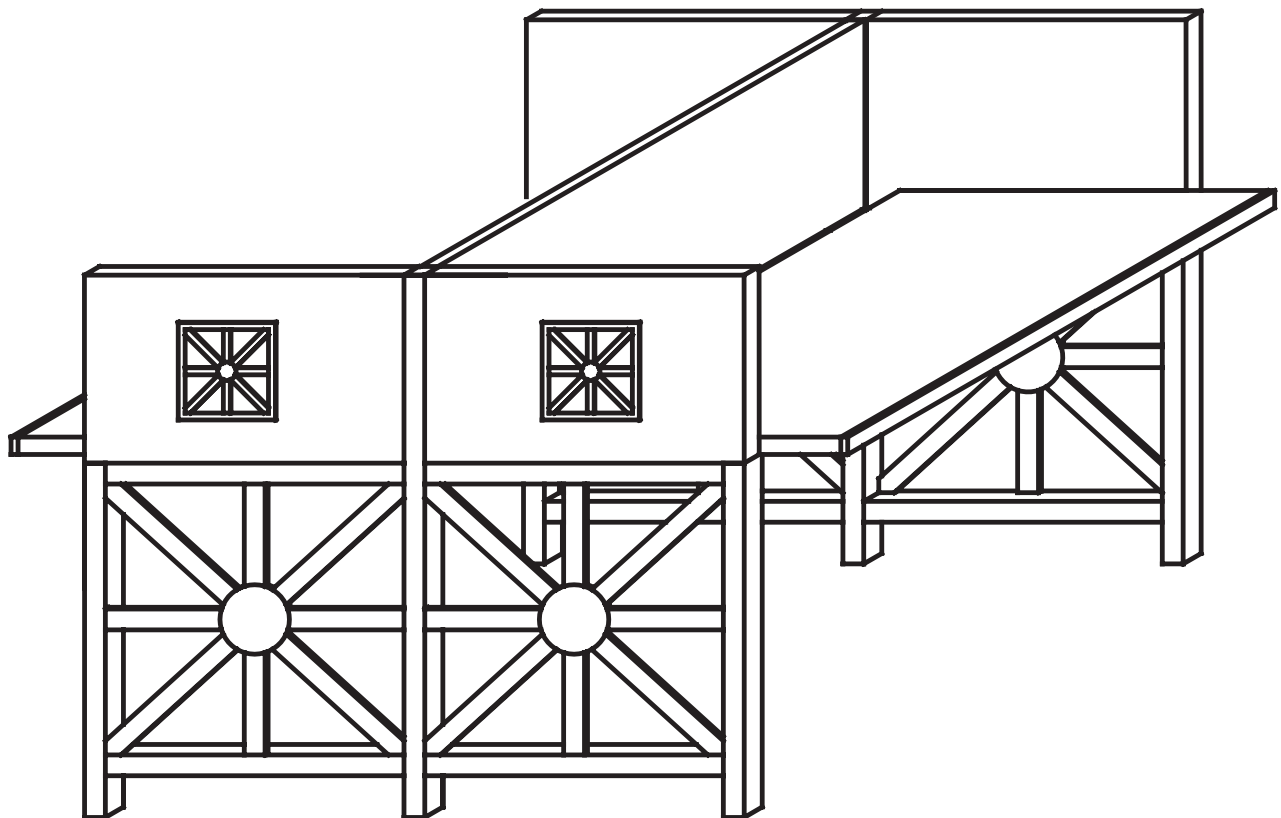
Options

OPTIONS HORIZONTAL INFORMATION TECHNOLOGY TABLE
72" WIDE X 30" OR 36" DEEP X 29", 32" OR 39" HIGH WITH 10"
MONITOR DIVIDER PANELS ABOVE



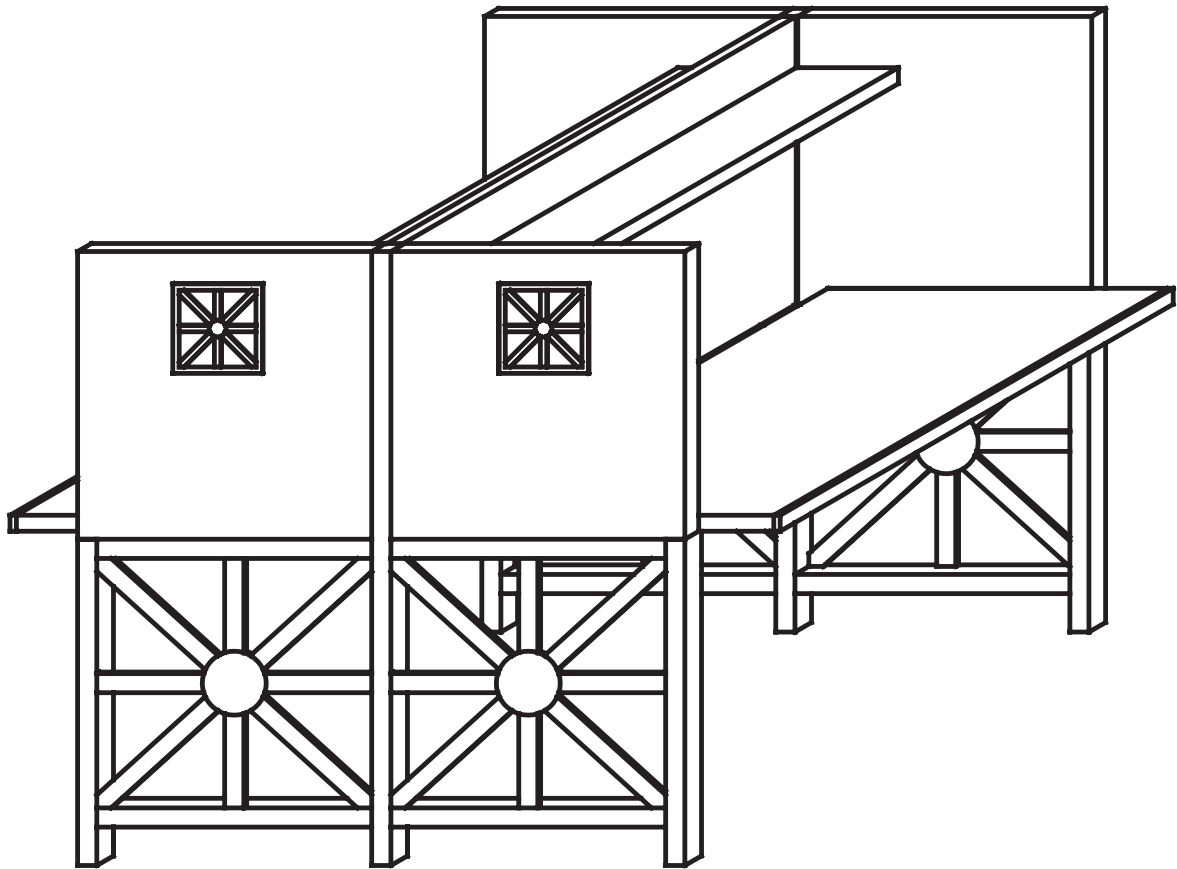
Options

OPTIONS ROMAN GRID DOUBLE FACED INFORMATION TECHNOLOGY STATIONS 38", 50" OR 74" WIDE X 61" DEEP X 39" HIGH WITH METAL GRILLS, WOOD PANELS, WORK SURFACES WITH 3/4" THICK X 1 1/4" HIGH SOLID WOOD EDGE BANDED HPL INLAY, 1 1/2" TUBULAR END FRAMES WITH METAL SUPERSTRUCTURE SUPPORTS



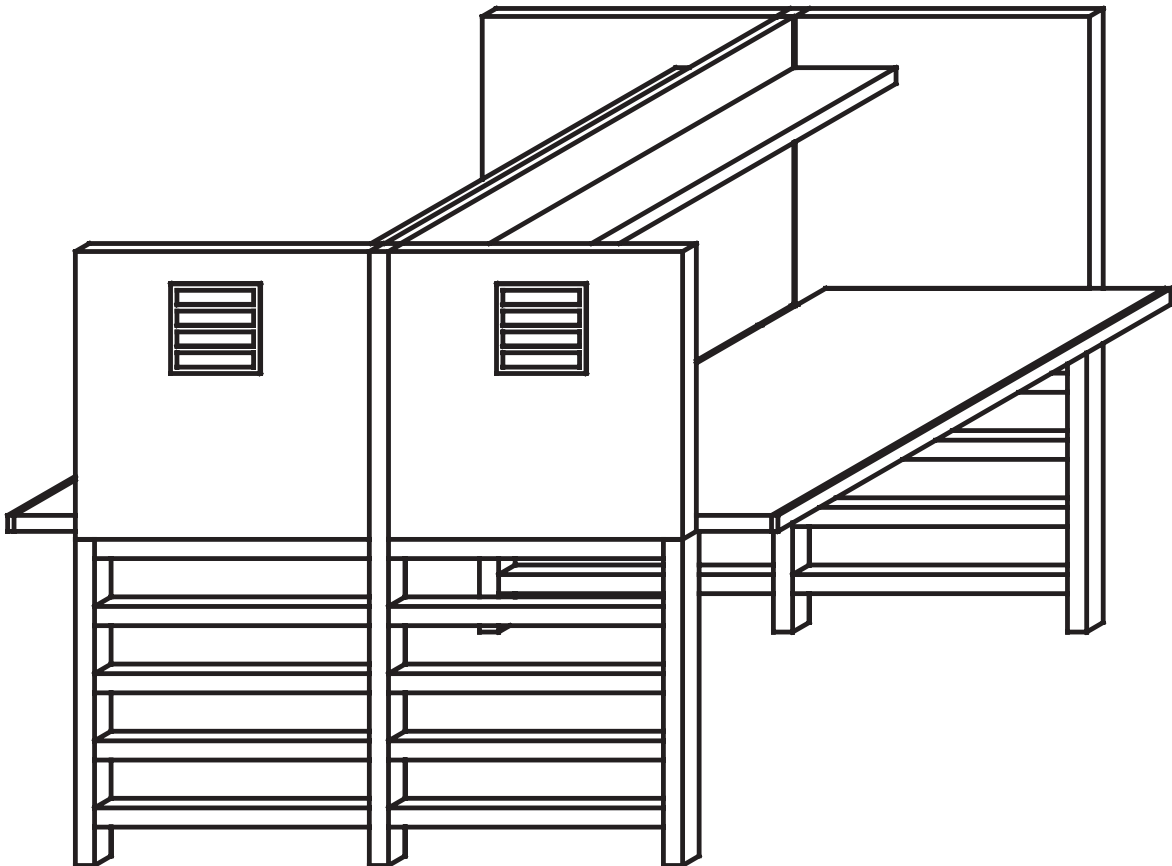
Options

OPTIONS ROMAN GRID DOUBLE FACED CARREL 38", 50" OR 74" WIDE X 61" DEEP X 48" HIGH WITH METAL GRILLS, WOOD PANELS, WORK SURFACES WITH 3/4" THICK X 1 1/4" HIGH SOLID WOOD EDGE BANDED HPL INLAY, 1 1/2" TUBULAR END FRAMES WITH METAL SUPERSTRUCTURE SUPPORTS



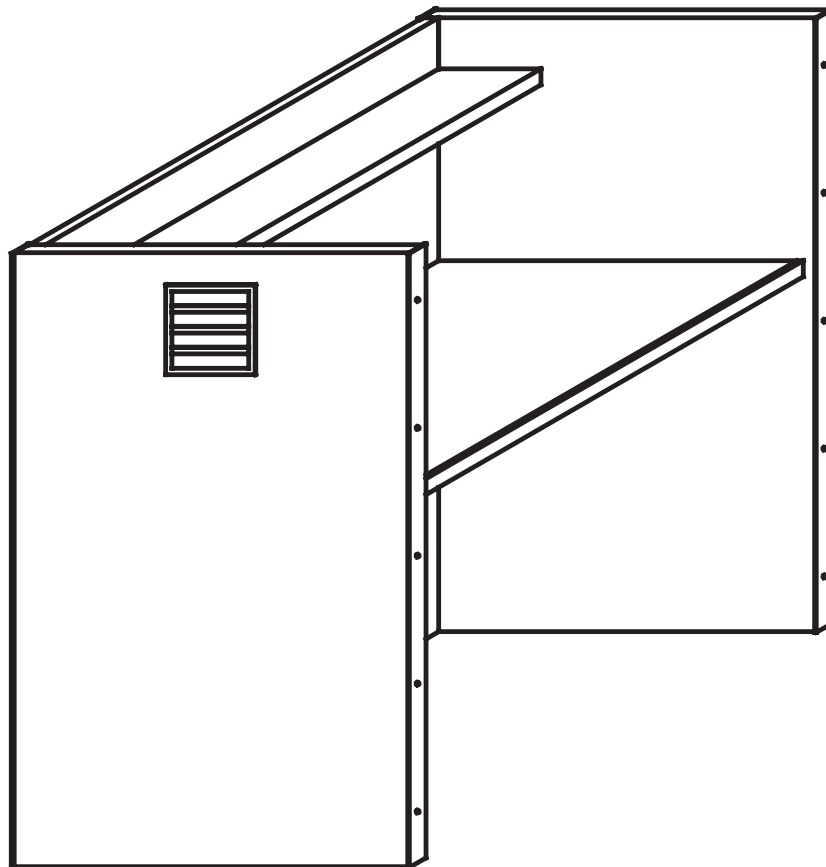
Options

OPTIONS HORIZONTAL DOUBLE FACED CARREL 38", 50" OR 74" WIDE X 61" DEEP X 48" HIGH WITH METAL GRILLS, WOOD PANELS, WORK SURFACES WITH 3/4" THICK X 1 1/4" HIGH SOLID WOOD EDGE BANDED HPL INLAY, 1 1/2" TUBULAR END FRAMES WITH METAL SUPERSTRUCTURE SUPPORTS



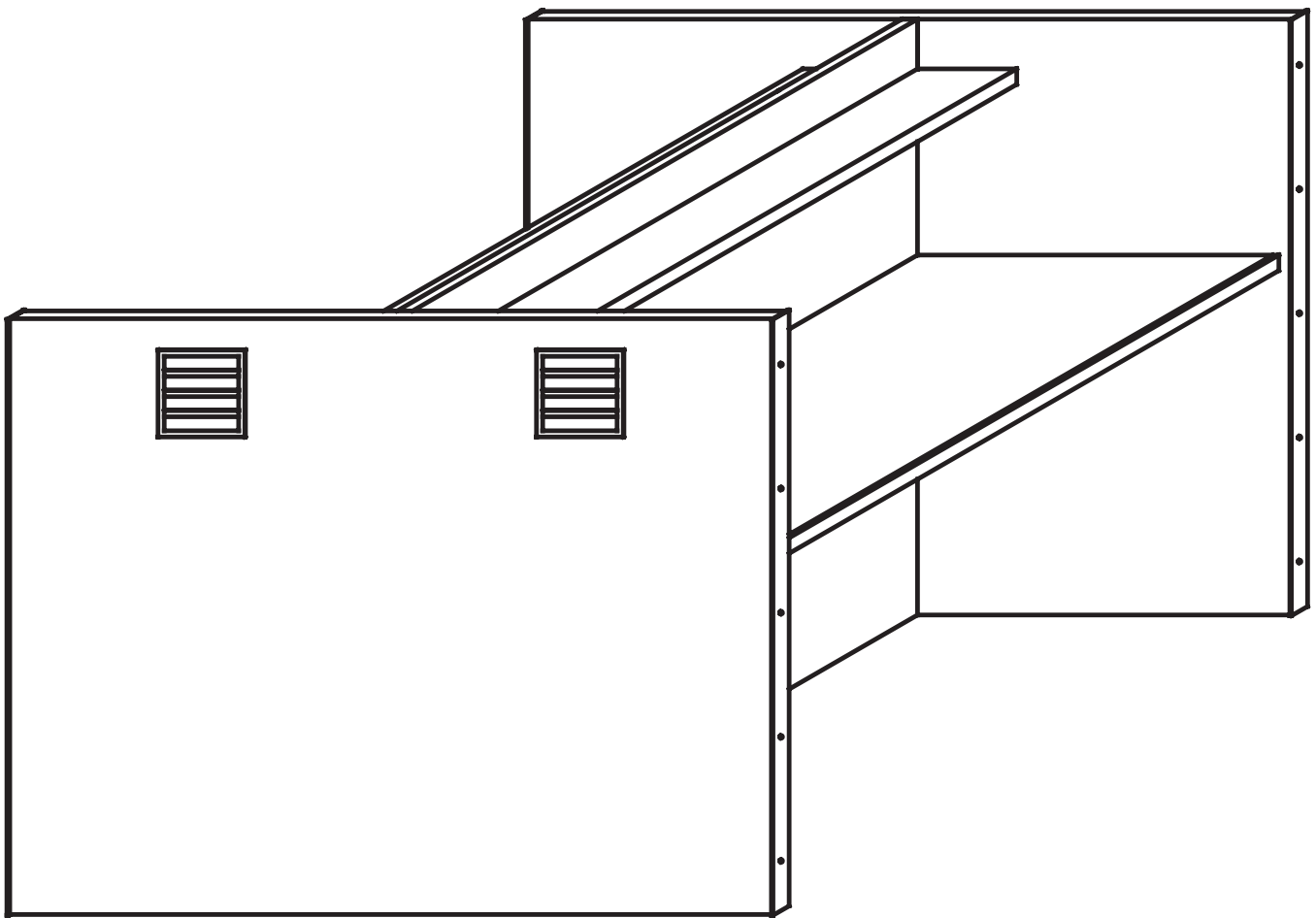
Options

OPTIONS II: SINGLE FACED CARREL 38", 50" OR 74" WIDE X 32" DEEP X 48" HIGH, 1 1/4" THICK WOOD PANELS WITH 1/4" THICK EDGE BANDING, WORK SURFACES WITH 3/4" THICK X 1 1/4" HIGH SOLID WOOD EDGE BANDED HPL INLAY, OPTIONS METAL GRILLS



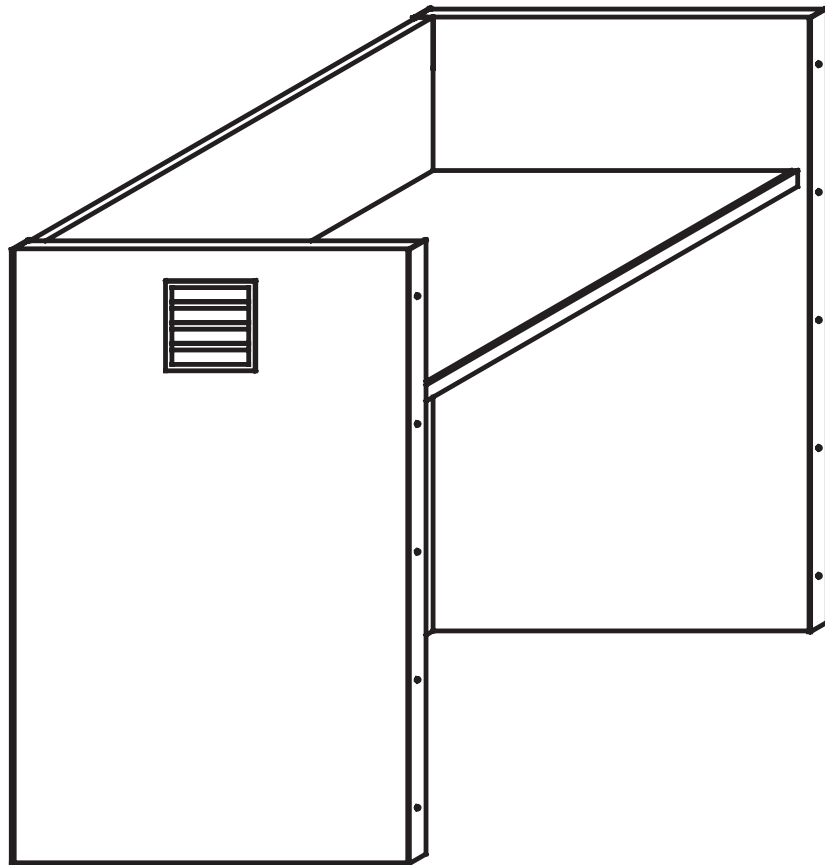
Options

OPTIONS II: DOUBLE FACED CARREL 38", 50" OR 74" WIDE X 63" DEEP X 48" HIGH, 1 1/4" THICK WOOD PANELS WITH 1/4" THICK EDGE BANDING, WORK SURFACES WITH 3/4" THICK X 1 1/4" HIGH SOLID WOOD EDGE BANDED HPL INLAY, OPTIONS METAL GRILLS



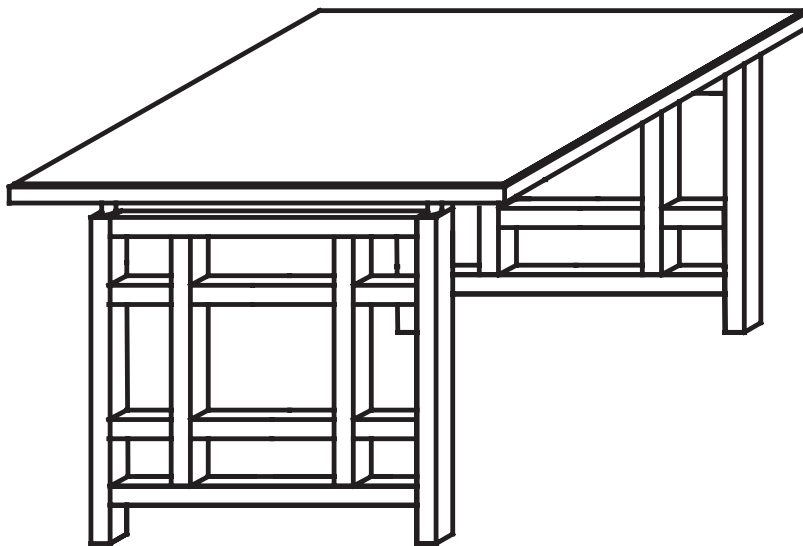
Options

OPTIONS II: SINGLE FACED PAC STATION 24", 30", 38", 50" OR 74" WIDE X 32" DEEP X 39" OR 48" HIGH, 1 1/4" THICK WOOD PANELS WITH 1/4" THICK EDGE BANDING, WORK SURFACES WITH 3/4" THICK X 1 1/4" HIGH SOLID WOOD EDGE BANDED HPL INLAY, OPTIONS METAL GRILLS



Options

OPTIONS HATCH OCCASIONAL TABLE 28" SQUARE X 21" HIGH
WITH 1 1/4" THICK HPL TOP WITH 3/4" THICK WOOD EDGE BAND
AND 1 1/2" TUBULAR END FRAMES WITH METAL SUPERSTRUCTURE
SUPPORTS

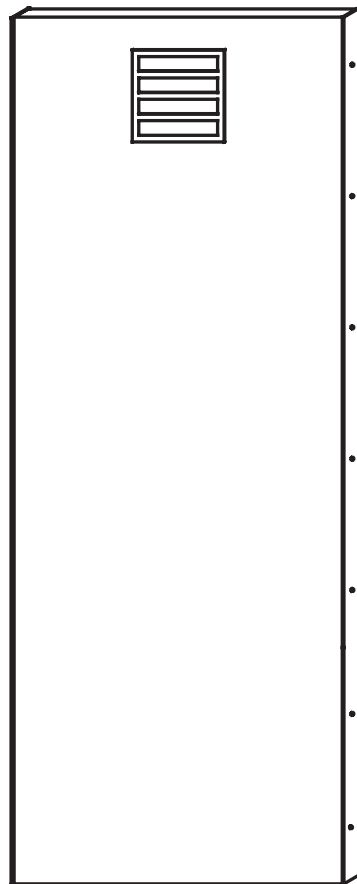
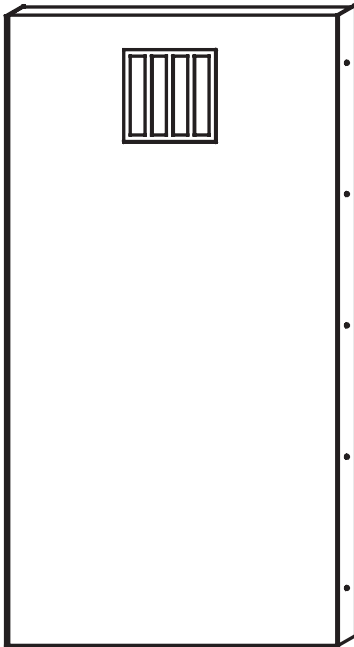


Options

OPTIONS VERTICAL OR HORIZONTALS END PANELS 1" THICK WITH WOOD VENEERS & 1/4" SOLID EDGE BANDING, 1 1/4" WIDE METAL END CAPS AND DECORATIVE METAL GRILLS

HORIZONTAL END PANELS

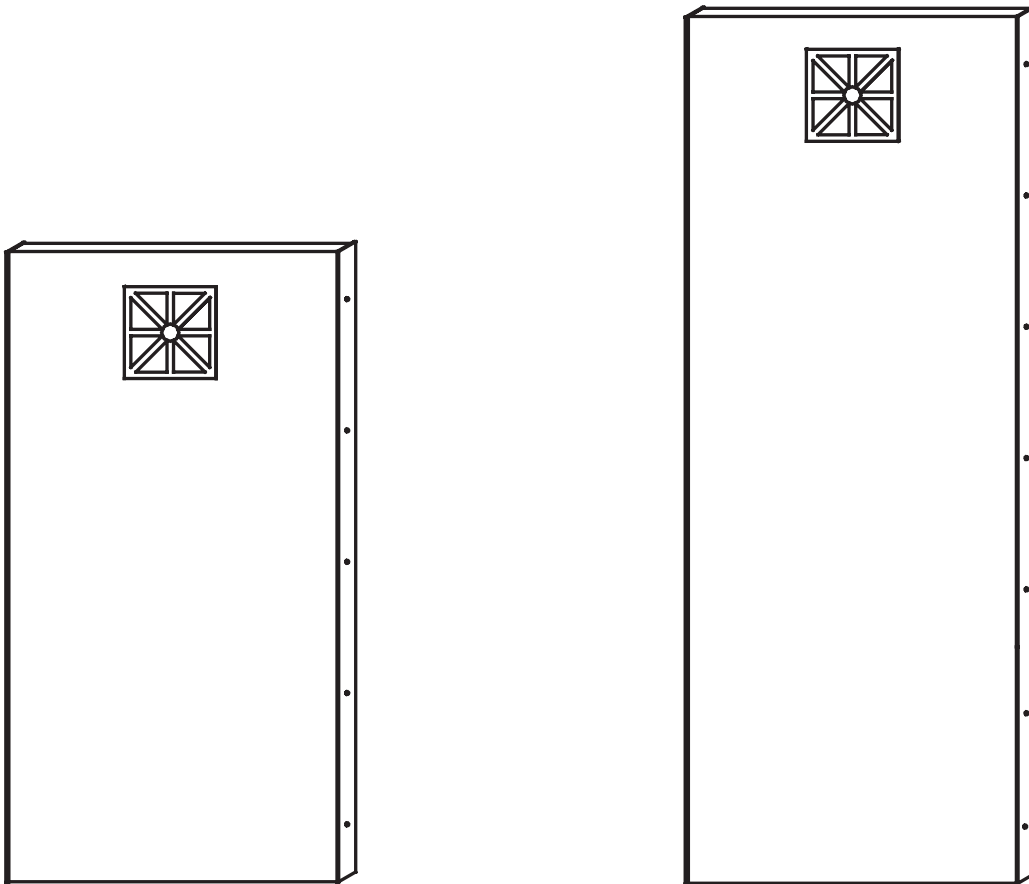
VERTICAL END PANELS



Options

OPTIONS ROMAN GRID END PANELS 1" THICK WITH WOOD VENEERS & 1/4" SOLID EDGE BANDING, 1 1/4" WIDE METAL END CAPS AND DECORATIVE METAL GRILLS

ROMAN GRID END PANELS



Options

OPTIONS ROMAN GRID BENCH 60" WIDE X 18" DEEP
X 18" HIGH WITH UPHOLSTERED SEAT AND 1 1/2" TUBULAR END
FRAMES WITH METAL SUPERSTRUCTURE
SUPPORTS

