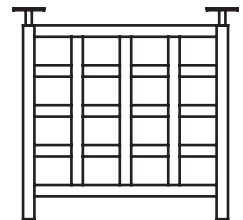
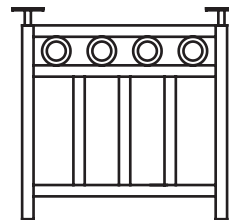
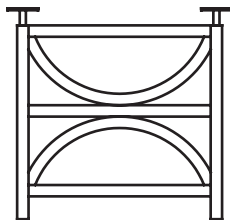
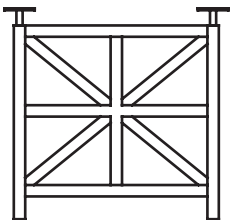
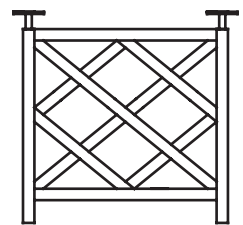
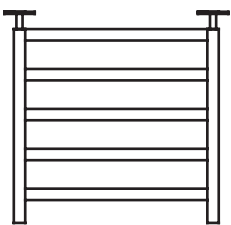
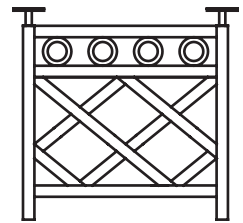
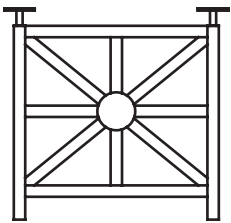




Revolution Products

OPTIONS TECHNICAL LIBRARY FURNITURE 2021 PRICE LIST

EFFECTIVE JULY 1ST 2021, PLEASE ADD 7% TO ALL LIST PRICES IN THIS CATALOG.



Revolution Products
259 Whip O Will Drive
Clinton, SC 29325
864-201-1357

Options

Welcome to Options from Revolution Products, where a plethora of design details will create the perfect furniture for your signature library.

Effective July 1st 2021, please add 7% to all list prices in this catalog.

Index

| | | |
|------|---------------------------------------|------------|
| I. | Terms and Conditions | |
| II. | Options Specification steps | Pgs. 3-7 |
| | a. Edge band choices | Pg. 3 |
| III. | Options Series Model Numbers | Pgs. 9-26 |
| | a. Tables | Pgs. 9-10 |
| | b. IT Tables | Pgs. 11-12 |
| | c. IT adjustable height work stations | Pgs. 13-15 |
| | d. Carrels | Pgs. 16-17 |
| | e. IT stations and electrical | Pgs. 18-19 |
| IV. | Options II Full Panel Carrels | Pgs. 17-18 |
| V. | Options End Panels | Pgs. 19-26 |
| V. | Options A-Frame Tables | Pgs. 27-28 |
| VI. | Product Examples | Pgs. 29-41 |

Options

Terms of Sale: All prices are FOB East Syracuse, NY. Net 30 days from date of shipment. All prices are list and subject to change without notice. Interest of 2% per month will be assessed on past due invoices. Possession of price list does not constitute authority to purchase or sell products herein.

Taxes: All applicable taxes are extra. If a client is tax exempt please provide tax certificate.

Ordering: Orders must have all pertinent information provided before they will be processed and entered including model numbers, quantities and finish, laminate and fabric selections where appropriate. Please provide a requested by date, or not to ship before date on your order.

Warranty: All items are warranted for 5 years unless otherwise stated. Warranty is for initial purchaser and only valid as long as the product is owned by original customer. The warranty, which begins at date of manufacture, covers defects in materials and workmanship found during the normal usage of product during the warranty period. Revolution Products will at its option repair or replace the defective product with a comparable component or product. Warranty does not cover any "Customers Own Material" used in manufacture. Except as stated above, Revolution Products makes no express or implied warranties as to any product and in particular makes no warranty of fitness for any particular use. At Revolution Products option, product repair, or replacement is the customer's exclusive remedy for any and all product defects.

BIFMA and ANSI Testing: All products offered by Revolution Products meet or exceed applicable BIFMA and ANSI testing standards.

New Accounts: New accounts can only be established with the approval of a Revolution Products representative. New accounts will be subject to special credit reference requirements and deposit terms before they are approved.

Options

Step #1: To begin the specification process select the edge band detail from the choices shown below. The number code for your choice must be placed in the blank of the model number as shown in the following example.

Example: O-(base code)3648-O-(EDGE BAND)-(grill code)



(1) Standard Edge
1-1/2" H x 3/4" T



(2) Accent Bevel
Edge 1-1/2" H x
3/4" T



(3) Radiused Edge
1-1/2" H x 3/4" T



(4) Bullnose Edge
1-1/2" H x 3/4" T



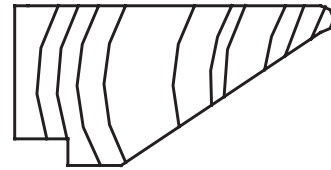
(5) Semi-bullnose
Edge 1-1/2" H x
3/4" T



(6) Traditional Edge
1-1/2" H x 3/4" T



(7) Beveled Edge
1-1/2" H x 1" T
Note: 5% Up charge

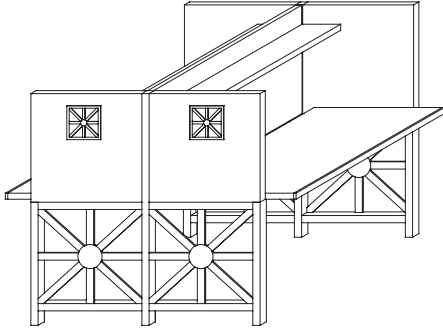


(8) Knife Edge
1-1/2" H x 3" T
Note: 10% Up charge

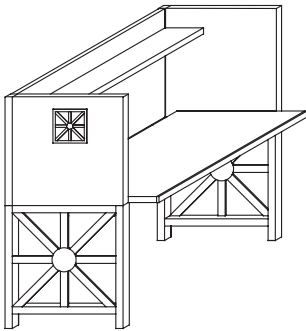
Options

Step #2: Choose the (A) steel Options base design or the (B) wood Options II full panel design. Examples are shown below.

Options

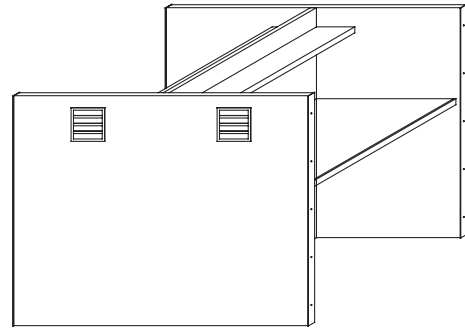


(A) Example of Options D/F carrel

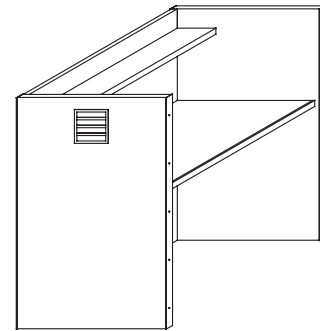


(A) Example of Options S/F carrel

Options II



(B) Example of Options II D/F carrel



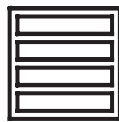
(B) Example of Options II S/F carrel

Step #3: Select a decorative metal grill from the following standards and enter the appropriate letter code in the model number blank as shown in the example:

Example: O-(base code)3648-O-(edge band)-(GRILL CODE)



Verticals Grill (GV)



Horizontals Grill (GH)



Roman Grid Grill (GR)

No Grill Option (GN)

Model numbers for (A) Options steel base furniture are shown on pages 4 - 15

Model numbers for (B) Options II panel style furniture are shown on pages 16-17

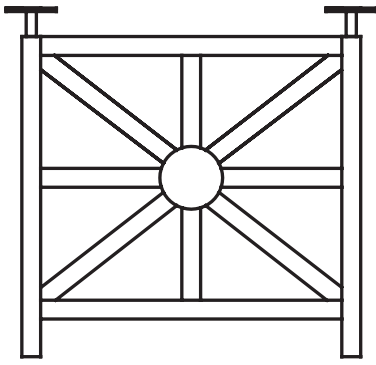
Model numbers for end panels are shown on pages 18-22

Options

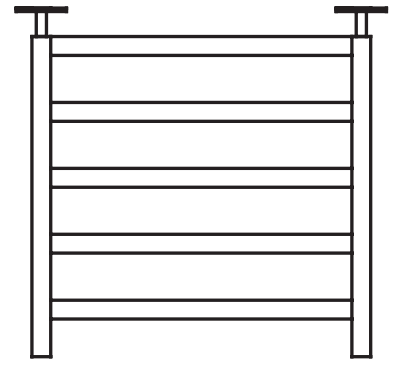
Step #4: For the Options series, select one of the following base designs. Please place the appropriate letter code for the base of your choice in the blank of the model number. For Options II please proceed to page 16 for model numbers.

Example: O-(Letter Code)3648-O
Example: O-(**BASE CODE**)3648-O-(edge band)-(grill code)

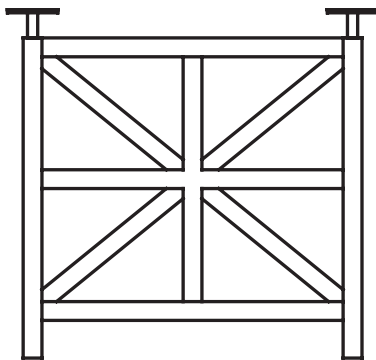
ROMAN GRID (RG)



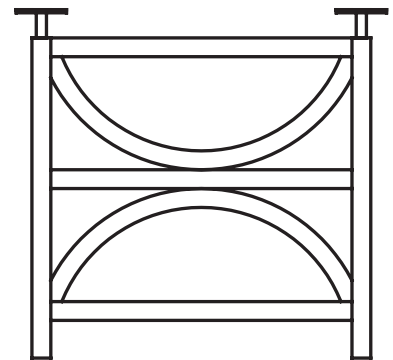
HORIZONTAL (HO)



CROSSINGS (CR)



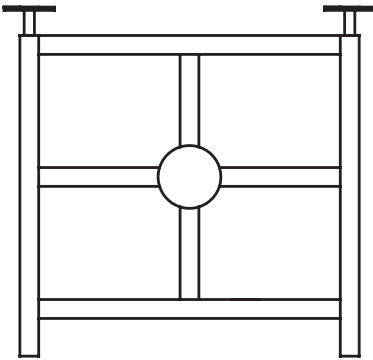
ARC (AR)



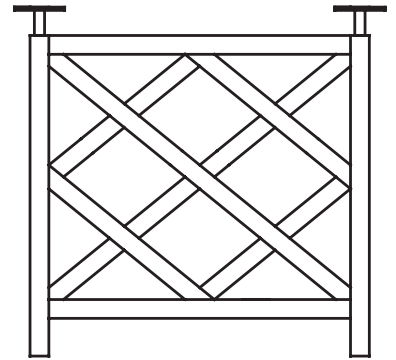
Choices continued on next page

Options

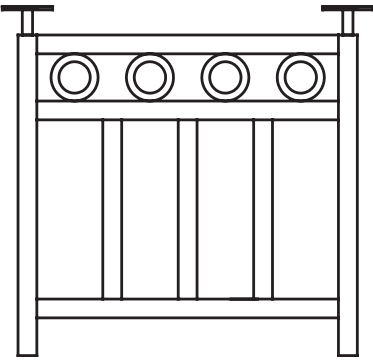
QUADRANT (QU)



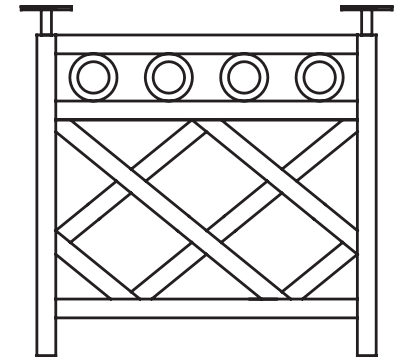
TRELLIS (TR)



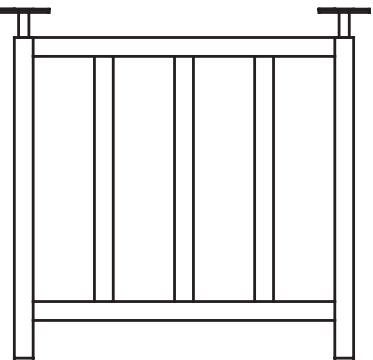
VISION (VI)



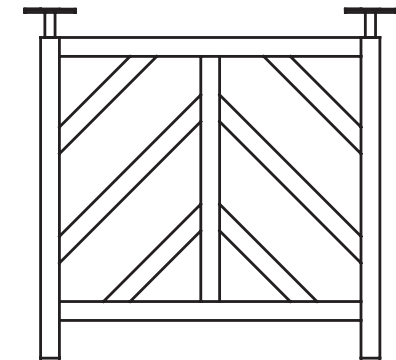
DEGREE (DE)



VERTICAL (VE)



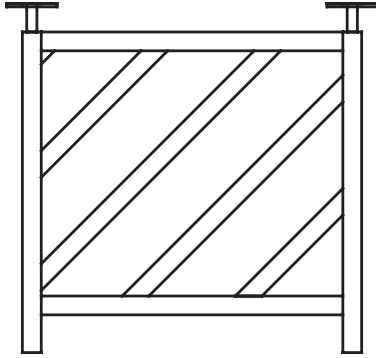
CHEVRON (CH)



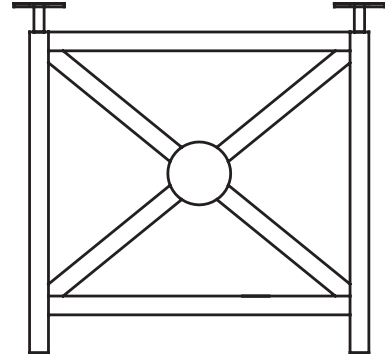
Choices continued on next page

Options

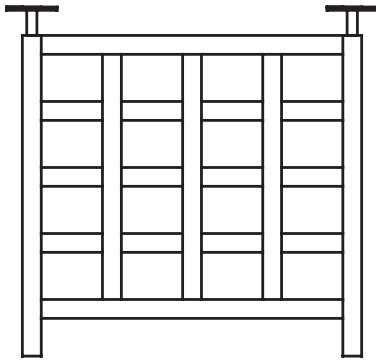
ASCENT (AS)



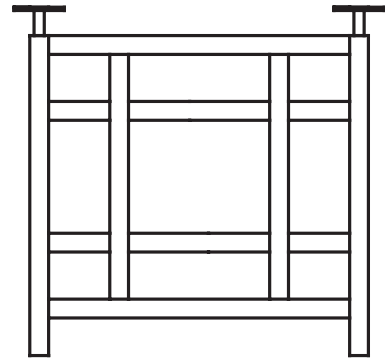
INTERSECTION (IN)



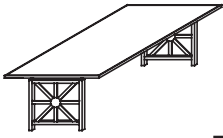
SQUARES (SQ)



HATCH (HA)



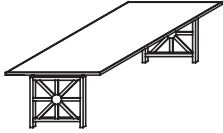
Options



READING TABLES WITH METAL FRAME BASES

| MODEL NUMBER | DESCRIPTION | LIST PRICE |
|------------------|--|------------|
| O- _3648-O- _- _ | Table 36" deep x 48" wide x 29" high with 3/4" thick x 1 1/2" high oak edge banded HPL inlay top, 1 1/2" 12 gauge tubular steel end frames with double keel superstructure support | 3592.00 |
| O- _3060-O- _- _ | Table 30" deep x 60" wide x 29" high with 3/4" thick x 1 1/2" high oak edge banded HPL inlay top, 1 1/2" 12 gauge tubular steel end frames with double keel superstructure support | 3834.00 |
| O- _3660-O- _- _ | Table 36" deep x 60" wide x 29" high with 3/4" thick x 1 1/2" high oak edge banded HPL inlay top, 1 1/2" 12 gauge tubular steel end frames with double keel superstructure support | 4045.00 |
| O- _3672-O- _- _ | Table 36" deep x 72" wide x 29" high with 3/4" thick x 1 1/2" high oak edge banded HPL inlay top, 1 1/2" 12 gauge tubular steel end frames with double keel superstructure support | 4356.00 |
| O- _3696-O- _- _ | Table 36" deep x 96" wide x 29" high with 3/4" thick x 1 1/2" high oak edge banded HPL inlay top, 1 1/2" 12 gauge tubular steel end frames with double keel superstructure support | 4770.00 |
| O- _4272-O- _- _ | Table 42" deep x 72" wide x 29" high with 3/4" thick x 1 1/2" high oak edge banded HPL inlay top, 1 1/2" 12 gauge tubular steel end frames with double keel superstructure support | 4389.00 |
| O- _4284-O- _- _ | Table 42" deep x 84" wide x 29" high with 3/4" thick x 1 1/2" high oak edge banded HPL inlay top, 1 1/2" 12 gauge tubular steel end frames with double keel superstructure support | 5348.00 |
| O- _4296-O- _- _ | Table 42" deep x 96" wide x 29" high with 3/4" thick x 1 1/2" high oak edge banded HPL inlay top, 1 1/2" 12 gauge tubular steel end frames with double keel superstructure support | 4810.00 |
| O- _4872-O- _- _ | Table 48' deep x 72" wide x 29" high with 3/4" thick x 1 1/2" high oak edge banded HPL inlay top, 1 1/2" 12 gauge tubular steel end frames with double keel superstructure support | 4398.00 |

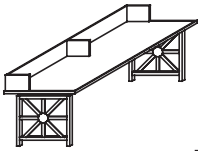
Options



READING TABLES WITH METAL FRAME BASES (continued)

| MODEL NUMBER | DESCRIPTION | LIST PRICE |
|----------------|--|------------|
| O-_4884-O-_-_- | Table 48" deep x 84" wide x 29" high with 3/4" thick x 1 1/2" high oak edge banded HPL inlay top, 1 1/2" 12 gauge tubular steel end frames with double keel superstructure support | 4685.00 |
| O-_4896-O-_-_- | Table 48" deep x 96" wide x 29" high with 3/4" thick x 1 1/2" high oak edge banded HPL inlay top, 1 1/2" 12 gauge tubular steel end frames with double keel superstructure support | 4873.00 |
| O-_3636-O-_-_- | Table 36" square x 29" high with 3/4" thick x 1 1/2" high oak edge banded HPL inlay top, 1 1/2" 12 gauge tubular steel frame | 3459.00 |
| O-_4242-O-_-_- | Table 42" square x 29" high with 3/4" thick x 1 1/2" high oak edge banded HPL inlay top, 1 1/2" 12 gauge tubular steel frame | 3558.00 |
| O-_4848-O-_-_- | Table 48" square x 29" high with 3/4" thick x 1 1/2" high oak edge banded HPL inlay top, 1 1/2" 12 gauge tubular steel frame | 3918.00 |
| O-_6060-O-_-_- | Table 60" square x 29" high with 3/4" thick x 1 1/2" high oak edge banded HPL inlay top, 1 1/2" 12 gauge tubular steel frame | 4561.00 |
| O-_36R-O-_-_- | Table 36" round x 29" high with 3/4" thick x 1 1/2" high oak edge banded HPL inlay top, 1 1/2" 12 gauge tubular steel frame | 3853.00 |
| O-_42R-O-_-_- | Table 42" round x 29" high with 3/4" thick x 1 1/2" high oak edge banded HPL inlay top, 1 1/2" 12 gauge tubular steel frame | 3578.00 |
| O-_48R-O-_-_- | Table 48" round x 29" high with 3/4" thick x 1 1/2" high oak edge banded HPL inlay top, 1 1/2" 12 gauge tubular steel frame | 3948.00 |
| O-_60R-O-_-_- | Table 60" round x 29" high with 3/4" thick x 1 1/2" high oak edge banded HPL inlay top, 1 1/2" 12 gauge tubular steel frame | 4586.00 |
| WOOD | Wood inlay veneered inset panel in base frames - add suffix WOOD | 786.00 |
| Suffix -M | For maple edge banding change suffix O to M and add 7 percent | |
| Suffix -C | For cherry edge banding change suffix O to C and add 20 percent | |

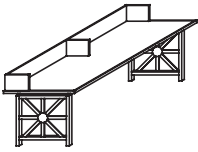
Options



INFORMATION TECHNOLOGY TABLES WITH METAL FRAME BASES & MONITOR RACKS

| MODEL NUMBER | DESCRIPTION | LIST PRICE |
|--------------------|---|------------|
| O-_3036-O-IT-_-_- | IT table 30" deep x 36" wide with 3/4" thick x 1 1/2" high oak edge banded HPL inlay top with 8" high monitor rack across the back extending forward 10" at each end (Select from 29", 32" or 36" top heights) | 4342.00 |
| O-_3048-O-IT-_-_- | IT table 30" deep x 48" wide with 3/4" thick x 1 1/2" high oak edge banded HPL inlay top with 8" high monitor rack across the back extending forward 10" at each end (Select from 29", 32" or 36" top heights) | 4573.00 |
| O-_3060-O-IT-_-_- | IT table 30" deep x 60" wide with 3/4" thick x 1 1/2" high oak edge banded HPL inlay top with 8" high monitor rack across the back extending forward 10" at each end (Select from 29", 32" or 36" top heights) | 5255.00 |
| O-_3072-O-IT2-_-_- | IT table 30" deep x 72" wide with 3/4" thick x 1 1/2" high oak edge banded HPL inlay top with 8" high monitor rack across the back extending forward 10" at the ends and the center point, making 2 separate study areas (Select from 29", 32", or 36" high top height) | 5647.00 |
| O-_3096-O-IT2-_-_- | IT table 30" deep x 96" wide with 3/4" thick x 1 1/2" high oak edge banded HPL inlay top with 8" high monitor rack across the back extending forward 10" at the ends and the center point, making 2 separate study areas (Select from 29", 32", or 36" high top height) | 6349.00 |
| O-_3096-O-IT3-_-_- | IT table 30" deep x 96" wide with 3/4" thick x 1 1/2" high oak edge banded HPL inlay top with 8" high monitor rack across the back extending forward 10" at the ends and 2 equal points, making 3 separate study areas (Select from 29", 32", or 36" high top height) | 6440.00 |
| O-_3036-O-IT-_-_- | IT table 30" deep x 36" wide with 3/4" thick x 1 1/2" high oak edge banded HPL inlay top with 8" high monitor rack across the back extending forward 10" at each end (Select from 29", 32" or 36" top heights) | 4685.00 |
| O-_3048-O-IT-_-_- | IT table 30" deep x 48" wide with 3/4" thick x 1 1/2" high oak edge banded HPL inlay top with 8" high monitor rack across the back extending forward 10" at each end (Select from 29", 32" or 36" top heights) | 4734.00 |

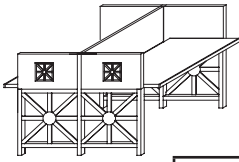
Options



INFORMATION TECHNOLOGY TABLES WITH METAL FRAME BASES & MONITOR RACKS (continued)

| MODEL NUMBER | DESCRIPTION | LIST PRICE |
|--------------------|--|------------|
| O-_3060-O-IT-_-_- | IT table 30" deep x 60" wide with 3/4" thick x 1 1/2" high oak edge banded HPL inlay top with 8" high monitor rack across the back extending forward 10" at each end (Select from 29", 32" or 36" top heights) | 5459.00 |
| O-_3072-O-IT2-_-_- | IT table 30" deep x 72" wide with 3/4" thick x 1 1/2" high oak edge banded HPL inlay top with 8" high monitor rack across the back extending forward 10" at the ends and the center point, making 2 separate study areas (Select from 29", 32", or 36" high top height) | 5892.00 |
| O-_3096-O-IT2-_-_- | IT table 30" deep x 96" wide with 3/4" thick x 1 1/2" high oak edge banded HPL inlay top with 8" high monitor rack across the back extending forward 10" at the ends and the center point, making 2 separate study areas (Select from 29", 32", or 36" high top height) | 6654.00 |
| WOOD | Wood inlay veneered inset panel in base frames - add suffix WOOD | 820.00 |
| SUFFIX -M | For maple edge banding and monitor rack change suffix O to M and add 7 percent | |
| SUFFIX -C | For cherry edge banding and monitor rack change suffix O to C and add 20 percent | |

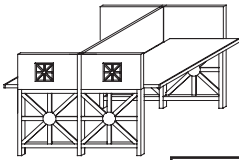
Options



INFORMATION TECHNOLOGY WORK STATIONS, ADJUSTABLE HEIGHT WORK SURFACE & METAL GRILLS

| MODEL NUMBER | DESCRIPTION | LIST PRICE |
|----------------------|--|------------|
| O-_3136-O-ITS-_-_- | IT work station starter 31" deep x 36" wide x 39" high with 12 gauge tubular steel metal frame base, oak side and back panels with 1/4" solid oak edge banding, 1 1/4" thick adjustable height work surface with 3/4" thick edge banding and 2" cord drop/pencil stop banded with 1/2" thick solid oak, decorative metal grills | 4762.00 |
| O-_3136-O-ITS-A-_-_- | IT work station adder 31" deep x 36" wide x 39" high with 12 gauge tubular steel metal frame base, oak side and back panels with 1/4" solid oak edge banding, 1 1/4" thick adjustable height work surface with 3/4" thick edge banding and 2" cord drop/pencil stop banded with 1/2" thick solid oak | 3581.00 |
| O-_3148-O-ITS-_-_- | IT work station starter 31" deep x 48" wide x 39" high with 12 gauge tubular steel metal frame base, oak side and back panels with 1/4" solid oak edge banding, 1 1/4" thick adjustable height work surface with 3/4" thick edge and 2" cord drop/pencil stop banded with 1/2" thick solid oak, decorative metal grills | 5168.00 |
| O-_3148-O-ITS-A-_-_- | IT work station adder 31" deep x 48" wide x 39" high with 12 gauge tubular steel metal frame base, oak side and back panels with 1/4" solid oak edge banding, 1 1/4" thick adjustable height work surface with 3/4" thick edge banding and 2" cord drop/pencil stop banded with 1/2" thick solid oak, | 3990.00 |
| O-_3172-O-ITS-_-_- | IT work station starter 31" deep x 72" wide x 39" high with 12 gauge tubular steel metal frame base, oak side and back panels with 1/4" solid oak edge banding, 1 1/4" thick adjustable height work surface with 3/4" thick edge banding and 2" cord drop/ pencil stop banded with 1/2" thick solid oak, decorative metal grills | 5779.00 |
| O-_3172-O-ITS-A-_-_- | IT work station adder 31" deep x 72" wide x 39" high with 12 gauge tubular steel metal frame base, oak side and back panels with 1/4" solid oak edge banding, 1 1/4" thick adjustable height work surface with 3/4" thick edge banding and 2" cord drop/pencil stop banded with 1/2" thick solid oak, decorative metal grills | 4600.00 |

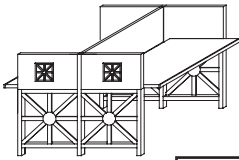
Options



INFORMATION TECHNOLOGY WORK STATIONS, ADJUSTABLE HEIGHT WORK SURFACE & METAL GRILLS (continued)

| MODEL NUMBER | DESCRIPTION | LIST PRICE |
|------------------------|---|------------|
| O-__3136-O-DF-ITS-__ | IT double faced work station starter 61" deep x 38" wide x 39" high with 12 | 8079.00 |
| | gauge tubular steel metal frame base, oak side and back panels with 1/4" | |
| | solid oak edge banding, 2 each 1 1/4" thick adjustable height work surfaces | |
| | 3/4" thick edge banding and 2" cord drop/pencil stop banded with 1/2" thick | |
| | solid oak, decorative metal grills | |
| O-__3136-O-DF-ITS-A-__ | IT double faced work station adder 61" deep x 36" wide x 39" high with 12 | 6717.00 |
| | gauge tubular steel metal frame base, oak side and back panels with 1/4" | |
| | solid oak edge banding, 2 each 1 1/4" thick adjustable height work surfaces | |
| | 3/4" thick edge banding and 2" cord drop/pencil stop banded with 1/2" thick | |
| | solid oak | |
| O-__3148-O-DF-ITS-__ | IT double faced work station starter 61" deep x 50" wide x 39" high with 12 | 8894.00 |
| | gauge tubular steel metal frame base, oak side and back panels with 1/4" | |
| | solid oak edge banding, 2 each 1 1/4" thick adjustable height work surfaces | |
| | 3/4" thick edge banding and 2" cord drop/pencil stop banded with 1/2" thick | |
| | solid oak, decorative metal grills | |
| O-__3148-O-DF-ITS-A-__ | IT double faced work station adder 61" deep x 48" wide x 39" high with 12 | 7529.00 |
| | gauge tubular steel metal frame base, oak side and back panels with 1/4" | |
| | solid oak edge banding, 2 each 1 1/4" thick adjustable height work surfaces | |
| | 3/4" thick edge banding and 2" cord drop/pencil stop banded with 1/2" thick | |
| | solid oak | |
| O-__3172-O-DF-ITS-__ | IT double faced work station starter 61" deep x 74" wide x 39" high with 12 | 9844.00 |
| | gauge tubular steel metal frame base, oak side and back panels with 1/4" | |
| | solid oak edge banding, 2 each 1 1/4" thick adjustable height work surfaces | |
| | 3/4" thick edge banding and 2" cord drop/pencil stop banded with 1/2" thick | |
| | solid oak, decorative metal grills | |

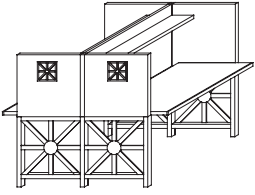
Options



INFORMATION TECHNOLOGY WORK STATIONS, ADJUSTABLE HEIGHT WORK SURFACE & METAL GRILLS (continued)

| MODEL NUMBER | DESCRIPTION | LIST PRICE |
|----------------------------|---|---------------|
| O-__3172-O-DF- ITS-A-__ | IT double faced work station adder 61" deep x 72" wide x 39" high with 12 | 8749.00 |
| | gauge tubular steel metal frame base, oak side and back panels with 1/4" | |
| | solid oak edge banding, 2 each 1 1/4" thick adjustable height work surfaces | |
| | 3/4" thick edge banding and 2" cord drop/pencil stop banded with 1/2" thick | |
| | solid oak | |
| SUFFIX-M | For above products in maple change suffix O to M and add 7 percent. | |
| SUFFIX-C | For above products in cherry change suffix O to C and add 20 percent. | |

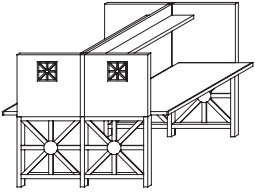
Options



STUDY CARRELS WITH METAL BASES, ADJUSTABLE HEIGHT WORK SURFACE & METAL GRILLS

| MODEL NUMBER | DESCRIPTION | LIST PRICE |
|-----------------------|---|------------|
| O- _3136-O- _- _ | Carrel work station starter 31" deep x 38" wide x 48" high with 12 gauge tubular steel metal frame base, oak side and back panels with 1/4" solid oak edge banding, 1 1/4" thick adjustable height work surface with 3/4" thick edge banding and 2" cord drop/pencil stop banded with 1/2" thick solid oak, decorative metal grills | 5632.00 |
| O- _3136-O-A- _- _ | Carrel work station adder 31" deep x 36 1/2" wide x 48" high with 12 gauge tubular steel metal frame base, oak side and back panels with 1/4" solid oak edge banding, 1 1/4" thick adjustable height work surface with 3/4" thick edge banding and 2" cord drop/pencil stop banded with 1/2" thick solid oak, decorative metal grills | 3963.00 |
| O- _3150-O- _- _ | Carrel work station starter 31" deep x 50" wide x 48" high with 12 gauge tubular steel metal frame base, oak side and back panels with 1/4" solid oak edge banding, 1 1/4" thick adjustable height work surface with 3/4" thick edge banding and 2" cord drop/pencil stop banded with 1/2" thick solid oak, decorative metal grills | 6225.00 |
| O- _3148-O-A- _- _ | Carrel work station adder 31" deep x 48 1/2" wide x 48" high with 12 gauge tubular steel metal frame base, oak side and back panels with 1/4" solid oak edge banding, 1 1/4" thick adjustable height work surface with 3/4" thick edge banding and 2" cord drop/pencil stop banded with 1/2" thick solid oak, decorative metal grills | 4577.00 |
| O- _3136-O-DF- _- _ | Carrel work station, double faced, starter 61" deep x 38" wide x 48" high, 12 gauge tubular steel metal frame base, oak side and back panels with 1/4" solid oak edge banding, 2 each 1 1/4" thick adjustable height work surface with 3/4" thick edge banding and 2" cord drop/pencil stop banded with 1/2" thick solid oak, decorative metal grills | 9826.00 |
| O- _3136-O-DF-A- _- _ | Carrel work station, double faced, adder 61" deep x 36 1/2" wide x 48", 12 gauge tubular steel metal frame base, oak side and back panels with 1/4" solid oak edge banding, 2 each 1 1/4" thick adjustable height work surface with 3/4" thick edge banding and 2" cord drop/pencil stop banded with 1/2" thick solid oak | 6565.00 |

Options



STUDY CARRELS WITH METAL BASES, ADJUSTABLE HEIGHT WORK SURFACE & METAL GRILLS (continued)

| MODEL NUMBER | DESCRIPTION | LIST PRICE |
|---------------------|---|------------|
| O-_3148-O-DF--_ _ | Carrel work station, double faced, starter 61" deep x 50" wide x 48" high | 10968.00 |
| | 12 gauge tubular steel metal frame base, oak side and back panels with 1/4" | |
| | solid oak edge banding, 2 each 1 1/4" thick adjustable height work surface | |
| | with 3/4" thick edge banding and 2" cord drop/pencil stop banded with 1/2" | |
| | thick solid oak | |
| | | |
| O-_3148-O-DF-A-_-_- | Carrel work station, double faced, adder 61" deep x 48 1/2" wide x 48" high | 7544.00 |
| | 12 gauge tubular steel metal frame base, oak side and back panels with 1/4" | |
| | solid oak edge banding, 2 each 1 1/4" thick adjustable height work surface | |
| | with 3/4" thick edge banding and 2" cord drop/pencil stop banded with 1/2" | |
| | thick solid oak | |
| | | |
| | | |
| SUFFIX-M | For maple display products change suffix O to M and add 7 percent | |
| | | |
| SUFFIX-C | For cherry display products change suffix O to C and add 20 percent | |

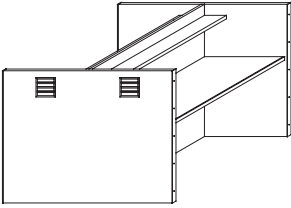
Options

| Model Number | Description | List Price |
|-----------------|--|------------|
| O-IT-3036 | Options IT Station 30" Deep x 36" Wide x (height) with base frame assembly, 9" High modesty panel and 1-1/4" Thick HPL top with 3MM pvc edge | 976.00 |
| O-IT-3042 | Options IT Station 30" Deep x 42" Wide x (height) with base frame assembly, 9" High modesty panel and 1-1/4" Thick HPL top with 3MM pvc edge | 1037.00 |
| O-IT-3048 | Options IT Station 30" Deep x 48" Wide x (height) with base frame assembly, 9" High modesty panel and 1-1/4" Thick HPL top with 3MM pvc edge | 1074.00 |
| O-IT-3054 | Options IT Station 30" Deep x 54" Wide x (height) with base frame assembly, 9" High modesty panel and 1-1/4" Thick HPL top with 3MM pvc edge | 1111.00 |
| O-IT-3060 | Options IT Station 30" Deep x 60" Wide x (height) with base frame assembly, 9" High modesty panel and 1-1/4" Thick HPL top with 3MM pvc edge | 1183.00 |
| O-IT-3072 | Options IT Station 30" Deep x 72" Wide x (height) with base frame assembly, 9" High modesty panel and 1-1/4" Thick HPL top with 3MM pvc edge | 1282.00 |
| O-IT-3084 | Options IT Station 30" Deep x 84" Wide x (height) with base frame assembly, 9" High modesty panel and 1-1/4" Thick HPL top with 3MM pvc edge | 1496.00 |
| O-IT-3096 | Options IT Station 30" Deep x 96" Wide x (height) with base frame assembly, 9" High modesty panel and 1-1/4" Thick HPL top with 3MM pvc edge | 1595.00 |
| O-IT-303048C | Options IT Corner Station 30" Deep x 48" Wide x (height) with base frame assembly, back corner leg, 9" High modesty panel and 1-1/4" Thick HPL top with 3MM pvc edge | 1429.00 |
| O-IT-1-Filler | Options IT Vertical steel filler panel - wire manager black | 94.00 |
| O-IT-GRM-2 | Grommet 2" Diameter | 38.00 |
| O-IT-PERF | Perforated Modesty panel with 1/4" perforations, up charge per foot | 59.00 |
| O-IT-MOD | Modify width or height, use next largest size and add | 149.00 |
| O-IT-FULLMP | Modify to Full Height modesty panel | 173.00 |
| O-IT-EH | Electrical Pass Through hole in leg | 38.00 |
| O-IT-ADA | Modify to ADA height (Does not include a modesty panel) | 378.00 |
| O-IT-ADAMOD | Modify to add modesty panel to ADA station | 351.00 |
| O-IT-ADAADJ | Modify to adjustable height table, 6" adjustment (Does not include modesty panel) | 743.00 |
| O-IT-CAST | Set of 4 plastic locking casters | 151.00 |
| O-IT-PE1 | Single circuit power entry | 356.00 |
| O-IT-PE-1-1Q | Single circuit power entry with intelligent power linking system | 475.00 |
| O-IT-PE4 | 4 Circuit power entry | 481.00 |
| O-IT-DUPX | Duplex receptacle power block | 89.00 |
| O-IT-DCM | Duplex connection module | 24.00 |
| O-IT-JUMP-12/36 | Electrical jumper with shielded cable 12" to 36" long | 195.00 |
| O-IT-JUMP-12/36 | Electrical jumper with shielded cable 42" to 72" long | 235.00 |
| O-IT-WM48-PVC | Wire manager up to 48" long x 4" deep PVC | 240.00 |
| O-IT-WM48-PVC | Wire Manager up to 72" Long x 4" deep PVC | 285.00 |
| O-IT-WM48-MTL | Wire manager up to 48" long x 2 3/4" x 2 3/4" high, couples with modesty panel, metal | 149.00 |

Options

| Model Number | Description | List Price |
|----------------------------|---|------------|
| O-IT-WM72-MTL | Wire manager up to 72" long x 2 3/4" x 2 3/4" high, couples with modesty panel, metal | 188.00 |
| O-IT-ELD48 | Wire manager, jumper, duplex outlet, 4" PVC wire manager up to 48" with hanger brackets | 476.00 |
| O-IT-ELD72 | Wire manager, jumper, duplex outlet, 4" PVC wire manager up to 72" with hanger brackets | 548.00 |
| O-IT-ELDD48 | Wire manager, jumper, 2 duplex outlets, 4" PVC wire manager up to 48" with hanger brackets | 624.00 |
| O-IT-ELDD72 | Wire manager, jumper, 2 duplex outlets, 4" PVC wire manager up to 72" with hanger brackets | 705.00 |
| O-IT-2P-2BD-N | Tip-up power module, black plastic, 2 outlets, 2 blank data ports, 72" cord | 447.00 |
| O-IT-2P-1USB-1BD-N | Tip-up power module, black plastic, 2 outlets, 1 dual USB, 1 blank data port, 72" cord | 595.00 |
| O-IT-2P-2BD-MI | Tip-up power module, black plastic, 2 outlets, 2 blank data ports, 72" cord | 377.00 |
| O-IT-3P-1BD-MI | Tip-up power module, black plastic, 3 outlets, 1 blank data port, 72" cord | 448.00 |
| O-IT-4P-MI | Tip-up power module, black plastic, 4 outlets, 72" cord | 519.00 |
| O-IT-2P-2BD-MO | Tip-up power module, clear aluminum, 2 outlets, 2 blank data ports, 72" cord | 500.00 |
| O-IT-2P-1USB-1BD-MO | Tip-up power module, clear aluminum, 2 outlets, 1 dual USB, 1 blank data port, 72" cord | 667.00 |
| O-IT-2P-2BD-SL-MI | Tip-up power module, clear aluminum, 2 outlets, 2 blank data ports, and Smart Link system | 429.00 |
| O-IT-2P-1USB-1BD-SL-MI | Tip-up power module, clear aluminum, 2 outlets, 1 dual USB, 1 blank data port, and Smart Link system | 608.00 |
| O-IT-6P-2USB-SIDE-MO | Side by side tip-up power module, clear aluminum, 6 outlets, 2 dual USB, 72" cord | 1668.00 |
| O-IT-2P-1USB-1DR-SUR | Flat mount power module, 2 outlets, 1 dual USB, 1 blank port, intelligent power system, white | 505.00 |
| O-IT-1P-SIMPLEX | Simplex outlet replacing blank data port | 71.00 |
| O-IT-1USB | Dual USB charging module replacing 1 blank data port *not available on MI units | 179.00 |
| O-IT-CPURCK | Adjustable CPU holder | 356.00 |
| O-IT-BFPED | Hanging Box/File Pedestal | 1376.00 |
| O-IT-ARYBD | Articulating keyboard tray | 1007.00 |
| O-IT-POKYBD | Pull out keyboard tray | 495.00 |
| O-IT-MonitorLift | Pneumatic Monitor Lift Unit (1 Unit required per Monitor) Requires full height modesty panel upcharge | 999.00 |
| O-IT-MM | Under counter multimedia unit, 4 outlets, 1 audio port, 1 dual USB, 2 blank data ports, under counter mount | 1429.00 |
| O-IT-MM-4P-1AU-1USB-2BD-UC | Under counter multimedia unit, 2 outlets, 1RJ45 Cat6 data jack, 1 VGA DB15HD Female, 1 audio 3.5 mm stereo, 1 HDMI 2 user drop share kit, 1 HDMI coupler, under counter mount | 4625.00 |
| O-IT-LED-24 | LED light 24" with dimmer | 494.00 |
| O-IT-LED-36 | LED light 36" with dimmer | 556.00 |
| O-IT-DRIV | LED light driver | 81.00 |

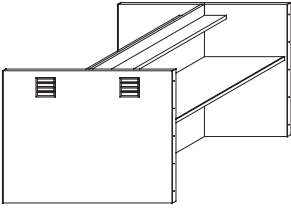
Options II



OPTIONS II STUDY CARRELS WITH METAL END CAPS AND DECORATIVE GRILLS

| MODEL NUMBER | DESCRIPTION | LIST PRICE |
|----------------------|---|------------|
| OII-3136-O-_-_- | Study carrel starter 31 5/8" deep x 38" wide x 48" high with metal end caps and metal grills, oak side and back panels with 1/4" thick edge banding, 1 1/4" thick HPL work surface with 3/4" thick oak edge banding and 2" cord drop/pencil stop banded with 1/2" solid oak | 4596.00 |
| OII-3136-O-A-_-_- | Study carrel adder 31 5/8" deep x 36 1/2" wide x 48" high with metal end caps, oak side and back panels with 1/4" thick edge banding , 1 1/4" thick HPL work surface with 3/4" thick oak edge banding and 2" cord drop/pencil stop banded with 1/2" solid oak | 3178.00 |
| OII-3148-O-_-_- | Study carrel starter 31 5/8" deep x 50" wide x 48" high with metal end caps and metal grills, oak side and back panels with 1/4" thick edge banding, 1 1/4" thick HPL work surface with 3/4" thick oak edge banding and 2" cord drop/pencil stop banded with 1/2" solid oak | 5146.00 |
| OII-3148-O-A-_-_- | Study carrel adder 31 5/8" deep x 48 1/2" wide x 48" high with metal end caps, oak side and back panels with 1/4" thick edge banding , 1 1/4" thick HPL work surface with 3/4" thick oak edge banding and 2" cord drop/pencil stop banded with 1/2" solid oak | 3727.00 |
| OII-6136-DF-O-_-_- | Study carrel, double faced, starter 61 1/2" deep x 38" wide x 48" high with metal end caps and metal grills, oak side and back panels with 1/4" thick edge banding, 2 each 1 1/4" thick HPL work surface with 3/4" thick oak edge banding and 2" cord drop/pencil stop banded with 1/2" thick solid oak | 7927.00 |
| OII-6136-O-DF-A-_-_- | Study carrel, double faced, adder 61 1/2" deep x 36 1/2" wide x 48" high with metal end caps, oak side and back panels with 1/4" thick edge banding, 2 each 1 1/4" thick HPL work surface with 3/4" thick oak edge banding and 2" cord drop/pencil stop banded with 1/2" thick solid oak | 4777.00 |
| OII-6148-O-DF-_-_- | Study carrel, double faced, starter 61 1/2" deep x 50" wide x 48" high with metal end caps and metal grills, oak side and back panels with 1/4" thick edge banding, 2 each 1 1/4" thick HPL work surface with 3/4" thick oak edge banding and 2" cord drop/pencil stop banded with 1/2" thick solid oak | 8803.00 |

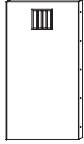
Options II



OPTIONS II STUDY CARRELS WITH METAL END CAPS AND DECORATIVE GRILLS (continued)

| MODEL NUMBER | DESCRIPTION | LIST PRICE |
|--------------------|---|------------|
| OII-6148-O-DF-A-_- | Study carrel, double faced, adder 61 1/2" deep x 48 1/2" wide x 48" high with | 6017.00 |
| | metal end caps, oak side and back panels with 1/4" thick edge banding, 2 each 1 | |
| | 1/4" thick HPL work surface with 3/4" thick oak edge banding and 2" cord drop/ | |
| | pencil stop banded with 1/2" thick solid oak | |
| SUFFIX-M | For maple study carrels change suffix O to M and add 7 percent | |
| SUFFIX-C | For cherry study carrels change suffix O to C and add 20 percent | |

Options



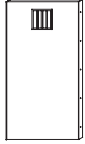
OPTIONS END PANELS IN OAK WITH 1/4" SOLID OAK EDGE BANDING, METAL END CAPS & METAL GRILL

| MODEL NUMBER | DESCRIPTION | LIST PRICE |
|--------------|---|------------|
| O-4412-DF-O_ | End panel 44" high x 12" deep with metal grill & metal end caps on both long ends | 773.00 |
| O-4413-DF-O_ | End panel 44" high x 13" deep with metal grill & metal end caps on both long ends | 789.00 |
| O-4414-DF-O_ | End panel 44" high x 14" deep with metal grill & metal end caps on both long ends | 814.00 |
| O-4416-DF-O_ | End panel 44" high x 16" deep with metal grill & metal end caps on both long ends | 835.00 |
| O-4418-DF-O_ | End panel 44" high x 18" deep with metal grill & metal end caps on both long ends | 1056.00 |
| O-4420-DF-O_ | End panel 44" high x 20" deep with metal grill & metal end caps on both long ends | 1083.00 |
| O-4422-DF-O_ | End panel 44" high x 22" deep with metal grill & metal end caps on both long ends | 1118.00 |
| O-4424-DF-O_ | End panel 44" high x 24" deep with metal grill & metal end caps on both long ends | 1148.00 |
| O-4425-DF-O_ | End panel 44" high x 25" deep with metal grill & metal end caps on both long ends | 1090.00 |
| O-4428-DF-O_ | End panel 44" high x 28" deep with metal grill & metal end caps on both long ends | 762.00 |
| O-4432-DF-O_ | End panel 44" high x 32" deep with metal grill & metal end caps on both long ends | 1270.00 |
| O-4812-DF-O_ | End panel 48" high x 12" deep with metal grill & metal end caps on both long ends | 815.00 |
| O-4813-DF-O_ | End panel 48" high x 13" deep with metal grill & metal end caps on both long ends | 835.00 |
| O-4814-DF-O_ | End panel 48" high x 14" deep with metal grill & metal end caps on both long ends | 874.00 |
| O-4816-DF-O_ | End panel 48" high x 16" deep with metal grill & metal end caps on both long ends | 876.00 |
| O-4818-DF-O_ | End panel 48" high x 18" deep with metal grill & metal end caps on both long ends | 1106.00 |
| O-4820-DF-O_ | End panel 48" high x 20" deep with metal grill & metal end caps on both long ends | 1139.00 |
| O-4822-DF-O_ | End panel 48" high x 22" deep with metal grill & metal end caps on both long ends | 1177.00 |
| O-4824-DF-O_ | End panel 48" high x 24" deep with metal grill & metal end caps on both long ends | 1213.00 |

PLEASE NOTE: END PANELS WILL NOT HAVE SPECIAL EDGE DETAIL



Options



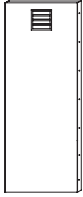
OPTIONS END PANELS IN OAK WITH 1/4" SOLID OAK EDGE BANDING, METAL END CAPS & METAL GRILL (continued)

| MODEL NUMBER | DESCRIPTION | LIST PRICE |
|--------------|---|------------|
| O-4825-DF-O_ | End panel 48" high x 25" deep with metal grill & metal end caps on both long ends | 1248.00 |
| O-4828-DF-O_ | End panel 48" high x 28" deep with metal grill & metal end caps on both long ends | 1310.00 |
| O-4832-DF-O_ | End panel 48" high x 32" deep with metal grill & metal end caps on both long ends | 1469.00 |
| O-5012-DF-O_ | End panel 50" high x 12" deep with metal grill & metal end caps on both long ends | 853.00 |
| O-5013-DF-O_ | End panel 50" high x 13" deep with metal grill & metal end caps on both long ends | 876.00 |
| O-5014-DF-O_ | End panel 50" high x 14" deep with metal grill & metal end caps on both long ends | 918.00 |
| O-5016-DF-O_ | End panel 50" high x 16" deep with metal grill & metal end caps on both long ends | 997.00 |
| O-5018-DF-O_ | End panel 50" high x 18" deep with metal grill & metal end caps on both long ends | 1090.00 |
| O-5020-DF-O_ | End panel 50" high x 20" deep with metal grill & metal end caps on both long ends | 1165.00 |
| O-5022-DF-O_ | End panel 50" high x 22" deep with metal grill & metal end caps on both long ends | 1200.00 |
| O-5024-DF-O_ | End panel 50" high x 24" deep with metal grill & metal end caps on both long ends | 1259.00 |
| O-5025-DF-O_ | End panel 50" high x 25" deep with metal grill & metal end caps on both long ends | 1375.00 |
| O-5028-DF-O_ | End panel 50" high x 28" deep with metal grill & metal end caps on both long ends | 1506.00 |
| O-5032-DF-O_ | End panel 50" high x 32" deep with metal grill & metal end caps on both long ends | 1674.00 |
| O-6612-DF-O_ | End panel 66" high x 12" deep with metal grill & metal end caps on both long ends | 878.00 |
| O-6613-DF-O_ | End panel 66" high x 13" deep with metal grill & metal end caps on both long ends | 907.00 |
| O-6614-DF-O_ | End panel 66" high x 14" deep with metal grill & metal end caps on both long ends | 960.00 |
| O-6616-DF-O_ | End panel 66" high x 16" deep with metal grill & metal end caps on both long ends | 1183.00 |
| O-6618-DF-O_ | End panel 66" high x 18" deep with metal grill & metal end caps on both long ends | 1227.00 |

PLEASE NOTE: END PANELS WILL NOT HAVE SPECIAL EDGE DETAIL



Options



OPTIONS END PANELS IN OAK WITH 1/4" SOLID OAK EDGE BANDING, METAL END CAPS & METAL GRILL (continued)

| MODEL NUMBER | DESCRIPTION | LIST PRICE |
|--------------|---|------------|
| O-6620-DF-O_ | End panel 66" high x 20" deep with metal grill & metal end caps on both long ends | 1273.00 |
| | | |
| O-6622-DF-O_ | End panel 66" high x 22" deep with metal grill & metal end caps on both long ends | 1355.00 |
| | | |
| O-6624-DF-O_ | End panel 66" high x 24" deep with metal grill & metal end caps on both long ends | 1373.00 |
| | | |
| O-6625-DF-O_ | End panel 66" high x 25" deep with metal grill & metal end caps on both long ends | 1409.00 |
| | | |
| O-6628-DF-O_ | End panel 66" high x 28" deep with metal grill & metal end caps on both long ends | 1589.00 |
| | | |
| O-6632-DF-O_ | End panel 66" high x 32" deep with metal grill & metal end caps on both long ends | 1626.00 |
| | | |
| O-7812-DF-O_ | End panel 78" high x 12" deep with metal grill & metal end caps on both long ends | 908.00 |
| | | |
| O-7813-DF-O_ | End panel 78" high x 13" deep with metal grill & metal end caps on both long ends | 950.00 |
| | | |
| O-7814-DF-O_ | End panel 78" high x 14" deep with metal grill & metal end caps on both long ends | 1027.00 |
| | | |
| O-7816-DF-O_ | End panel 78" high x 16" deep with metal grill & metal end caps on both long ends | 1263.00 |
| | | |
| O-7818-DF-O_ | End panel 78" high x 18" deep with metal grill & metal end caps on both long ends | 1313.00 |
| | | |
| O-7820-DF-O_ | End panel 78" high x 20" deep with metal grill & metal end caps on both long ends | 1371.00 |
| | | |
| O-7822-DF-O_ | End panel 78" high x 22" deep with metal grill & metal end caps on both long ends | 1453.00 |
| | | |
| O-7824-DF-O_ | End panel 78" high x 24" deep with metal grill & metal end caps on both long ends | 1477.00 |
| | | |
| O-7825-DF-O_ | End panel 78" high x 25" deep with metal grill & metal end caps on both long ends | 1578.00 |
| | | |
| O-7828-DF-O_ | End panel 78" high x 28" deep with metal grill & metal end caps on both long ends | 1623.00 |
| | | |
| O-7832-DF-O_ | End panel 78" high x 32" deep with metal grill & metal end caps on both long ends | 1786.00 |
| | | |
| O-8412-DF-O_ | End panel 84" high x 12" deep with metal grill & metal end caps on both long ends | 967.00 |
| | | |
| O-8413-DF-O_ | End panel 84" high x 13" deep with metal grill & metal end caps on both long ends | 1014.00 |

PLEASE NOTE: END PANELS WILL NOT HAVE SPECIAL EDGE DETAIL

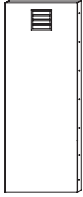
Options

OPTIONS END PANELS IN OAK WITH 1/4" SOLID OAK EDGE BANDING, METAL END CAPS & METAL GRILL (continued)

| MODEL NUMBER | DESCRIPTION | LIST PRICE |
|--------------|---|------------|
| O-8414-DF-O_ | End panel 84" high x 14" deep with metal grill & metal end caps on both long ends | 1166.00 |
| O-8416-DF-O_ | End panel 84" high x 16" deep with metal grill & metal end caps on both long ends | 1302.00 |
| O-8418-DF-O_ | End panel 84" high x 18" deep with metal grill & metal end caps on both long ends | 1359.00 |
| O-8420-DF-O_ | End panel 84" high x 20" deep with metal grill & metal end caps on both long ends | 1415.00 |
| O-8422-DF-O_ | End panel 84" high x 22" deep with metal grill & metal end caps on both long ends | 1496.00 |
| O-8424-DF-O_ | End panel 84" high x 24" deep with metal grill & metal end caps on both long ends | 1550.00 |
| O-8425-DF-O_ | End panel 84" high x 25" deep with metal grill & metal end caps on both long ends | 1656.00 |
| O-8428-DF-O_ | End panel 84" high x 28" deep with metal grill & metal end caps on both long ends | 1742.00 |
| O-8432-DF-O_ | End panel 84" high x 32" deep with metal grill & metal end caps on both long ends | 1939.00 |
| O-9012-DF-O_ | End panel 90" high x 12" deep with metal grill & metal end caps on both long ends | 1022.00 |
| O-9013-DF-O_ | End panel 90" high x 13" deep with metal grill & metal end caps on both long ends | 1076.00 |
| O-9014-DF-O_ | End panel 90" high x 14" deep with metal grill & metal end caps on both long ends | 1165.00 |
| O-9016-DF-O_ | End panel 90" high x 16" deep with metal grill & metal end caps on both long ends | 1348.00 |
| O-9018-DF-O_ | End panel 90" high x 18" deep with metal grill & metal end caps on both long ends | 1403.00 |
| O-9020-DF-O_ | End panel 90" high x 20" deep with metal grill & metal end caps on both long ends | 1463.00 |
| O-9022-DF-O_ | End panel 90" high x 22" deep with metal grill & metal end caps on both long ends | 1615.00 |
| O-9024-DF-O_ | End panel 90" high x 24" deep with metal grill & metal end caps on both long ends | 1641.00 |
| O-9025-DF-O_ | End panel 90" high x 25" deep with metal grill & metal end caps on both long ends | 1695.00 |
| O-9028-DF-O_ | End panel 90" high x 28" deep with metal grill & metal end caps on both long ends | 1923.00 |

PLEASE NOTE: END PANELS WILL NOT HAVE SPECIAL EDGE DETAIL

Options



OPTIONS END PANELS IN OAK WITH 1/4" SOLID OAK EDGE BANDING, METAL END CAPS & METAL GRILL (continued)

| MODEL NUMBER | DESCRIPTION | LIST PRICE |
|----------------|---|------------|
| O-9032-DF-O-__ | End panel 90" high x 32" deep with metal grill & metal end caps on both long ends | 2057.00 |
| | | |
| SUFFIX-M | For maple end panels change suffix O to M and add 7 percent | |
| | | |
| SUFFIX-C | For cherry end panels change suffix O to C and 20 percent | |

PLEASE NOTE: END PANELS WILL NOT HAVE SPECIAL EDGE DETAIL

Options

ANGLE SERIES RECTANGULAR TABLES WITH SQUARE TUBULAR FRAMES, HPL INLAY TOPS

| MODEL NUMBER | DESCRIPTION | 3MM PVC EDGE | 3MM KNIFE EDGE | 3MM WOOD EDGE | 1 1/4" THICK WOOD EDGE |
|--------------|--|--------------|----------------|---------------|------------------------|
| AS-2436 | Angle Series Rectangular table 24" deep x 36" wide x 30" high with square tubular angled bases, HPL inlay tops, top depth may be 19" to 24" deep | 1495.00 | 1591.00 | 1757.00 | 1976.00 |
| AS-2448 | Angle Series rectangular table 24" deep x 48" wide x 30" high with square tubular angled bases, HPL inlay tops, top depth may be 19" to 24" deep | 1574.00 | 1703.00 | 1893.00 | 2220.00 |
| AS-2460 | Angle Series rectangular table 24" deep x 60" wide x 30" high with square tubular angled bases, HPL inlay tops, top depth may be 19" to 24" deep | 1610.00 | 1755.00 | 1982.00 | 2340.00 |
| AS-2472 | Angle Series rectangular table 24" deep x 72" wide x 30" high with square tubular angled bases, HPL inlay tops, top depth may be 19" to 24" deep | 1679.00 | 1850.00 | 2104.00 | 2598.00 |
| AS-2484 | Angle Series rectangular table 24" deep x 84" wide x 30" high with square tubular angled bases, HPL inlay tops, top depth may be 19" to 24" deep | 1930.00 | 2155.00 | 2415.00 | 2910.00 |
| AS-2496 | Angle Series rectangular table 24" deep x 96" wide x 30" high with square tubular angled bases, HPL inlay tops, top depth may be 19" to 24" deep | 2008.00 | 2265.00 | 2552.00 | 3094.00 |
| AS-3036 | Angle Series rectangular table 30" deep x 36" wide x 30" high with square tubular angled bases, HPL inlay tops, top depth may be 25" to 30" deep | 1558.00 | 1679.00 | 1852.00 | 2144.00 |
| AS-3048 | Angle Series rectangular table 30" deep x 48" wide x 30" high with square tubular bases, HPL inlay tops, top depth may be 25" to 30" deep | 1655.00 | 1815.00 | 2008.00 | 2359.00 |
| AS-3060 | Angle Series rectangular table 30" deep x 60" wide x 30" high with square tubular bases, HPL inlay tops, top depth may be 25" to 30" deep | 1686.00 | 1831.00 | 2063.00 | 2416.00 |
| AS-3072 | Angle Series rectangular table 30" deep x 72" wide x 30" high square tubular angled bases, HPL inlay tops, top depth may be 25" to 30" deep | 1224.00 | 1425.00 | 1682.00 | 2229.00 |
| AS-3084 | Angle Series rectangular table 30" deep x 84" wide x 30" high with square tubular bases, HPL inlay tops, top depth may be 25" to 30" deep | 2068.00 | 2346.00 | 2593.00 | 3093.00 |
| AS-3096 | Angle Series rectangular table 30" deep x 96" wide x 30" high with square tubular bases, HPL inlay tops, top depth may be 25" to 30" deep | 2166.00 | 2484.00 | 2749.00 | 3300.00 |

Options

ANGLE SERIES SQUARE & ROUND TABLES WITH SQUARE TUBULAR X ANGLED BASES, HPL INLAY TOPS

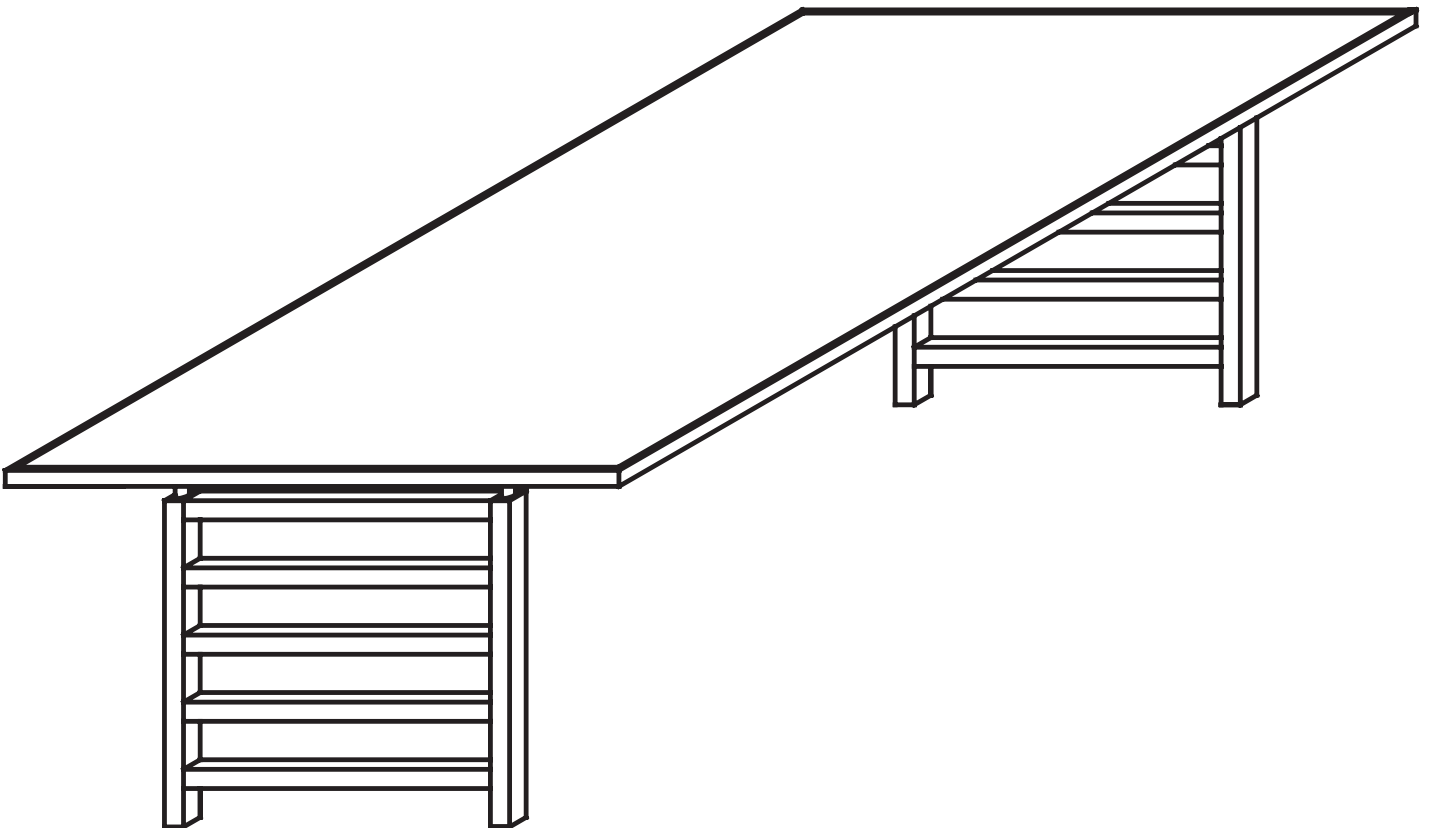
| MODEL NUMBER | DESCRIPTION | 3MM PVC EDGE | 3MM KNIFE EDGE | 3MM WOOD EDGE | 1 1/4" THICK WOOD EDGE |
|--------------|---|--------------|----------------|---------------|------------------------|
| AS-3636-SQ | Angle Series square table 36 square x 30" high with square tubular angled X base, HPL inlay top | 1518.00 | 1663.00 | 1841.00 | 2159.00 |
| AS-4242-SQ | Angle Series square table 42 square x 29" high with square tubular angled X base, HPL inlay top | 1668.00 | 1862.00 | 2051.00 | 2415.00 |
| AS-4848-SQ | Angle Series square table 48 square x 29" high with square tubular angled X base, HPL inlay top | 1845.00 | 2316.00 | 2291.00 | 2694.00 |
| AS-36-RO | Round table 36" diameter x 29" high with tubular X base, HPL inlay top | 1622.00 | 1810.00 | 1895.00 | 2769.00 |
| AS-42-RO | Round table 42" diameter x 29" high with tubular X base, HPL inlay top | 1253.00 | 1509.00 | 1582.00 | 2611.00 |
| TRO-48-XB | Round table 48" diameter x 29" high with tubular X base, HPL inlay top | 1322.00 | 1597.00 | 1692.00 | 3046.00 |

ANGLE SERIES MODESTY PANELS & ACCESSORIES

| MODEL NUMBER | DESCRIPTION | LIST PRICE |
|----------------|--|------------|
| MODESTY-MTL-36 | Modesty panel in metal 36" to 60" wide x 9 1/2" high | 351.00 |
| MODESTY-MTL-72 | Modesty panel in metal 72" to 96" wide x 9 1/2" high | 416.00 |
| MODESTY-HPL-36 | Modesty panel in HPL with PVC edge banding 36" to 60" wide x 11 1/2" high | 378.00 |
| MODESTY-HPL-72 | Modesty panel in HPL with PVC edge banding 72" to 96" wide x 11 1/2" high | 443.00 |
| MODESTY-PERF | Perforated metal modesty panel | 648.00 |
| KEEL | Steel top support keel | 140.00 |
| GRM-2-BLK | Grommet 2" diameter in black with cover | 38.00 |
| PASS-HOLE | Electrical/Data pass thru hold in metal frame | 49.00 |
| MOD-HEIGHT | Modify height of table base | 238.00 |
| MOD-WIDTH | Modify width of table | 162.00 |
| IS-ELE-2P-1USB | In-surface spill proof duplex outlet and dual USB charging unit silver/black | 627.00 |
| SPECIAL-LAM | For special color laminate add 10 percent | |
| SPECIAL-PVC | For Non Standard PVC edge banding add 4 percent | |

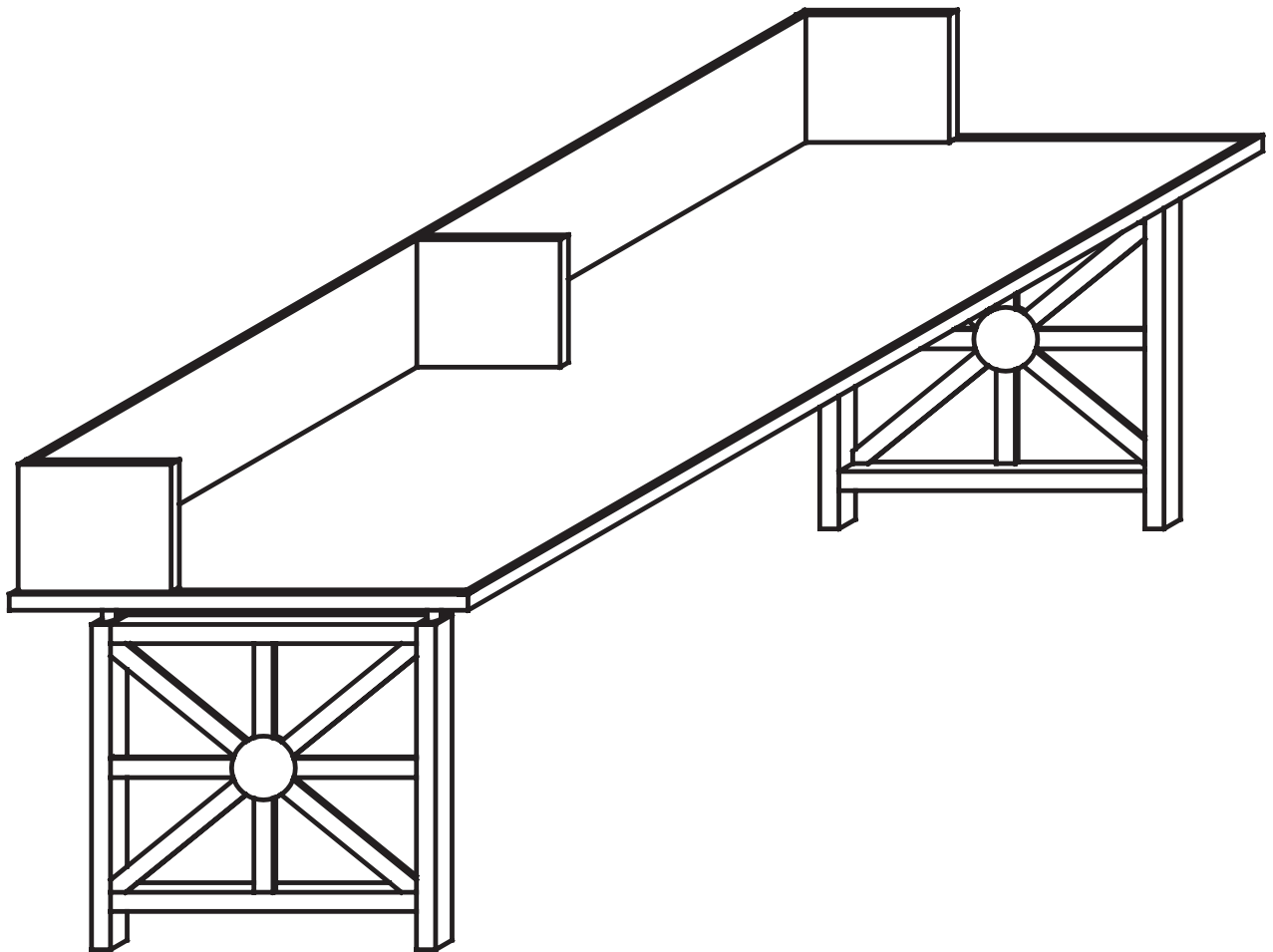
Options

OPTIONS HORIZONTAL READING TABLE 72" WIDE X 48" DEEP X 29" HIGH, 3/4" THICK X 1 1/2" DEEP SOLID WOOD EDGE BANDING WITH HPL INLAY TOP, 1 1/2" TUBULAR END FRAMES WITH METAL SUPERSTRUCTURE SUPPORT



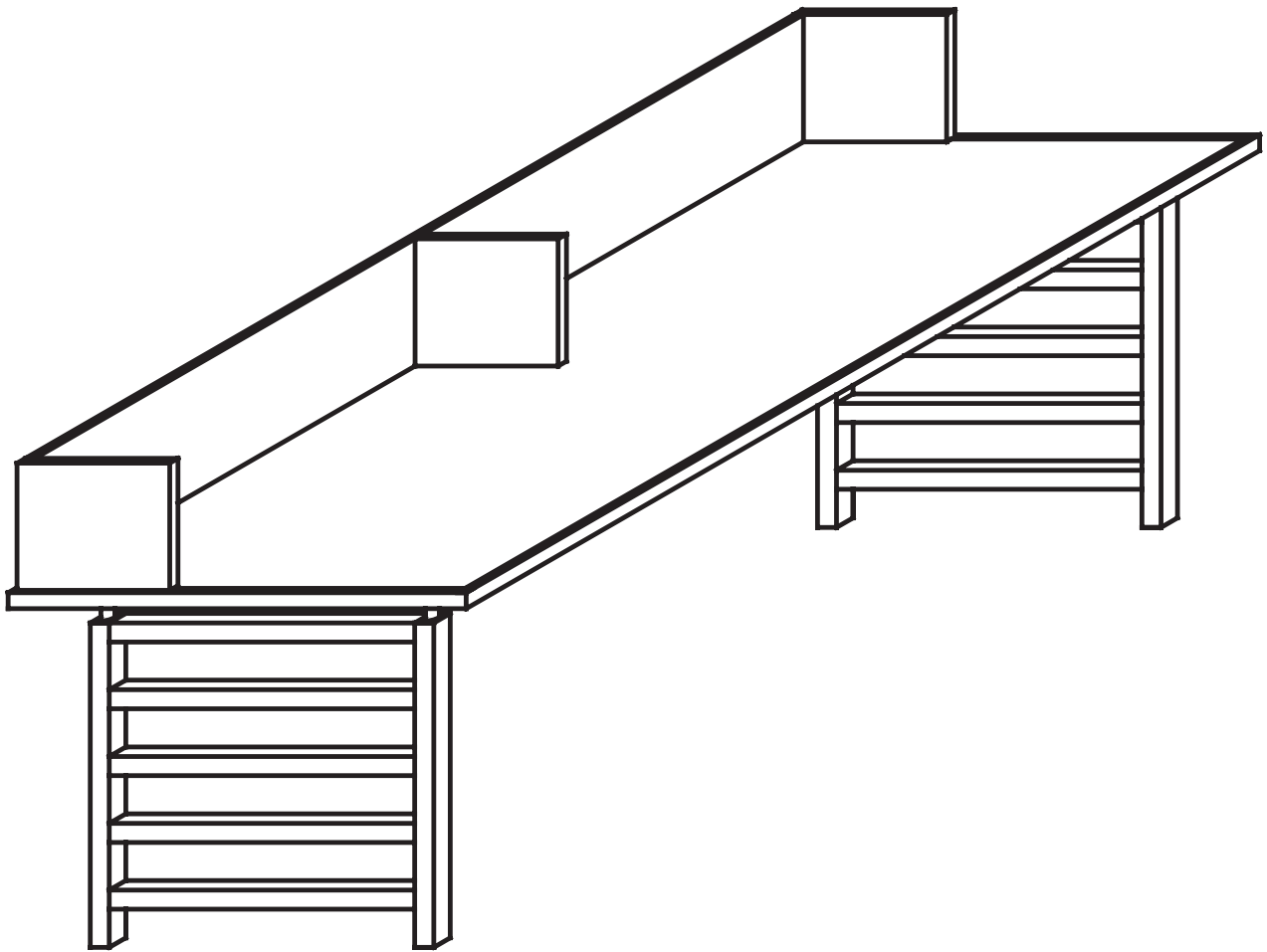
Options

OPTIONS ROMAN GRID INFORMATION TECHNOLOGY TABLE
72" WIDE X 30" OR 36" DEEP X 29", 32" OR 39" HIGH WITH 10"
MONITOR DIVIDER PANELS ABOVE



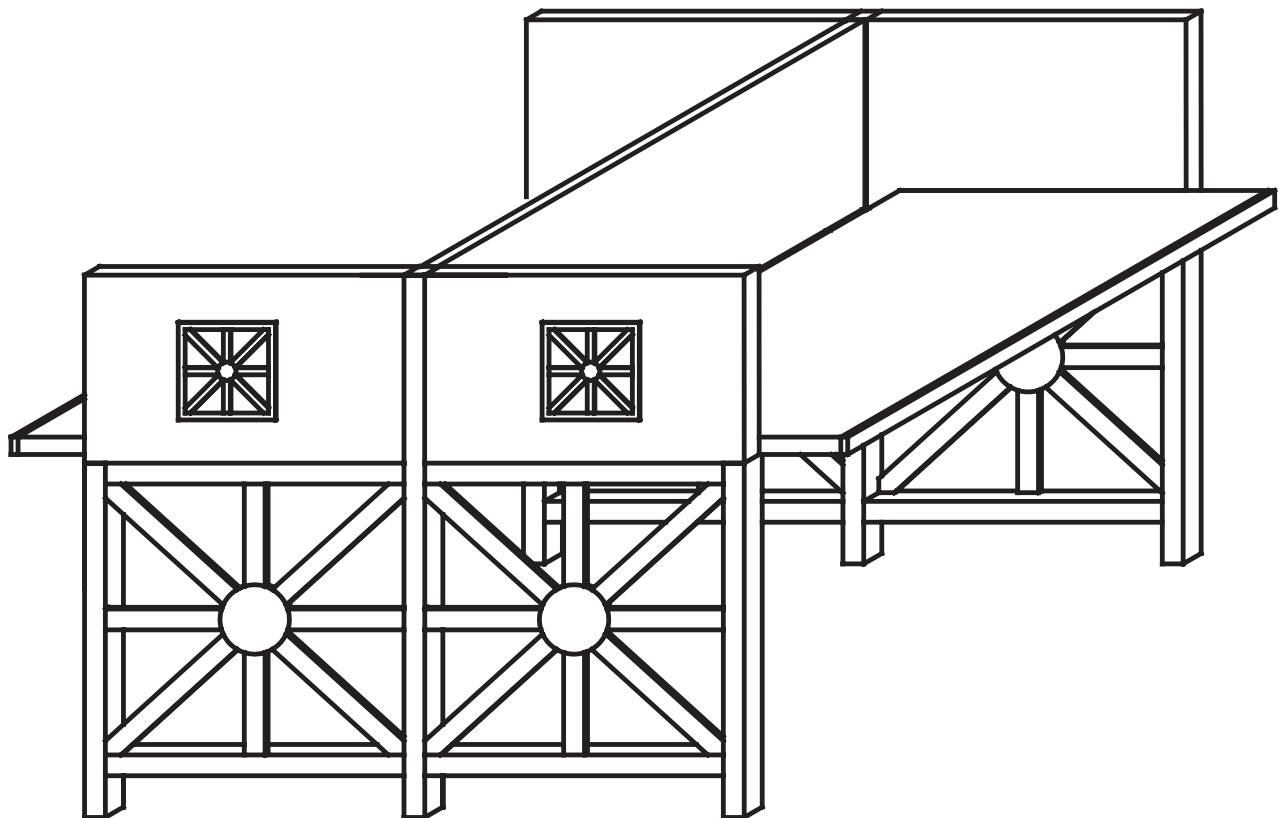
Options

OPTIONS HORIZONTAL INFORMATION TECHNOLOGY TABLE
72" WIDE X 30" OR 36" DEEP X 29", 32" OR 39" HIGH WITH 10"
MONITOR DIVIDER PANELS ABOVE



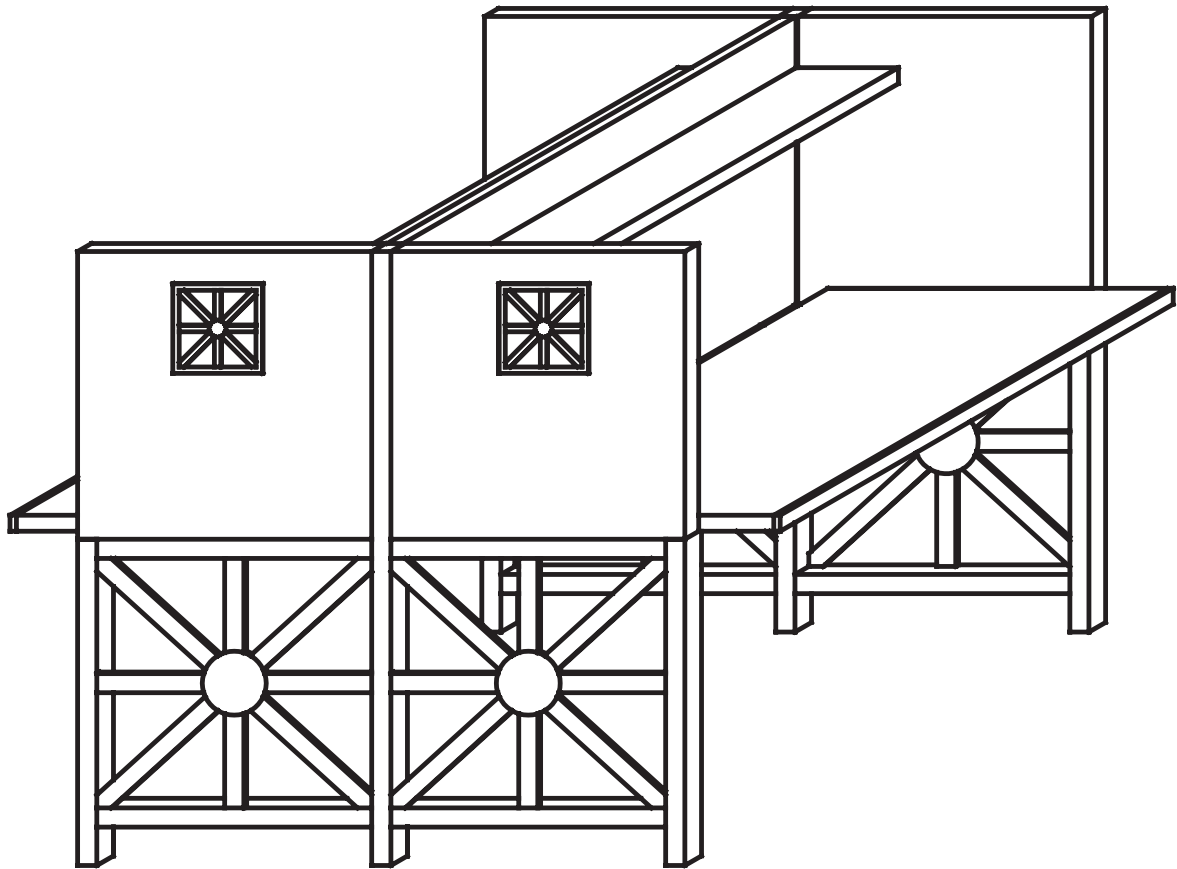
Options

OPTIONS ROMAN GRID DOUBLE FACED INFORMATION TECHNOLOGY STATIONS 38", 50" OR 74" WIDE X 61" DEEP X 39" HIGH WITH METAL GRILLS, WOOD PANELS, WORK SURFACES WITH 3/4" THICK X 1 1/4" HIGH SOLID WOOD EDGE BANDED HPL INLAY, 1 1/2" TUBULAR END FRAMES WITH METAL SUPERSTRUCTURE SUPPORTS



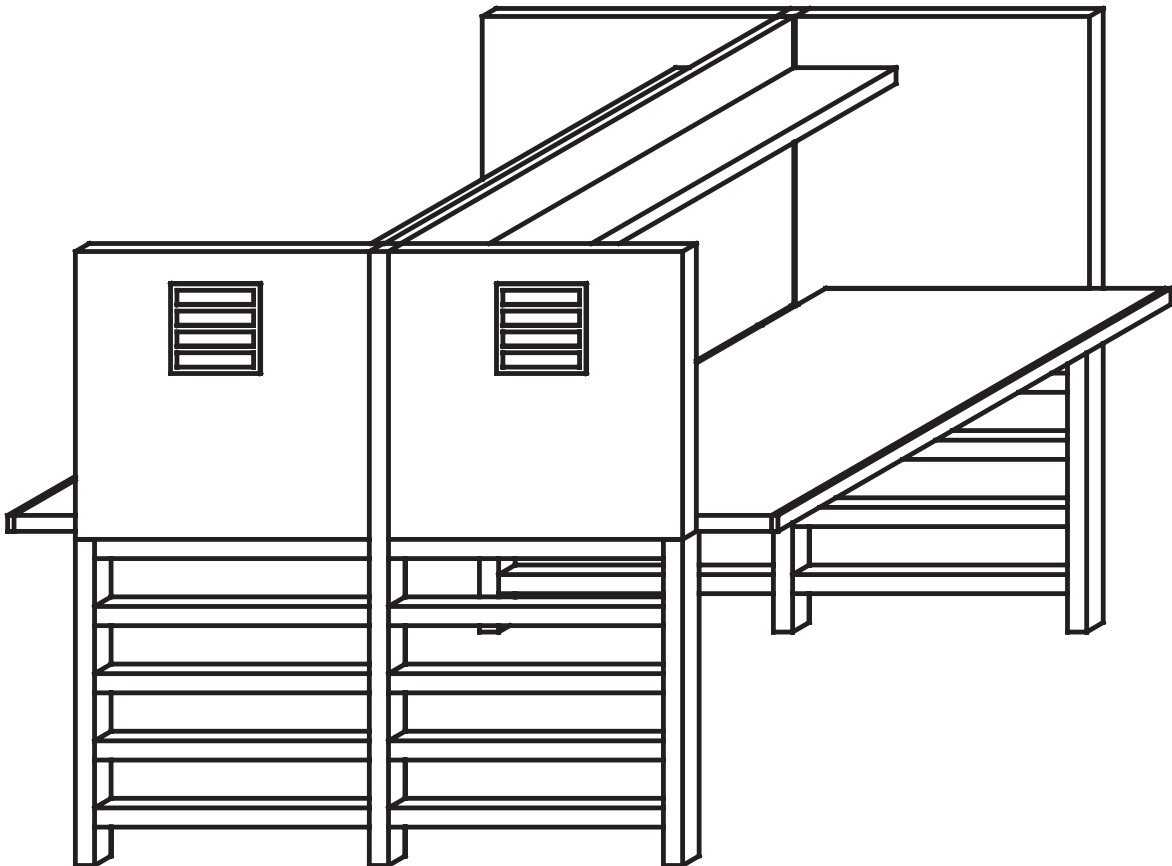
Options

OPTIONS ROMAN GRID DOUBLE FACED CARREL 38", 50" OR 74" WIDE X 61" DEEP X 48" HIGH WITH METAL GRILLS, WOOD PANELS, WORK SURFACES WITH 3/4" THICK X 1 1/4" HIGH SOLID WOOD EDGE BANDED HPL INLAY, 1 1/2" TUBULAR END FRAMES WITH METAL SUPERSTRUCTURE SUPPORTS



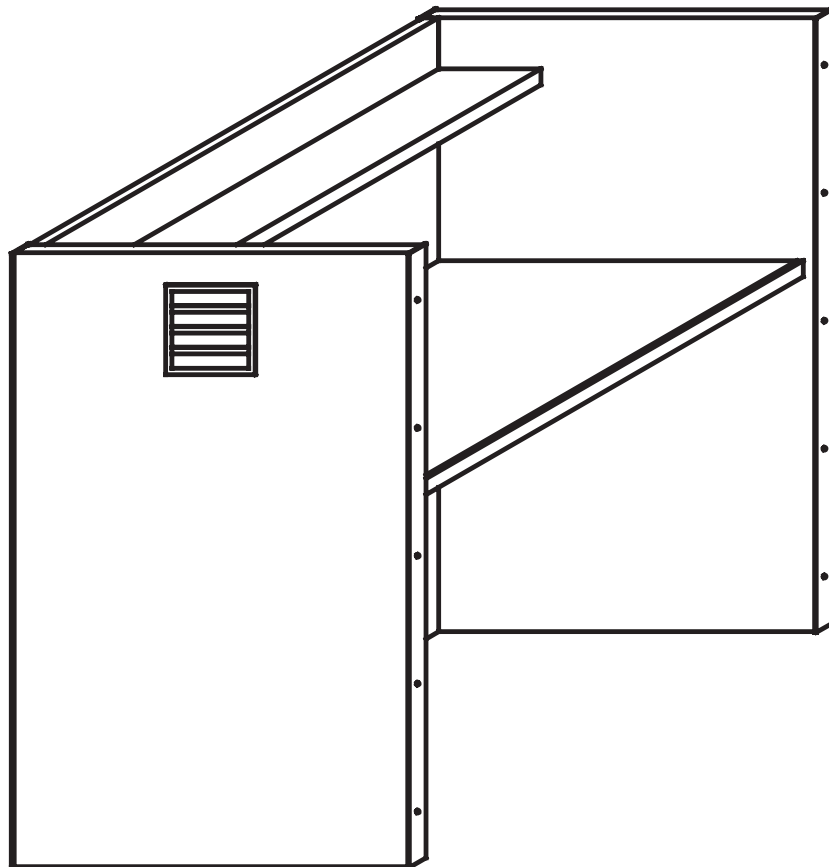
Options

OPTIONS HORIZONTAL DOUBLE FACED CARREL 38", 50" OR 74" WIDE X 61" DEEP X 48" HIGH WITH METAL GRILLS, WOOD PANELS, WORK SURFACES WITH 3/4" THICK X 1 1/4" HIGH SOLID WOOD EDGE BANDED HPL INLAY, 1 1/2" TUBULAR END FRAMES WITH METAL SUPERSTRUCTURE SUPPORTS



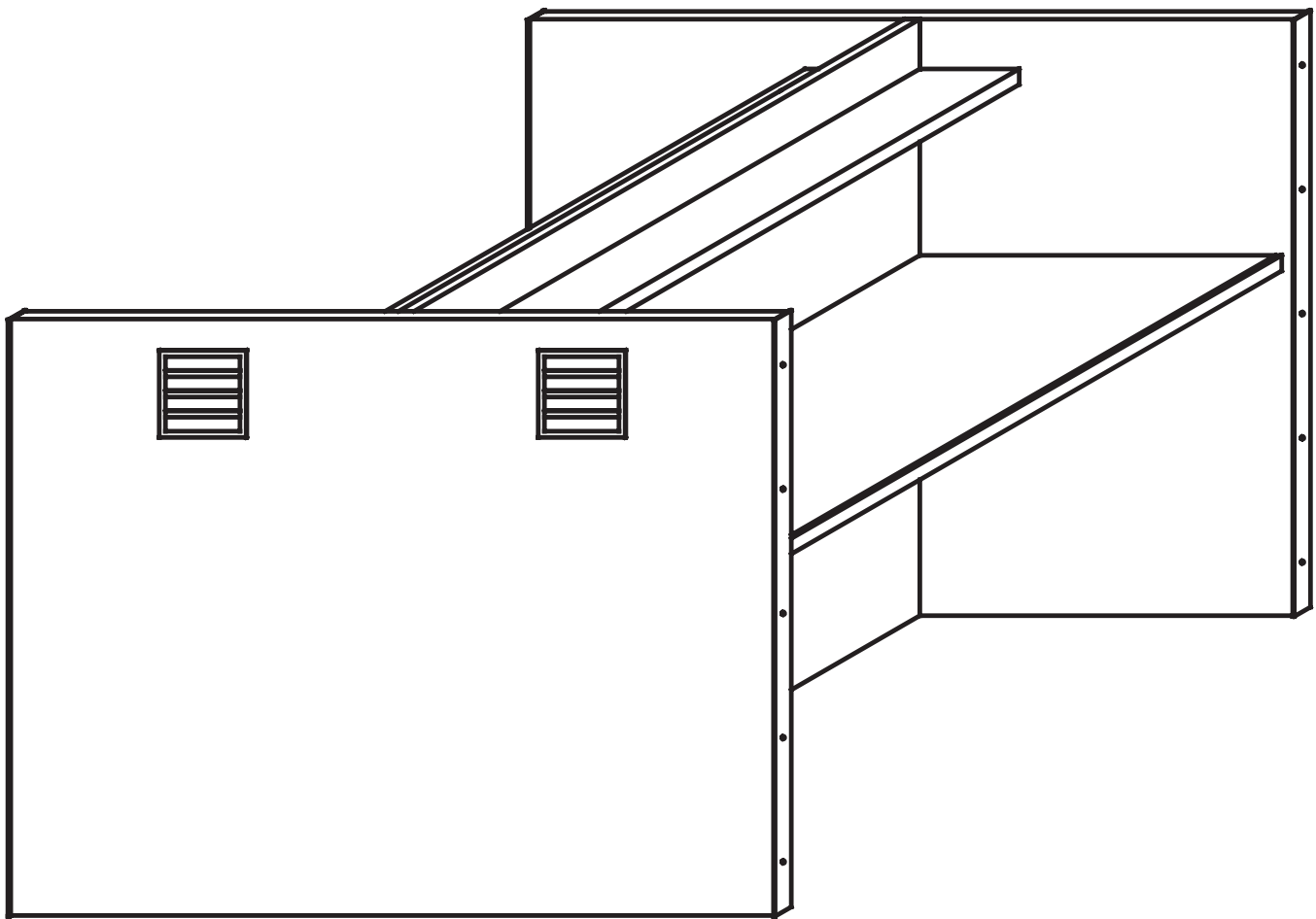
Options

OPTIONS II: SINGLE FACED CARREL 38", 50" OR 74" WIDE X 32" DEEP X 48" HIGH, 1 1/4" THICK WOOD PANELS WITH 1/4" THICK EDGE BANDING, WORK SURFACES WITH 3/4" THICK X 1 1/4" HIGH SOLID WOOD EDGE BANDED HPL INLAY, OPTIONS METAL GRILLS



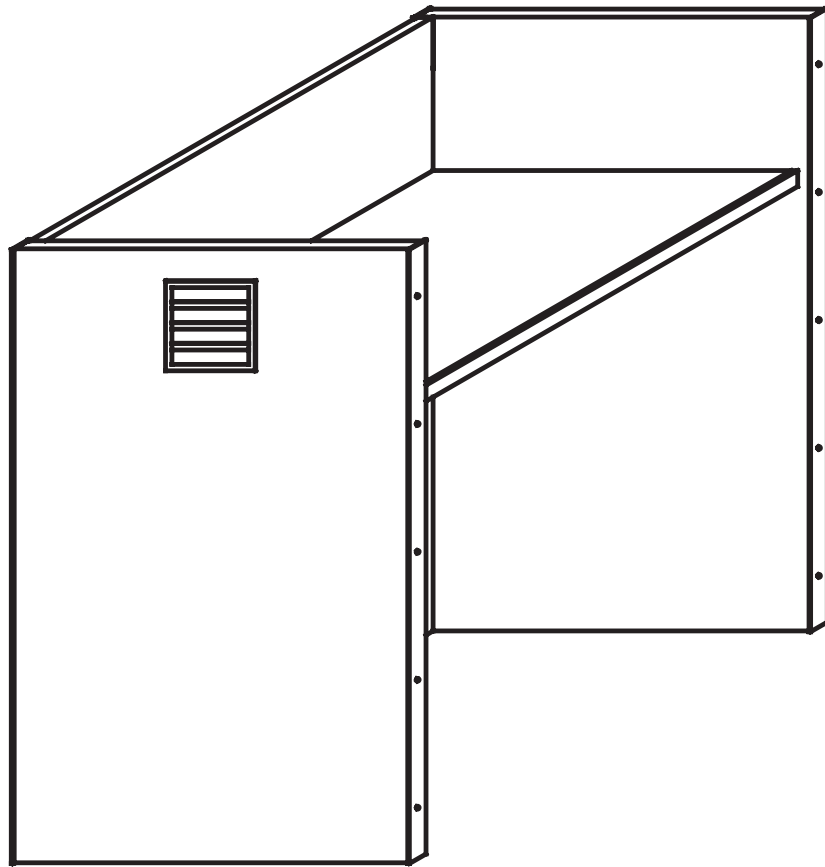
Options

OPTIONS II: DOUBLE FACED CARREL 38", 50" OR 74" WIDE X 63" DEEP X 48" HIGH, 1 1/4" THICK WOOD PANELS WITH 1/4" THICK EDGE BANDING, WORK SURFACES WITH 3/4" THICK X 1 1/4" HIGH SOLID WOOD EDGE BANDED HPL INLAY, OPTIONS METAL GRILLS



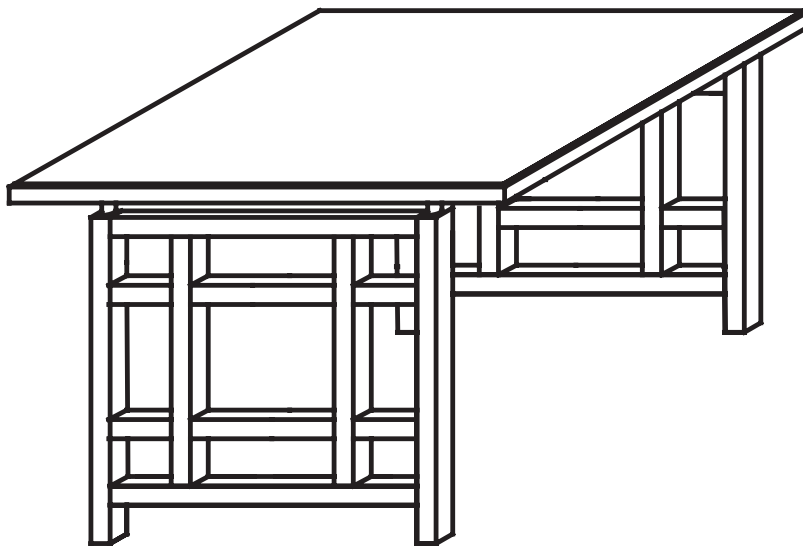
Options

OPTIONS II: SINGLE FACED PAC STATION 24", 30", 38", 50" OR 74" WIDE X 32" DEEP X 39" OR 48" HIGH, 1 1/4" THICK WOOD PANELS WITH 1/4" THICK EDGE BANDING, WORK SURFACES WITH 3/4" THICK X 1 1/4" HIGH SOLID WOOD EDGE BANDED HPL INLAY, OPTIONS METAL GRILLS



Options

OPTIONS HATCH OCCASIONAL TABLE 28" SQUARE X 21" HIGH
WITH 1 1/4" THICK HPL TOP WITH 3/4" THICK WOOD EDGE BAND
AND 1 1/2" TUBULAR END FRAMES WITH METAL SUPERSTRUCTURE
SUPPORTS

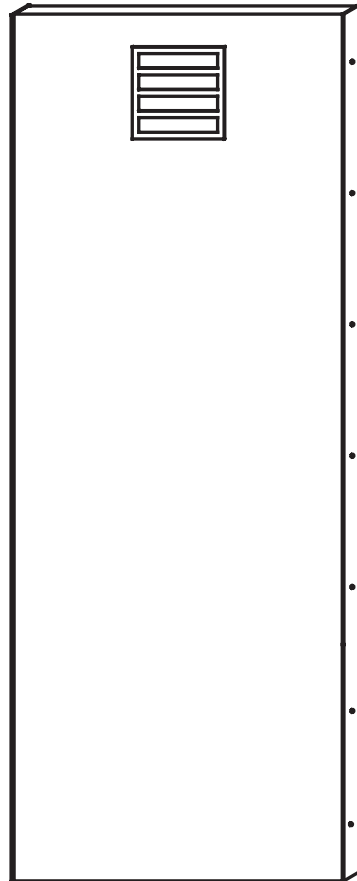
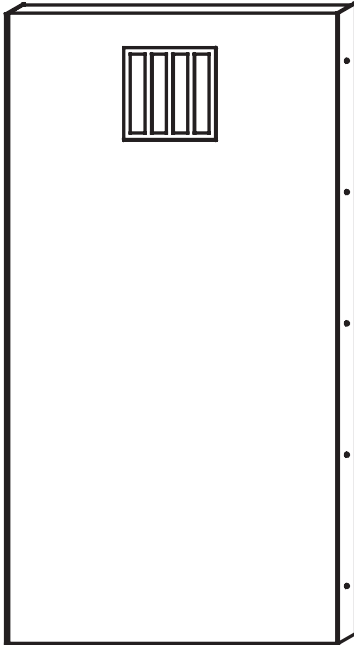


Options

OPTIONS VERTICAL OR HORIZONTALS END PANELS 1" THICK WITH WOOD VENEERS & 1/4" SOLID EDGE BANDING, 1 1/4" WIDE METAL END CAPS AND DECORATIVE METAL GRILLS

HORIZONTAL END PANELS

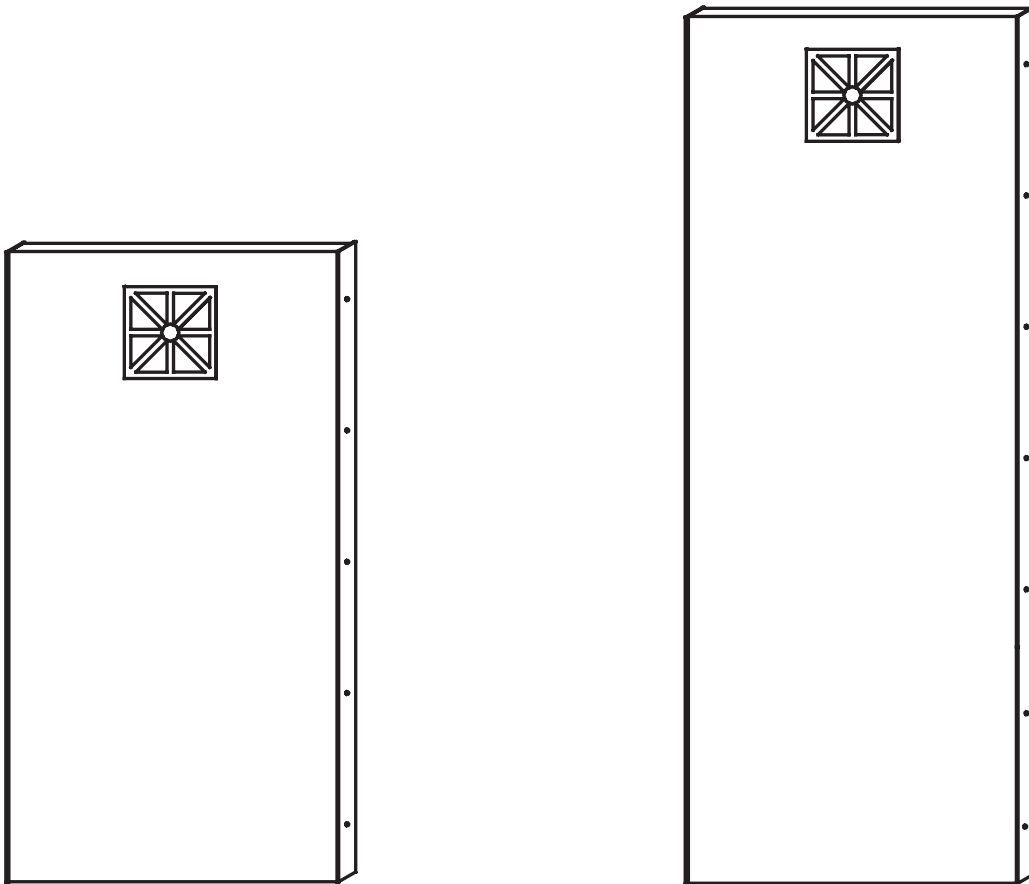
VERTICAL END PANELS



Options

OPTIONS ROMAN GRID END PANELS 1" THICK WITH WOOD VENEERS & 1/4" SOLID EDGE BANDING, 1 1/4" WIDE METAL END CAPS AND DECORATIVE METAL GRILLS

ROMAN GRID END PANELS



Options

OPTIONS ROMAN GRID BENCH 60" WIDE X 18" DEEP
X 18" HIGH WITH UPHOLSTERED SEAT AND 1 1/2" TUBULAR END
FRAMES WITH METAL SUPERSTRUCTURE
SUPPORTS

