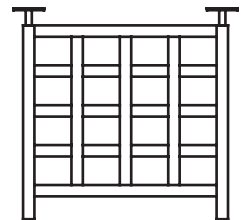
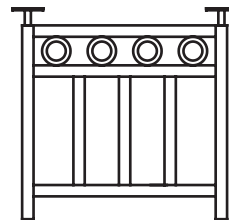
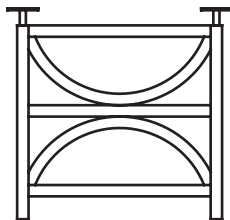
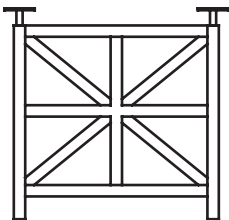
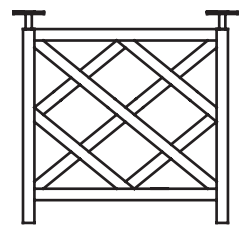
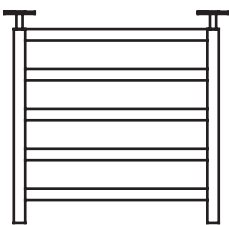
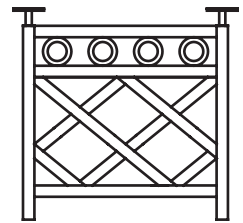
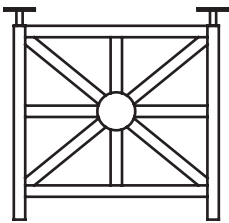




Revolution Products

OPTIONS TECHNICAL LIBRARY FURNITURE 2019 PRICE LIST



Revolution Products
259 Whip O Will Drive
Clinton, SC 29325
864-201-1357

Options

Welcome to Options from Revolution Products, where a plethora of design details will create the perfect furniture for your signature library.

Index

I.	Terms and Conditions	
II.	Options Specification steps	Pgs. 3-7
	a. Edge band choices	Pg. 3
III.	Options Series Model Numbers	Pgs. 9-26
	a. Tables	Pgs. 9-10
	b. IT Tables	Pgs. 11-12
	c. IT adjustable height work stations	Pgs. 13-15
	d. Carrels	Pgs. 16-17
	e. IT stations and electrical	Pgs. 18-19
IV.	Options II Full Panel Carrels	Pgs. 17-18
V.	Options End Panels	Pgs. 19-26
V.	Options A-Frame Tables	Pgs. 27-28
VI.	Product Examples	Pgs. 29-41

Options

Terms of Sale: All prices are FOB East Syracuse, NY. Net 30 days from date of shipment. All prices are list and subject to change without notice. Interest of 2% per month will be assessed on past due invoices. Possession of price list does not constitute authority to purchase or sell products herein.

Taxes: All applicable taxes are extra. If a client is tax exempt please provide tax certificate.

Ordering: Orders must have all pertinent information provided before they will be processed and entered including model numbers, quantities and finish, laminate and fabric selections where appropriate. Please provide a requested by date, or not to ship before date on your order.

Warranty: All items are warranted for 5 years unless otherwise stated. Warranty is for initial purchaser and only valid as long as the product is owned by original customer. The warranty, which begins at date of manufacture, covers defects in materials and workmanship found during the normal usage of product during the warranty period. Revolution Products will at it's option repair or replace the defective product with a comparable component or product. Warranty does not cover any "Customers Own Material" used in manufacture. Except as stated above, Revolution Products makes no express or implied warranties as to any product and in particular makes no warranty of fitness for any particular use. At Revolution Products option, product repair, or replacement is the customer's exclusive remedy for any and all product defects.

BIFMA and ANSI Testing: All products offered by Revolution Products meet or exceed applicable BIFMA and ANSI testing standards.

New Accounts: New accounts can only be established with the approval of a Revolution Products representative. New accounts will be subject to special credit reference requirements and deposit terms before they are approved.

Options

Step #1: To begin the specification process select the edge band detail from the choices shown below. The number code for your choice must be placed in the blank of the model number as shown in the following example.

Example: O-(base code)3648-O-(EDGE BAND)-(grill code)



(1) Standard Edge
1-1/2" H x 3/4" T



(2) Accent Bevel
Edge 1-1/2" H x
3/4" T



(3) Radiused Edge
1-1/2" H x 3/4" T



(4) Bullnose Edge
1-1/2" H x 3/4" T



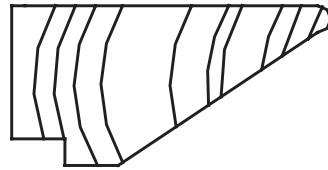
(5) Semi-bullnose
Edge 1-1/2" H x
3/4" T



(6) Traditional Edge
1-1/2" H x 3/4" T



(7) Beveled Edge
1-1/2" H x 1" T
Note: 5% Up charge

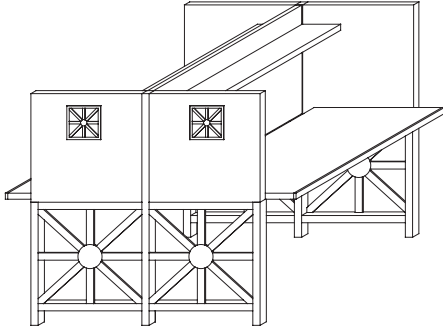


(8) Knife Edge
1-1/2" H x 3" T
Note: 10% Up charge

Options

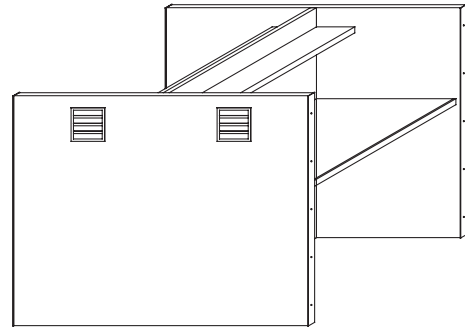
Step #2: Choose the (A) steel Options base design or the (B) wood Options II full panel design. Examples are shown below.

Options

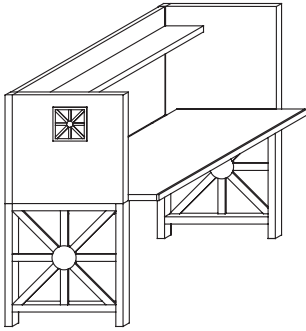


(A) Example of Options D/F carrel

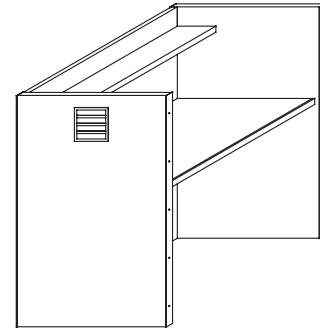
Options II



(B) Example of Options II D/F carrel



(A) Example of Options S/F carrel



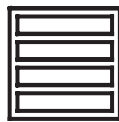
(B) Example of Options II S/F carrel

Step #3: Select a decorative metal grill from the following standards and enter the appropriate letter code in the model number blank as shown in the example:

Example: O-(base code)3648-O-(edge band)-(GRILL CODE)



Verticals Grill (GV)



Horizontals Grill (GH)



Roman Grid Grill (GR)

No Grill Option (GN)

Model numbers for (A) Options steel base furniture are shown on pages 4 - 15

Model numbers for (B) Options II panel style furniture are shown on pages 16-17

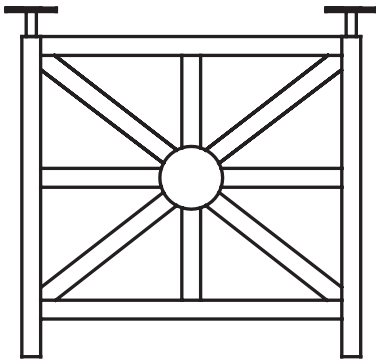
Model numbers for end panels are shown on pages 18-22

Options

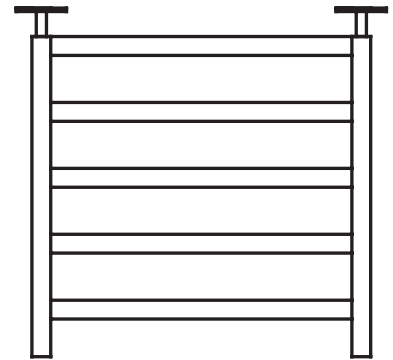
Step #4: For the Options series, select one of the following base designs. Please place the appropriate letter code for the base of your choice in the blank of the model number. For Options II please proceed to page 16 for model numbers.

Example: O-(Letter Code)3648-O
Example: O-(**BASE CODE**)3648-O-(edge band)-(grill code)

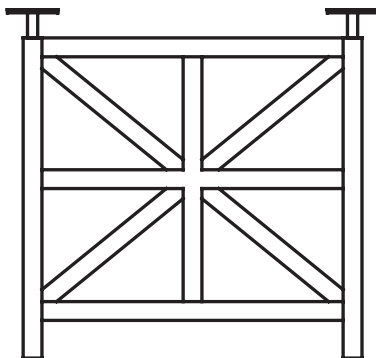
ROMAN GRID (RG)



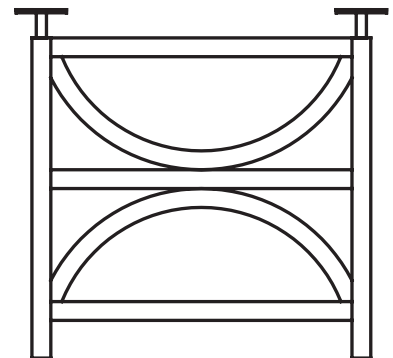
HORIZONTAL (HO)



CROSSINGS (CR)



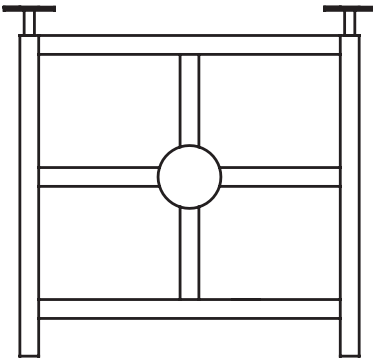
ARC (AR)



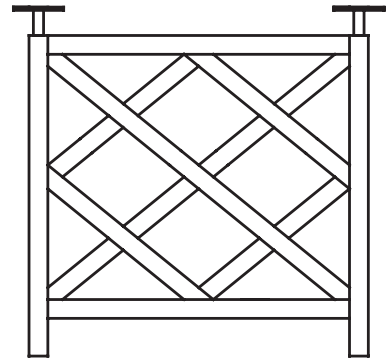
Choices continued on next page

Options

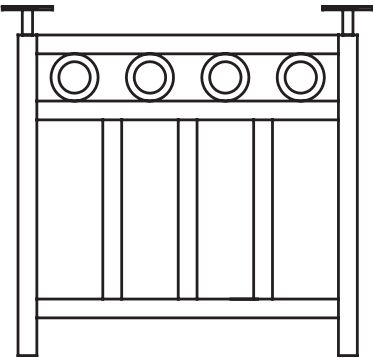
QUADRANT (QU)



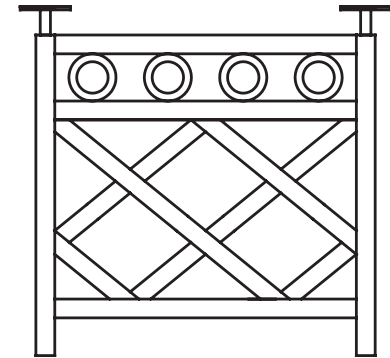
TRELLIS (TR)



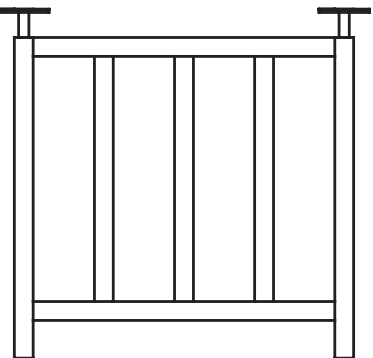
VISION (VI)



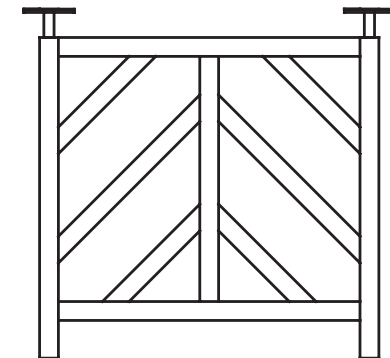
DEGREE (DE)



VERTICAL (VE)



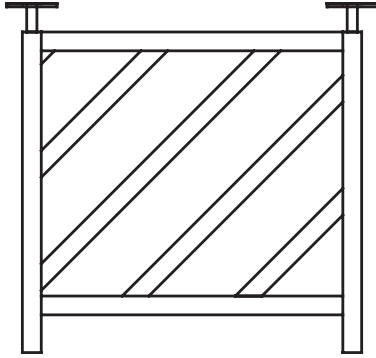
CHEVRON (CH)



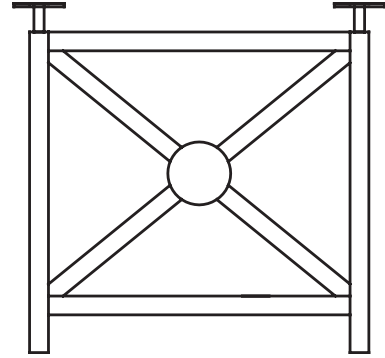
Choices continued on next page

Options

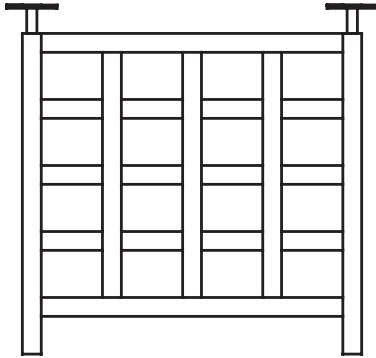
ASCENT (AS)



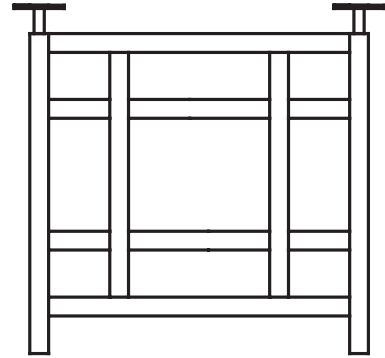
INTERSECTION (IN)



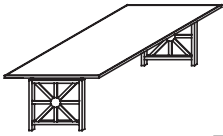
SQUARES (SQ)



HATCH (HA)



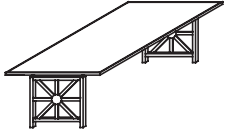
Options



READING TABLES WITH METAL FRAME BASES

MODEL NUMBER	DESCRIPTION	LIST PRICE
O- _3648-O- _- _	Table 36" deep x 48" wide x 29" high with 3/4" thick x 1 1/2" high oak edge banded HPL inlay top, 1 1/2" 12 gauge tubular steel end frames with double keel superstructure support	3326.00
O- _3060-O- _- _	Table 30" deep x 60" wide x 29" high with 3/4" thick x 1 1/2" high oak edge banded HPL inlay top, 1 1/2" 12 gauge tubular steel end frames with double keel superstructure support	3550.00
O- _3660-O- _- _	Table 36" deep x 60" wide x 29" high with 3/4" thick x 1 1/2" high oak edge banded HPL inlay top, 1 1/2" 12 gauge tubular steel end frames with double keel superstructure support	3745.00
O- _3672-O- _- _	Table 36" deep x 72" wide x 29" high with 3/4" thick x 1 1/2" high oak edge banded HPL inlay top, 1 1/2" 12 gauge tubular steel end frames with double keel superstructure support	4024.00
O- _3696-O- _- _	Table 36" deep x 96" wide x 29" high with 3/4" thick x 1 1/2" high oak edge banded HPL inlay top, 1 1/2" 12 gauge tubular steel end frames with double keel superstructure support	4417.00
O- _4272-O- _- _	Table 42" deep x 72" wide x 29" high with 3/4" thick x 1 1/2" high oak edge banded HPL inlay top, 1 1/2" 12 gauge tubular steel end frames with double keel superstructure support	4064.00
O- _4284-O- _- _	Table 42" deep x 84" wide x 29" high with 3/4" thick x 1 1/2" high oak edge banded HPL inlay top, 1 1/2" 12 gauge tubular steel end frames with double keel superstructure support	4952.00
O- _4296-O- _- _	Table 42" deep x 96" wide x 29" high with 3/4" thick x 1 1/2" high oak edge banded HPL inlay top, 1 1/2" 12 gauge tubular steel end frames with double keel superstructure support	4454.00
O- _4872-O- _- _	Table 48' deep x 72" wide x 29" high with 3/4" thick x 1 1/2" high oak edge banded HPL inlay top, 1 1/2" 12 gauge tubular steel end frames with double keel superstructure support	4072.00

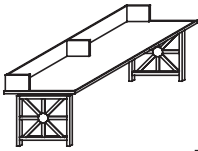
Options



READING TABLES WITH METAL FRAME BASES (continued)

MODEL NUMBER	DESCRIPTION	LIST PRICE
O-__4884-O-__	Table 48" deep x 84" wide x 29" high with 3/4" thick x 1 1/2" high oak edge banded HPL inlay top, 1 1/2" 12 gauge tubular steel end frames with double keel superstructure support	4338.00
O-__4896-O-__	Table 48" deep x 96" wide x 29" high with 3/4" thick x 1 1/2" high oak edge banded HPL inlay top, 1 1/2" 12 gauge tubular steel end frames with double keel superstructure support	4512.00
O-__3636-O-__	Table 36" square x 29" high with 3/4" thick x 1 1/2" high oak edge banded HPL inlay top, 1 1/2" 12 gauge tubular steel frame	3203.00
O-__4242-O-__	Table 42" square x 29" high with 3/4" thick x 1 1/2" high oak edge banded HPL inlay top, 1 1/2" 12 gauge tubular steel frame	3294.00
O-__4848-O-__	Table 48" square x 29" high with 3/4" thick x 1 1/2" high oak edge banded HPL inlay top, 1 1/2" 12 gauge tubular steel frame	3628.00
O-__6060-O-__	Table 60" square x 29" high with 3/4" thick x 1 1/2" high oak edge banded HPL inlay top, 1 1/2" 12 gauge tubular steel frame	4223.00
O-__36R-O-__	Table 36" round x 29" high with 3/4" thick x 1 1/2" high oak edge banded HPL inlay top, 1 1/2" 12 gauge tubular steel frame	3568.00
O-__42R-O-__	Table 42" round x 29" high with 3/4" thick x 1 1/2" high oak edge banded HPL inlay top, 1 1/2" 12 gauge tubular steel frame	3313.00
O-__48R-O-__	Table 48" round x 29" high with 3/4" thick x 1 1/2" high oak edge banded HPL inlay top, 1 1/2" 12 gauge tubular steel frame	3656.00
O-__60R-O-__	Table 60" round x 29" high with 3/4" thick x 1 1/2" high oak edge banded HPL inlay top, 1 1/2" 12 gauge tubular steel frame	4246.00
WOOD	Wood inlay veneered inset panel in base frames - add suffix WOOD	728.00
Suffix -M	For maple edge banding change suffix O to M and add 7 percent	
Suffix -C	For cherry edge banding change suffix O to C and add 20 percent	

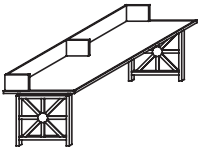
Options



INFORMATION TECHNOLOGY TABLES WITH METAL FRAME BASES & MONITOR RACKS

MODEL NUMBER	DESCRIPTION	LIST PRICE
O-_3036-O-IT-_-_-	IT table 30" deep x 36" wide with 3/4" thick x 1 1/2" high oak edge banded HPL inlay top with 8" high monitor rack across the back extending forward 10" at each end (Select from 29", 32" or 36" top heights)	4020.00
O-_3048-O-IT-_-_-	IT table 30" deep x 48" wide with 3/4" thick x 1 1/2" high oak edge banded HPL inlay top with 8" high monitor rack across the back extending forward 10" at each end (Select from 29", 32" or 36" top heights)	4234.00
O-_3060-O-IT-_-_-	IT table 30" deep x 60" wide with 3/4" thick x 1 1/2" high oak edge banded HPL inlay top with 8" high monitor rack across the back extending forward 10" at each end (Select from 29", 32" or 36" top heights)	4866.00
O-_3072-O-IT2-_-_-	IT table 30" deep x 72" wide with 3/4" thick x 1 1/2" high oak edge banded HPL inlay top with 8" high monitor rack across the back extending forward 10" at the ends and the center point, making 2 separate study areas (Select from 29", 32", or 36" high top height)	5229.00
O-_3096-O-IT2-_-_-	IT table 30" deep x 96" wide with 3/4" thick x 1 1/2" high oak edge banded HPL inlay top with 8" high monitor rack across the back extending forward 10" at the ends and the center point, making 2 separate study areas (Select from 29", 32", or 36" high top height)	5879.00
O-_3096-O-IT3-_-_-	IT table 30" deep x 96" wide with 3/4" thick x 1 1/2" high oak edge banded HPL inlay top with 8" high monitor rack across the back extending forward 10" at the ends and 2 equal points, making 3 separate study areas (Select from 29", 32", or 36" high top height)	5963.00
O-_3036-O-IT-_-_-	IT table 30" deep x 36" wide with 3/4" thick x 1 1/2" high oak edge banded HPL inlay top with 8" high monitor rack across the back extending forward 10" at each end (Select from 29", 32" or 36" top heights)	4338.00
O-_3048-O-IT-_-_-	IT table 30" deep x 48" wide with 3/4" thick x 1 1/2" high oak edge banded HPL inlay top with 8" high monitor rack across the back extending forward 10" at each end (Select from 29", 32" or 36" top heights)	4383.00

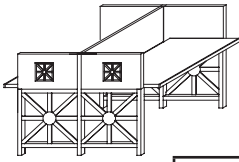
Options



INFORMATION TECHNOLOGY TABLES WITH METAL FRAME BASES & MONITOR RACKS (continued)

MODEL NUMBER	DESCRIPTION	LIST PRICE
O-_3060-O-IT-_-_-	IT table 30" deep x 60" wide with 3/4" thick x 1 1/2" high oak edge banded HPL inlay top with 8" high monitor rack across the back extending forward 10" at each end (Select from 29", 32" or 36" top heights)	5055.00
O-_3072-O-IT2-_-_-	IT table 30" deep x 72" wide with 3/4" thick x 1 1/2" high oak edge banded HPL inlay top with 8" high monitor rack across the back extending forward 10" at the ends and the center point, making 2 separate study areas (Select from 29", 32", or 36" high top height)	5456.00
O-_3096-O-IT2-_-_-	IT table 30" deep x 96" wide with 3/4" thick x 1 1/2" high oak edge banded HPL inlay top with 8" high monitor rack across the back extending forward 10" at the ends and the center point, making 2 separate study areas (Select from 29", 32", or 36" high top height)	6161.00
WOOD	Wood inlay veneered inset panel in base frames - add suffix WOOD	759.00
SUFFIX -M	For maple edge banding and monitor rack change suffix O to M and add 7 percent	
SUFFIX -C	For cherry edge banding and monitor rack change suffix O to C and add 20 percent	

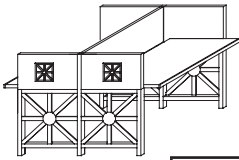
Options



INFORMATION TECHNOLOGY WORK STATIONS, ADJUSTABLE HEIGHT WORK SURFACE & METAL GRILLS

MODEL NUMBER	DESCRIPTION	LIST PRICE
O-_3136-O-ITS-_-_-	IT work station starter 31" deep x 36" wide x 39" high with 12 gauge tubular steel metal frame base, oak side and back panels with 1/4" solid oak edge banding, 1 1/4" thick adjustable height work surface with 3/4" thick edge banding and 2" cord drop/pencil stop banded with 1/2" thick solid oak, decorative metal grills	4409.00
O-_3136-O-ITS-A-_-_-	IT work station adder 31" deep x 36" wide x 39" high with 12 gauge tubular steel metal frame base, oak side and back panels with 1/4" solid oak edge banding, 1 1/4" thick adjustable height work surface with 3/4" thick edge banding and 2" cord drop/pencil stop banded with 1/2" thick solid oak	3316.00
O-_3148-O-ITS-_-_-	IT work station starter 31" deep x 48" wide x 39" high with 12 gauge tubular steel metal frame base, oak side and back panels with 1/4" solid oak edge banding, 1 1/4" thick adjustable height work surface with 3/4" thick edge and 2" cord drop/pencil stop banded with 1/2" thick solid oak, decorative metal grills	4785.00
O-_3148-O-ITS-A-_-_-	IT work station adder 31" deep x 48" wide x 39" high with 12 gauge tubular steel metal frame base, oak side and back panels with 1/4" solid oak edge banding, 1 1/4" thick adjustable height work surface with 3/4" thick edge banding and 2" cord drop/pencil stop banded with 1/2" thick solid oak,	3694.00
O-_3172-O-ITS-_-_-	IT work station starter 31" deep x 72" wide x 39" high with 12 gauge tubular steel metal frame base, oak side and back panels with 1/4" solid oak edge banding, 1 1/4" thick adjustable height work surface with 3/4" thick edge banding and 2" cord drop/ pencil stop banded with 1/2" thick solid oak, decorative metal grills	5351.00
O-_3172-O-ITS-A-_-_-	IT work station adder 31" deep x 72" wide x 39" high with 12 gauge tubular steel metal frame base, oak side and back panels with 1/4" solid oak edge banding, 1 1/4" thick adjustable height work surface with 3/4" thick edge banding and 2" cord drop/pencil stop banded with 1/2" thick solid oak, decorative metal grills	4259.00

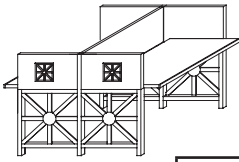
Options



INFORMATION TECHNOLOGY WORK STATIONS, ADJUSTABLE HEIGHT WORK SURFACE & METAL GRILLS (continued)

MODEL NUMBER	DESCRIPTION	LIST PRICE
O-__3136-O-DF-ITS-__	IT double faced work station starter 61" deep x 38" wide x 39" high with 12	7481.00
	gauge tubular steel metal frame base, oak side and back panels with 1/4"	
	solid oak edge banding, 2 each 1 1/4" thick adjustable height work surfaces	
	3/4" thick edge banding and 2" cord drop/pencil stop banded with 1/2" thick	
	solid oak, decorative metal grills	
O-__3136-O-DF-ITS-A-__	IT double faced work station adder 61" deep x 36" wide x 39" high with 12	6219.00
	gauge tubular steel metal frame base, oak side and back panels with 1/4"	
	solid oak edge banding, 2 each 1 1/4" thick adjustable height work surfaces	
	3/4" thick edge banding and 2" cord drop/pencil stop banded with 1/2" thick	
	solid oak	
O-__3148-O-DF-ITS-__	IT double faced work station starter 61" deep x 50" wide x 39" high with 12	8235.00
	gauge tubular steel metal frame base, oak side and back panels with 1/4"	
	solid oak edge banding, 2 each 1 1/4" thick adjustable height work surfaces	
	3/4" thick edge banding and 2" cord drop/pencil stop banded with 1/2" thick	
	solid oak, decorative metal grills	
O-__3148-O-DF-ITS-A-__	IT double faced work station adder 61" deep x 48" wide x 39" high with 12	6971.00
	gauge tubular steel metal frame base, oak side and back panels with 1/4"	
	solid oak edge banding, 2 each 1 1/4" thick adjustable height work surfaces	
	3/4" thick edge banding and 2" cord drop/pencil stop banded with 1/2" thick	
	solid oak	
O-__3172-O-DF-ITS-__	IT double faced work station starter 61" deep x 74" wide x 39" high with 12	9115.00
	gauge tubular steel metal frame base, oak side and back panels with 1/4"	
	solid oak edge banding, 2 each 1 1/4" thick adjustable height work surfaces	
	3/4" thick edge banding and 2" cord drop/pencil stop banded with 1/2" thick	
	solid oak, decorative metal grills	

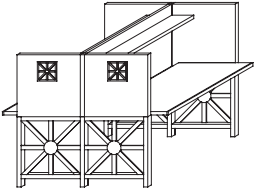
Options



INFORMATION TECHNOLOGY WORK STATIONS, ADJUSTABLE HEIGHT WORK SURFACE & METAL GRILLS (continued)

MODEL NUMBER	DESCRIPTION	LIST PRICE
O-__3172-O-DF-ITS-A-__	IT double faced work station adder 61" deep x 72" wide x 39" high with 12	8101.00
	gauge tubular steel metal frame base, oak side and back panels with 1/4"	
	solid oak edge banding, 2 each 1 1/4" thick adjustable height work surfaces	
	3/4" thick edge banding and 2" cord drop/pencil stop banded with 1/2" thick	
	solid oak	
SUFFIX-M	For above products in maple change suffix O to M and add 7 percent.	
SUFFIX-C	For above products in cherry change suffix O to C and add 20 percent.	

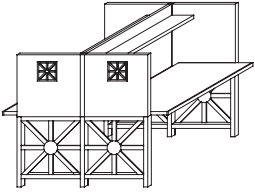
Options



STUDY CARRELS WITH METAL BASES, ADJUSTABLE HEIGHT WORK SURFACE & METAL GRILLS

MODEL NUMBER	DESCRIPTION	LIST PRICE
O- _3136-O- _- _	Carrel work station starter 31" deep x 38" wide x 48" high with 12 gauge tubular steel metal frame base, oak side and back panels with 1/4" solid oak edge banding, 1 1/4" thick adjustable height work surface with 3/4" thick edge banding and 2" cord drop/pencil stop banded with 1/2" thick solid oak, decorative metal grills	5215.00
O- _3136-O-A- _- _	Carrel work station adder 31" deep x 36 1/2" wide x 48" high with 12 gauge tubular steel metal frame base, oak side and back panels with 1/4" solid oak edge banding, 1 1/4" thick adjustable height work surface with 3/4" thick edge banding and 2" cord drop/pencil stop banded with 1/2" thick solid oak, decorative metal grills	3669.00
O- _3150-O- _- _	Carrel work station starter 31" deep x 50" wide x 48" high with 12 gauge tubular steel metal frame base, oak side and back panels with 1/4" solid oak edge banding, 1 1/4" thick adjustable height work surface with 3/4" thick edge banding and 2" cord drop/pencil stop banded with 1/2" thick solid oak, decorative metal grills	5764.00
O- _3148-O-A- _- _	Carrel work station adder 31" deep x 48 1/2" wide x 48" high with 12 gauge tubular steel metal frame base, oak side and back panels with 1/4" solid oak edge banding, 1 1/4" thick adjustable height work surface with 3/4" thick edge banding and 2" cord drop/pencil stop banded with 1/2" thick solid oak, decorative metal grills	4238.00
O- _3136-O-DF- _- _	Carrel work station, double faced, starter 61" deep x 38" wide x 48" high, 12 gauge tubular steel metal frame base, oak side and back panels with 1/4" solid oak edge banding, 2 each 1 1/4" thick adjustable height work surface with 3/4" thick edge banding and 2" cord drop/pencil stop banded with 1/2" thick solid oak, decorative metal grills	9098.00
O- _3136-O-DF-A- _- _	Carrel work station, double faced, adder 61" deep x 36 1/2" wide x 48", 12 gauge tubular steel metal frame base, oak side and back panels with 1/4" solid oak edge banding, 2 each 1 1/4" thick adjustable height work surface with 3/4" thick edge banding and 2" cord drop/pencil stop banded with 1/2" thick solid oak	6079.00

Options



STUDY CARRELS WITH METAL BASES, ADJUSTABLE HEIGHT WORK SURFACE & METAL GRILLS (continued)

MODEL NUMBER	DESCRIPTION	LIST PRICE
O-_3148-O-DF--_ _	Carrel work station, double faced, starter 61" deep x 50" wide x 48" high	10156.00
	12 gauge tubular steel metal frame base, oak side and back panels with 1/4"	
	solid oak edge banding, 2 each 1 1/4" thick adjustable height work surface	
	with 3/4" thick edge banding and 2" cord drop/pencil stop banded with 1/2"	
	thick solid oak	
O-_3148-O-DF-A-_-	Carrel work station, double faced, adder 61" deep x 48 1/2" wide x 48" high	6985.00
	12 gauge tubular steel metal frame base, oak side and back panels with 1/4"	
	solid oak edge banding, 2 each 1 1/4" thick adjustable height work surface	
	with 3/4" thick edge banding and 2" cord drop/pencil stop banded with 1/2"	
	thick solid oak	
SUFFIX-M	For maple display products change suffix O to M and add 7 percent	
SUFFIX-C	For cherry display products change suffix O to C and add 20 percent	

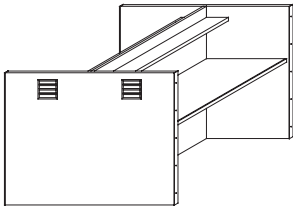
Options

Model Number	Description	List Price
O-IT-3036	Options IT Station 30" Deep x 36" Wide x (height) with base frame assembly, 9" High modesty panel and 1-1/4" Thick HPL top with 3MM pvc edge	904.00
O-IT-3042	Options IT Station 30" Deep x 42" Wide x (height) with base frame assembly, 9" High modesty panel and 1-1/4" Thick HPL top with 3MM pvc edge	960.00
O-IT-3048	Options IT Station 30" Deep x 48" Wide x (height) with base frame assembly, 9" High modesty panel and 1-1/4" Thick HPL top with 3MM pvc edge	994.00
O-IT-3054	Options IT Station 30" Deep x 54" Wide x (height) with base frame assembly, 9" High modesty panel and 1-1/4" Thick HPL top with 3MM pvc edge	1029.00
O-IT-3060	Options IT Station 30" Deep x 60" Wide x (height) with base frame assembly, 9" High modesty panel and 1-1/4" Thick HPL top with 3MM pvc edge	1095.00
O-IT-3072	Options IT Station 30" Deep x 72" Wide x (height) with base frame assembly, 9" High modesty panel and 1-1/4" Thick HPL top with 3MM pvc edge	1187.00
O-IT-3084	Options IT Station 30" Deep x 84" Wide x (height) with base frame assembly, 9" High modesty panel and 1-1/4" Thick HPL top with 3MM pvc edge	1385.00
O-IT-3096	Options IT Station 30" Deep x 96" Wide x (height) with base frame assembly, 9" High modesty panel and 1-1/4" Thick HPL top with 3MM pvc edge	1477.00
O-IT-303048C	Options IT Corner Station 30" Deep x 48" Wide x (height) with base frame assembly, back corner leg, 9" High modesty panel and 1-1/4" Thick HPL top with 3MM pvc edge	1323.00
O-IT-1-Filler	Options IT Vertical steel filler panel - wire manager black	87.00
O-IT-GRM-2	Grommet 2" Diameter	35.00
O-IT-PERF	Perforated Modesty panel with 1/4" perforations, up charge per foot	55.00
O-IT-MOD	Modify width or height, use next largest size and add	138.00
O-IT-FULLMP	Modify to Full Height modesty panel	160.00
O-IT-EH	Electrical Pass Through hole in leg	35.00
O-IT-ADA	Modify to ADA height (Does not include a modesty panel)	350.00
O-IT-ADAMOD	Modify to add modesty panel to ADA station	325.00
O-IT-ADAADJ	Modify to adjustable height table, 6" adjustment (Does not include modesty panel)	688.00
O-IT-CAST	Set of 4 plastic locking casters	140.00
O-IT-PE1	Single circuit power entry	330.00
O-IT-PE-1-1Q	Single circuit power entry with intelligent power linking system	440.00
O-IT-PE4	4 Circuit power entry	445.00
O-IT-DUPX	Duplex receptacle power block	82.00
O-IT-DCM	Duplex connection module	22.00
O-IT-JUMP-12/36	Electrical jumper with shielded cable 12" to 36" long	181.00
O-IT-JUMP-12/36	Electrical jumper with shielded cable 42" to 72" long	218.00
O-IT-WM48-PVC	Wire manager up to 48" long x 4" deep PVC	222.00
O-IT-WM48-PVC	Wire Manager up to 72" Long x 4" deep PVC	264.00
O-IT-WM48-MTL	Wire manager up to 48" long x 2 3/4" x 2 3/4" high, couples with modesty panel, metal	138.00

Options

Model Number	Description	List Price
O-IT-WM72-MTL	Wire manager up to 72" long x 2 3/4" x 2 3/4" high, couples with modesty panel, metal	174.00
O-IT-ELD48	Wire manager, jumper, duplex outlet, 4" PVC wire manager up to 48" with hanger brackets	441.00
O-IT-ELD72	Wire manager, jumper, duplex outlet, 4" PVC wire manager up to 72" with hanger brackets	507.00
O-IT-ELDD48	Wire manager, jumper, 2 duplex outlets, 4" PVC wire manager up to 48" with hanger brackets	578.00
O-IT-ELDD72	Wire manager, jumper, 2 duplex outlets, 4" PVC wire manager up to 72" with hanger brackets	653.00
O-IT-2P-2BD-N	Tip-up power module, black plastic, 2 outlets, 2 blank data ports, 72" cord	414.00
O-IT-2P-1USB-1BD-N	Tip-up power module, black plastic, 2 outlets, 1 dual USB, 1 blank data port, 72" cord	551.00
O-IT-2P-2BD-MI	Tip-up power module, black plastic, 2 outlets, 2 blank data ports, 72" cord	349.00
O-IT-3P-1BD-MI	Tip-up power module, black plastic, 3 outlets, 1 blank data port, 72" cord	415.00
O-IT-4P-MI	Tip-up power module, black plastic, 4 outlets, 72" cord	481.00
O-IT-2P-2BD-MO	Tip-up power module, clear aluminum, 2 outlets, 2 blank data ports, 72" cord	463.00
O-IT-2P-1USB-1BD-MO	Tip-up power module, clear aluminum, 2 outlets, 1 dual USB, 1 blank data port, 72" cord	617.00
O-IT-2P-2BD-SL-MI	Tip-up power module, clear aluminum, 2 outlets, 2 blank data ports, and Smart Link system	397.00
O-IT-2P-1USB-1BD-SL-MI	Tip-up power module, clear aluminum, 2 outlets, 1 dual USB, 1 blank data port, and Smart Link system	563.00
O-IT-6P-2USB-SIDE-MO	Side by side tip-up power module, clear aluminum, 6 outlets, 2 dual USB, 72" cord	1544.00
O-IT-2P-1USB-1DR-SUR	Flat mount power module, 2 outlets, 1 dual USB, 1 blank port, intelligent power system, white	468.00
O-IT-1P-SIMPLEX	Simplex outlet replacing blank data port	66.00
O-IT-1USB	Dual USB charging module replacing 1 blank data port *not available on MI units	166.00
O-IT-CPURCK	Adjustable CPU holder	330.00
O-IT-BFPED	Hanging Box/File Pedestal	1274.00
O-IT-ARYBD	Articulating keyboard tray	932.00
O-IT-POKYBD	Pull out keyboard tray	458.00
O-IT-MonitorLift	Pneumatic Monitor Lift Unit (1 Unit required per Monitor) Requires full height modesty panel upcharge	925.00
O-IT-MM	Under counter multimedia unit, 4 outlets, 1 audio port, 1 dual USB, 2 blank data ports, under counter mount	1323.00
O-IT-MM-4P-1AU-1USB-2BD-UC	Under counter multimedia unit, 2 outlets, 1RJ45 Cat6 data jack, 1 VGA DB15HD Female, 1 audio 3.5 mm stereo, 1 HDMI 2 user drop share kit, 1 HDMI coupler, under counter mount	4282.00
O-IT-LED-24	LED light 24" with dimmer	457.00
O-IT-LED-36	LED light 36" with dimmer	515.00
O-IT-DRIV	LED light driver	75.00

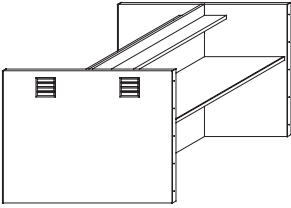
Options II



OPTIONS II STUDY CARRELS WITH METAL END CAPS AND DECORATIVE GRILLS

MODEL NUMBER	DESCRIPTION	LIST PRICE
OII-3136-O-_-_-	Study carrel starter 31 5/8" deep x 38" wide x 48" high with metal end caps and metal grills, oak side and back panels with 1/4" thick edge banding, 1 1/4" thick HPL work surface with 3/4" thick oak edge banding and 2" cord drop/pencil stop banded with 1/2" solid oak	4256.00
OII-3136-O-A-_-_-	Study carrel adder 31 5/8" deep x 36 1/2" wide x 48" high with metal end caps, oak side and back panels with 1/4" thick edge banding , 1 1/4" thick HPL work surface with 3/4" thick oak edge banding and 2" cord drop/pencil stop banded with 1/2" solid oak	2943.00
OII-3148-O-_-_-	Study carrel starter 31 5/8" deep x 50" wide x 48" high with metal end caps and metal grills, oak side and back panels with 1/4" thick edge banding, 1 1/4" thick HPL work surface with 3/4" thick oak edge banding and 2" cord drop/pencil stop banded with 1/2" solid oak	4765.00
OII-3148-O-A-_-_-	Study carrel adder 31 5/8" deep x 48 1/2" wide x 48" high with metal end caps, oak side and back panels with 1/4" thick edge banding , 1 1/4" thick HPL work surface with 3/4" thick oak edge banding and 2" cord drop/pencil stop banded with 1/2" solid oak	3451.00
OII-6136-DF-O-_-_-	Study carrel, double faced, starter 61 1/2" deep x 38" wide x 48" high with metal end caps and metal grills, oak side and back panels with 1/4" thick edge banding, 2 each 1 1/4" thick HPL work surface with 3/4" thick oak edge banding and 2" cord drop/pencil stop banded with 1/2" thick solid oak	7340.00
OII-6136-O-DF-A-_-_-	Study carrel, double faced, adder 61 1/2" deep x 36 1/2" wide x 48" high with metal end caps, oak side and back panels with 1/4" thick edge banding, 2 each 1 1/4" thick HPL work surface with 3/4" thick oak edge banding and 2" cord drop/pencil stop banded with 1/2" thick solid oak	4423.00
OII-6148-O-DF-_-_-	Study carrel, double faced, starter 61 1/2" deep x 50" wide x 48" high with metal end caps and metal grills, oak side and back panels with 1/4" thick edge banding, 2 each 1 1/4" thick HPL work surface with 3/4" thick oak edge banding and 2" cord drop/pencil stop banded with 1/2" thick solid oak	8151.00

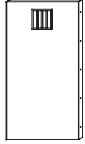
Options II



OPTIONS II STUDY CARRELS WITH METAL END CAPS AND DECORATIVE GRILLS (continued)

MODEL NUMBER	DESCRIPTION	LIST PRICE
OII-6148-O-DF-A-_-	Study carrel, double faced, adder 61 1/2" deep x 48 1/2" wide x 48" high with	5571.00
	metal end caps, oak side and back panels with 1/4" thick edge banding, 2 each 1	
	1/4" thick HPL work surface with 3/4" thick oak edge banding and 2" cord drop/ pencil stop banded with 1/2" thick solid oak	
SUFFIX-M	For maple study carrels change suffix O to M and add 7 percent	
SUFFIX-C	For cherry study carrels change suffix O to C and add 20 percent	

Options



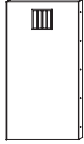
OPTIONS END PANELS IN OAK WITH 1/4" SOLID OAK EDGE BANDING, METAL END CAPS & METAL GRILL

MODEL NUMBER	DESCRIPTION	LIST PRICE
O-4412-DF-O_	End panel 44" high x 12" deep with metal grill & metal end caps on both long ends	716.00
O-4413-DF-O_	End panel 44" high x 13" deep with metal grill & metal end caps on both long ends	731.00
O-4414-DF-O_	End panel 44" high x 14" deep with metal grill & metal end caps on both long ends	754.00
O-4416-DF-O_	End panel 44" high x 16" deep with metal grill & metal end caps on both long ends	773.00
O-4418-DF-O_	End panel 44" high x 18" deep with metal grill & metal end caps on both long ends	978.00
O-4420-DF-O_	End panel 44" high x 20" deep with metal grill & metal end caps on both long ends	1003.00
O-4422-DF-O_	End panel 44" high x 22" deep with metal grill & metal end caps on both long ends	1035.00
O-4424-DF-O_	End panel 44" high x 24" deep with metal grill & metal end caps on both long ends	1063.00
O-4425-DF-O_	End panel 44" high x 25" deep with metal grill & metal end caps on both long ends	1009.00
O-4428-DF-O_	End panel 44" high x 28" deep with metal grill & metal end caps on both long ends	706.00
O-4432-DF-O_	End panel 44" high x 32" deep with metal grill & metal end caps on both long ends	1176.00
O-4812-DF-O_	End panel 48" high x 12" deep with metal grill & metal end caps on both long ends	755.00
O-4813-DF-O_	End panel 48" high x 13" deep with metal grill & metal end caps on both long ends	773.00
O-4814-DF-O_	End panel 48" high x 14" deep with metal grill & metal end caps on both long ends	809.00
O-4816-DF-O_	End panel 48" high x 16" deep with metal grill & metal end caps on both long ends	811.00
O-4818-DF-O_	End panel 48" high x 18" deep with metal grill & metal end caps on both long ends	1024.00
O-4820-DF-O_	End panel 48" high x 20" deep with metal grill & metal end caps on both long ends	1055.00
O-4822-DF-O_	End panel 48" high x 22" deep with metal grill & metal end caps on both long ends	1090.00
O-4824-DF-O_	End panel 48" high x 24" deep with metal grill & metal end caps on both long ends	1123.00

PLEASE NOTE: END PANELS WILL NOT HAVE SPECIAL EDGE DETAIL



Options



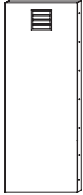
OPTIONS END PANELS IN OAK WITH 1/4" SOLID OAK EDGE BANDING, METAL END CAPS & METAL GRILL (continued)

MODEL NUMBER	DESCRIPTION	LIST PRICE
O-4825-DF-O_	End panel 48" high x 25" deep with metal grill & metal end caps on both long ends	1156.00
O-4828-DF-O_	End panel 48" high x 28" deep with metal grill & metal end caps on both long ends	1213.00
O-4832-DF-O_	End panel 48" high x 32" deep with metal grill & metal end caps on both long ends	1360.00
O-5012-DF-O_	End panel 50" high x 12" deep with metal grill & metal end caps on both long ends	790.00
O-5013-DF-O_	End panel 50" high x 13" deep with metal grill & metal end caps on both long ends	811.00
O-5014-DF-O_	End panel 50" high x 14" deep with metal grill & metal end caps on both long ends	850.00
O-5016-DF-O_	End panel 50" high x 16" deep with metal grill & metal end caps on both long ends	923.00
O-5018-DF-O_	End panel 50" high x 18" deep with metal grill & metal end caps on both long ends	1009.00
O-5020-DF-O_	End panel 50" high x 20" deep with metal grill & metal end caps on both long ends	1079.00
O-5022-DF-O_	End panel 50" high x 22" deep with metal grill & metal end caps on both long ends	1111.00
O-5024-DF-O_	End panel 50" high x 24" deep with metal grill & metal end caps on both long ends	1166.00
O-5025-DF-O_	End panel 50" high x 25" deep with metal grill & metal end caps on both long ends	1273.00
O-5028-DF-O_	End panel 50" high x 28" deep with metal grill & metal end caps on both long ends	1395.00
O-5032-DF-O_	End panel 50" high x 32" deep with metal grill & metal end caps on both long ends	1550.00
O-6612-DF-O_	End panel 66" high x 12" deep with metal grill & metal end caps on both long ends	813.00
O-6613-DF-O_	End panel 66" high x 13" deep with metal grill & metal end caps on both long ends	840.00
O-6614-DF-O_	End panel 66" high x 14" deep with metal grill & metal end caps on both long ends	889.00
O-6616-DF-O_	End panel 66" high x 16" deep with metal grill & metal end caps on both long ends	1095.00
O-6618-DF-O_	End panel 66" high x 18" deep with metal grill & metal end caps on both long ends	1136.00

PLEASE NOTE: END PANELS WILL NOT HAVE SPECIAL EDGE DETAIL



Options



OPTIONS END PANELS IN OAK WITH 1/4" SOLID OAK EDGE BANDING, METAL END CAPS & METAL GRILL (continued)

MODEL NUMBER	DESCRIPTION	LIST PRICE
O-6620-DF-O_	End panel 66" high x 20" deep with metal grill & metal end caps on both long ends	1179.00
O-6622-DF-O_	End panel 66" high x 22" deep with metal grill & metal end caps on both long ends	1255.00
O-6624-DF-O_	End panel 66" high x 24" deep with metal grill & metal end caps on both long ends	1271.00
O-6625-DF-O_	End panel 66" high x 25" deep with metal grill & metal end caps on both long ends	1305.00
O-6628-DF-O_	End panel 66" high x 28" deep with metal grill & metal end caps on both long ends	1471.00
O-6632-DF-O_	End panel 66" high x 32" deep with metal grill & metal end caps on both long ends	1506.00
O-7812-DF-O_	End panel 78" high x 12" deep with metal grill & metal end caps on both long ends	841.00
O-7813-DF-O_	End panel 78" high x 13" deep with metal grill & metal end caps on both long ends	880.00
O-7814-DF-O_	End panel 78" high x 14" deep with metal grill & metal end caps on both long ends	951.00
O-7816-DF-O_	End panel 78" high x 16" deep with metal grill & metal end caps on both long ends	1169.00
O-7818-DF-O_	End panel 78" high x 18" deep with metal grill & metal end caps on both long ends	1216.00
O-7820-DF-O_	End panel 78" high x 20" deep with metal grill & metal end caps on both long ends	1269.00
O-7822-DF-O_	End panel 78" high x 22" deep with metal grill & metal end caps on both long ends	1345.00
O-7824-DF-O_	End panel 78" high x 24" deep with metal grill & metal end caps on both long ends	1368.00
O-7825-DF-O_	End panel 78" high x 25" deep with metal grill & metal end caps on both long ends	1461.00
O-7828-DF-O_	End panel 78" high x 28" deep with metal grill & metal end caps on both long ends	1503.00
O-7832-DF-O_	End panel 78" high x 32" deep with metal grill & metal end caps on both long ends	1654.00
O-8412-DF-O_	End panel 84" high x 12" deep with metal grill & metal end caps on both long ends	895.00
O-8413-DF-O_	End panel 84" high x 13" deep with metal grill & metal end caps on both long ends	939.00

PLEASE NOTE: END PANELS WILL NOT HAVE SPECIAL EDGE DETAIL



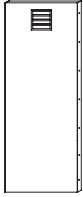
Options

OPTIONS END PANELS IN OAK WITH 1/4" SOLID OAK EDGE BANDING, METAL END CAPS & METAL GRILL (continued)

MODEL NUMBER	DESCRIPTION	LIST PRICE
O-8414-DF-O_	End panel 84" high x 14" deep with metal grill & metal end caps on both long ends	1080.00
O-8416-DF-O_	End panel 84" high x 16" deep with metal grill & metal end caps on both long ends	1206.00
O-8418-DF-O_	End panel 84" high x 18" deep with metal grill & metal end caps on both long ends	1258.00
O-8420-DF-O_	End panel 84" high x 20" deep with metal grill & metal end caps on both long ends	1310.00
O-8422-DF-O_	End panel 84" high x 22" deep with metal grill & metal end caps on both long ends	1385.00
O-8424-DF-O_	End panel 84" high x 24" deep with metal grill & metal end caps on both long ends	1435.00
O-8425-DF-O_	End panel 84" high x 25" deep with metal grill & metal end caps on both long ends	1533.00
O-8428-DF-O_	End panel 84" high x 28" deep with metal grill & metal end caps on both long ends	1613.00
O-8432-DF-O_	End panel 84" high x 32" deep with metal grill & metal end caps on both long ends	1795.00
O-9012-DF-O_	End panel 90" high x 12" deep with metal grill & metal end caps on both long ends	946.00
O-9013-DF-O_	End panel 90" high x 13" deep with metal grill & metal end caps on both long ends	996.00
O-9014-DF-O_	End panel 90" high x 14" deep with metal grill & metal end caps on both long ends	1079.00
O-9016-DF-O_	End panel 90" high x 16" deep with metal grill & metal end caps on both long ends	1248.00
O-9018-DF-O_	End panel 90" high x 18" deep with metal grill & metal end caps on both long ends	1299.00
O-9020-DF-O_	End panel 90" high x 20" deep with metal grill & metal end caps on both long ends	1355.00
O-9022-DF-O_	End panel 90" high x 22" deep with metal grill & metal end caps on both long ends	1495.00
O-9024-DF-O_	End panel 90" high x 24" deep with metal grill & metal end caps on both long ends	1519.00
O-9025-DF-O_	End panel 90" high x 25" deep with metal grill & metal end caps on both long ends	1569.00
O-9028-DF-O_	End panel 90" high x 28" deep with metal grill & metal end caps on both long ends	1781.00

PLEASE NOTE: END PANELS WILL NOT HAVE SPECIAL EDGE DETAIL

Options



OPTIONS END PANELS IN OAK WITH 1/4" SOLID OAK EDGE BANDING, METAL END CAPS & METAL GRILL (continued)

MODEL NUMBER	DESCRIPTION	LIST PRICE
O-9032-DF-O-__	End panel 90" high x 32" deep with metal grill & metal end caps on both long ends	1905.00
SUFFIX-M	For maple end panels change suffix O to M and add 7 percent	
SUFFIX-C	For cherry end panels change suffix O to C and 20 percent	

PLEASE NOTE: END PANELS WILL NOT HAVE SPECIAL EDGE DETAIL

Options

ANGLE SERIES RECTANGULAR TABLES WITH SQUARE TUBULAR FRAMES, HPL INLAY TOPS

MODEL NUMBER	DESCRIPTION	3MM PVC EDGE	3MM KNIFE EDGE	3MM WOOD EDGE	1 1/4" THICK WOOD EDGE
AS-2436	Angle Series Rectangular table 24" deep x 36" wide x 30" high with square tubular angled bases, HPL inlay tops, top depth may be 19" to 24" deep	1384.00	1473.00	1627.00	1830.00
AS-2448	Angle Series rectangular table 24" deep x 48" wide x 30" high with square tubular angled bases, HPL inlay tops, top depth may be 19" to 24" deep	1457.00	1577.00	1753.00	2056.00
AS-2460	Angle Series rectangular table 24" deep x 60" wide x 30" high with square tubular angled bases, HPL inlay tops, top depth may be 19" to 24" deep	1491.00	1625.00	1835.00	2167.00
AS-2472	Angle Series rectangular table 24" deep x 72" wide x 30" high with square tubular angled bases, HPL inlay tops, top depth may be 19" to 24" deep	1555.00	1713.00	1948.00	2406.00
AS-2484	Angle Series rectangular table 24" deep x 84" wide x 30" high with square tubular angled bases, HPL inlay tops, top depth may be 19" to 24" deep	1787.00	1995.00	2236.00	2694.00
AS-2496	Angle Series rectangular table 24" deep x 96" wide x 30" high with square tubular angled bases, HPL inlay tops, top depth may be 19" to 24" deep	1859.00	2097.00	2363.00	2865.00
AS-3036	Angle Series rectangular table 30" deep x 36" wide x 30" high with square tubular angled bases, HPL inlay tops, top depth may be 25" to 30" deep	1443.00	1555.00	1715.00	1985.00
AS-3048	Angle Series rectangular table 30" deep x 48" wide x 30" high with square tubular bases, HPL inlay tops, top depth may be 25" to 30" deep	1532.00	1681.00	1859.00	2184.00
AS-3060	Angle Series rectangular table 30" deep x 60" wide x 30" high with square tubular bases, HPL inlay tops, top depth may be 25" to 30" deep	1561.00	1695.00	1910.00	2237.00
AS-3072	Angle Series rectangular table 30" deep x 72" wide x 30" high square tubular angled bases, HPL inlay tops, top depth may be 25" to 30" deep	1133.00	1319.00	1557.00	2064.00
AS-3084	Angle Series rectangular table 30" deep x 84" wide x 30" high with square tubular bases, HPL inlay tops, top depth may be 25" to 30" deep	1915.00	2172.00	2401.00	2864.00
AS-3096	Angle Series rectangular table 30" deep x 96" wide x 30" high with square tubular bases, HPL inlay tops, top depth may be 25" to 30" deep	2006.00	2300.00	2545.00	3056.00

Options

ANGLE SERIES SQUARE & ROUND TABLES WITH SQUARE TUBULAR X ANGLED BASES, HPL INLAY TOPS

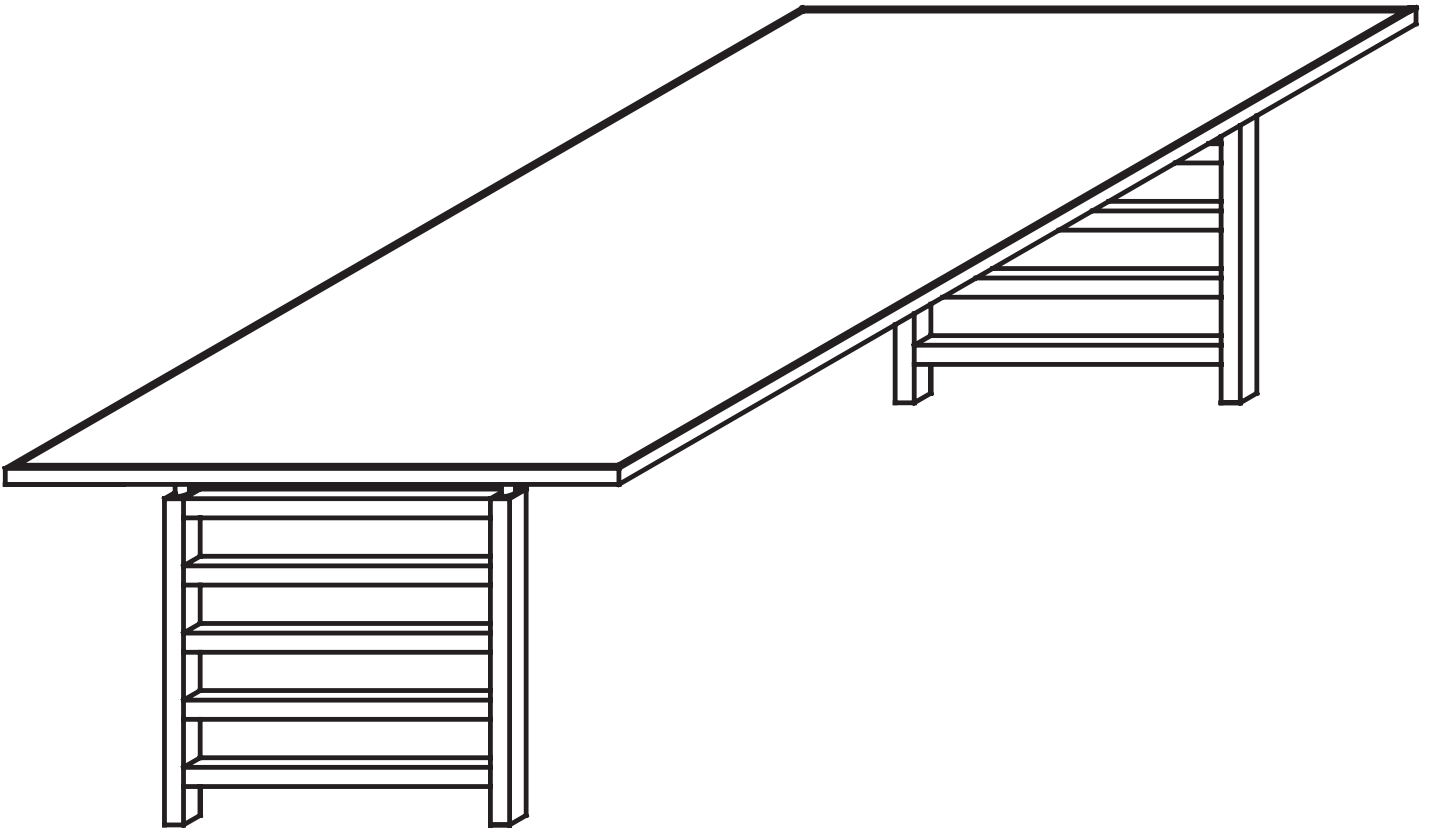
MODEL NUMBER	DESCRIPTION	3MM PVC EDGE	3MM KNIFE EDGE	3MM WOOD EDGE	1 1/4" THICK WOOD EDGE
AS-3636-SQ	Angle Series square table 36 square x 30" high with square tubular angled X base, HPL inlay top	1406.00	1540.00	1705.00	1999.00
AS-4242-SQ	Angle Series square table 42 square x 29" high with square tubular angled X base, HPL inlay top	1544.00	1724.00	1899.00	2236.00
AS-4848-SQ	Angle Series square table 48 square x 29" high with square tubular angled X base, HPL inlay top	1708.00	2144.00	2121.00	2494.00
AS-36-RO	Round table 36" diameter x 29" high with tubular X base, HPL inlay top	1502.00	1676.00	1755.00	2564.00
AS-42-RO	Round table 42" diameter x 29" high with tubular X base, HPL inlay top	1160.00	1397.00	1465.00	2418.00
TRO-48-XB	Round table 48" diameter x 29" high with tubular X base, HPL inlay top	1224.00	1479.00	1567.00	2820.00

ANGLE SERIES MODESTY PANELS & ACCESSORIES

MODEL NUMBER	DESCRIPTION	LIST PRICE
MODESTY-MTL-36	Modesty panel in metal 36" to 60" wide x 9 1/2" high	325.00
MODESTY-MTL-72	Modesty panel in metal 72" to 96" wide x 9 1/2" high	385.00
MODESTY-HPL-36	Modesty panel in HPL with PVC edge banding 36" to 60" wide x 11 1/2" high	350.00
MODESTY-HPL-72	Modesty panel in HPL with PVC edge banding 72" to 96" wide x 11 1/2" high	410.00
MODESTY-PERF	Perforated metal modesty panel	600.00
KEEL	Steel top support keel	130.00
GRM-2-BLK	Grommet 2" diameter in black with cover	35.00
PASS-HOLE	Electrical/Data pass thru hold in metal frame	45.00
MOD-HEIGHT	Modify height of table base	220.00
MOD-WIDTH	Modify width of table	150.00
IS-ELE-2P-1USB	In-surface spill proof duplex outlet and dual USB charging unit silver/black	581.00
SPECIAL-LAM	For special color laminate add 10 percent	
SPECIAL-PVC	For Non Standard PVC edge banding add 4 percent	

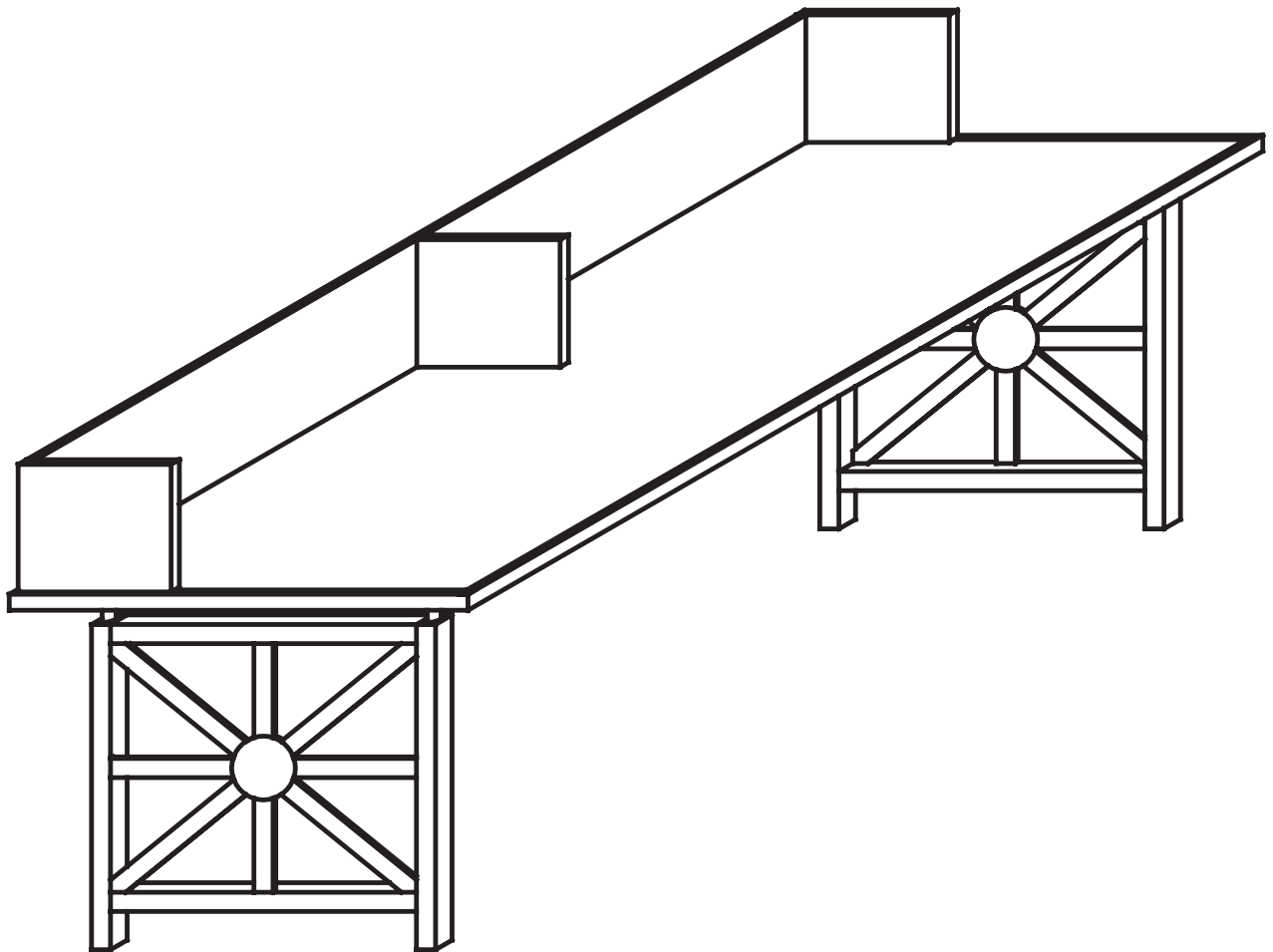
Options

OPTIONS HORIZONTAL READING TABLE 72" WIDE X 48" DEEP X 29" HIGH, 3/4" THICK X 1 1/2" DEEP SOLID WOOD EDGE BANDING WITH HPL INLAY TOP, 1 1/2" TUBULAR END FRAMES WITH METAL SUPERSTRUCTURE SUPPORT



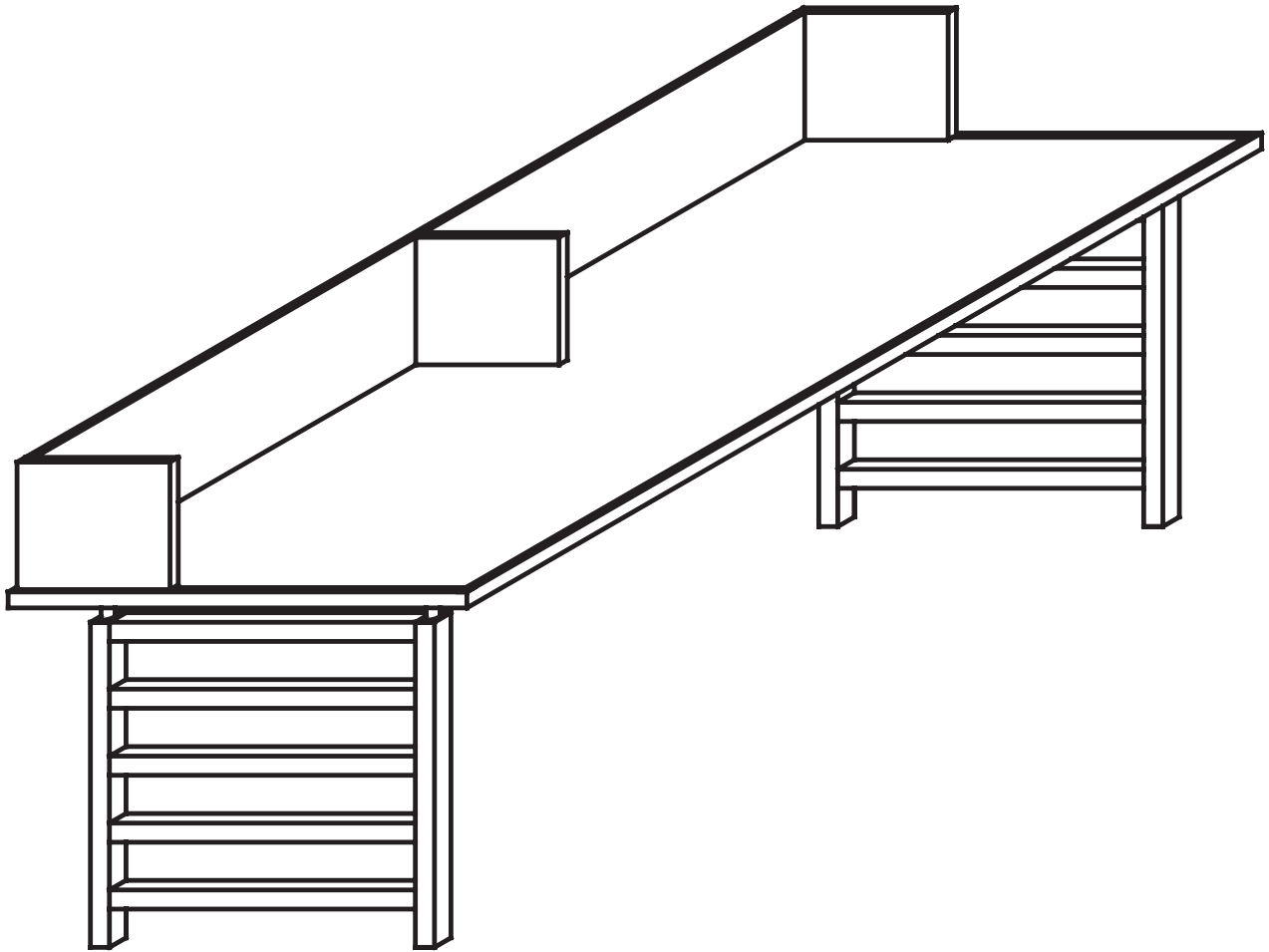
Options

OPTIONS ROMAN GRID INFORMATION TECHNOLOGY TABLE
72" WIDE X 30" OR 36" DEEP X 29", 32" OR 39" HIGH WITH 10"
MONITOR DIVIDER PANELS ABOVE



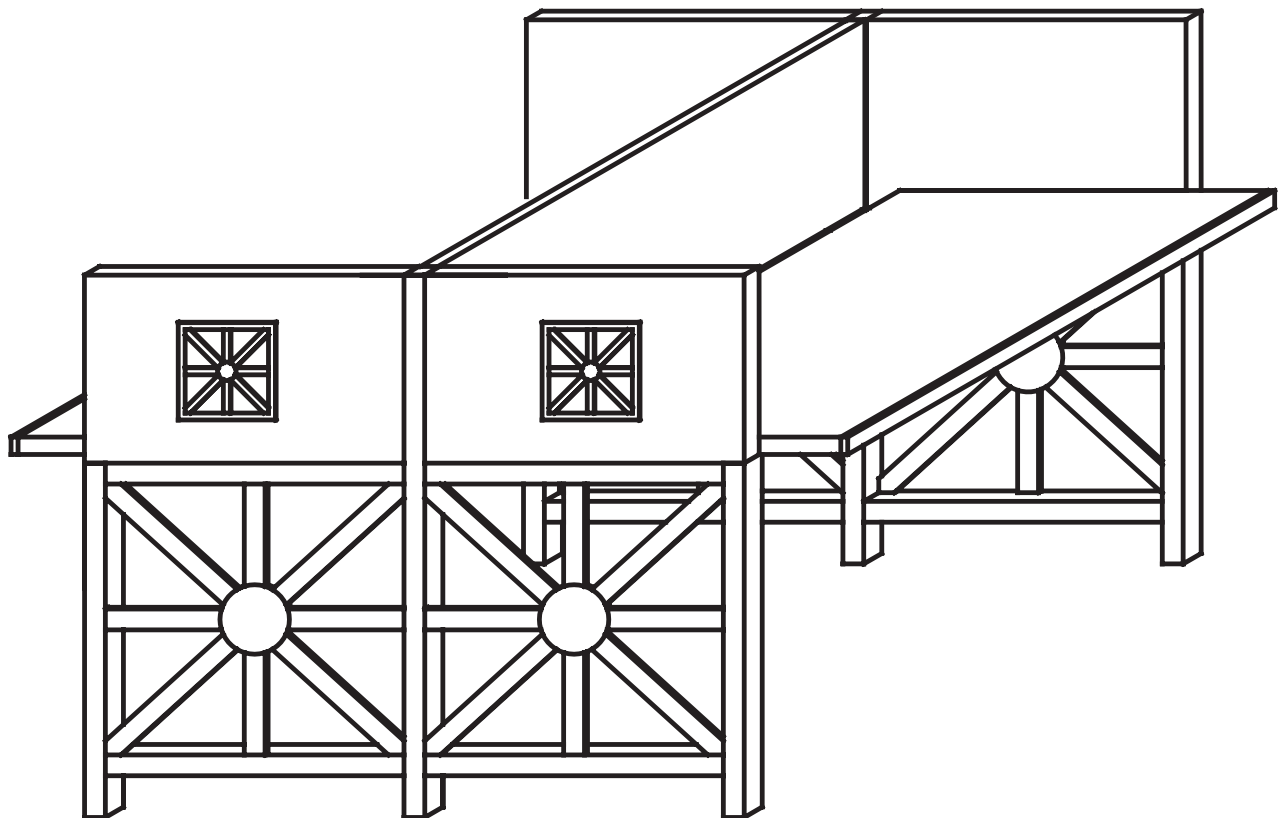
Options

OPTIONS HORIZONTAL INFORMATION TECHNOLOGY TABLE
72" WIDE X 30" OR 36" DEEP X 29", 32" OR 39" HIGH WITH 10"
MONITOR DIVIDER PANELS ABOVE



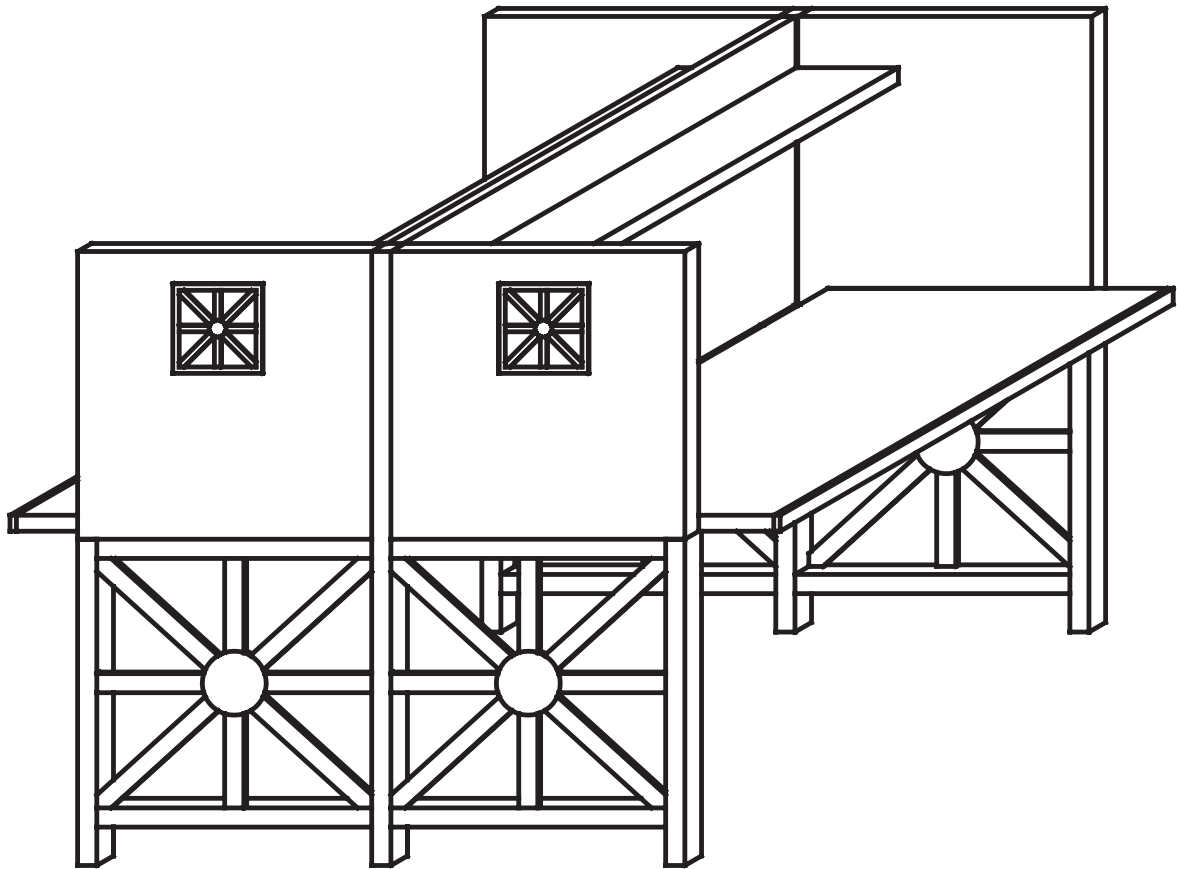
Options

OPTIONS ROMAN GRID DOUBLE FACED INFORMATION
TECHNOLOGY STATIONS 38", 50" OR 74" WIDE X 61" DEEP
X 39" HIGH WITH METAL GRILLS, WOOD PANELS, WORK SURFACES
WITH 3/4" THICK X 1 1/4" HIGH SOLID WOOD EDGE BANDED HPL
INLAY, 1 1/2" TUBULAR END FRAMES WITH METAL SUPERSTRUCTURE
SUPPORTS



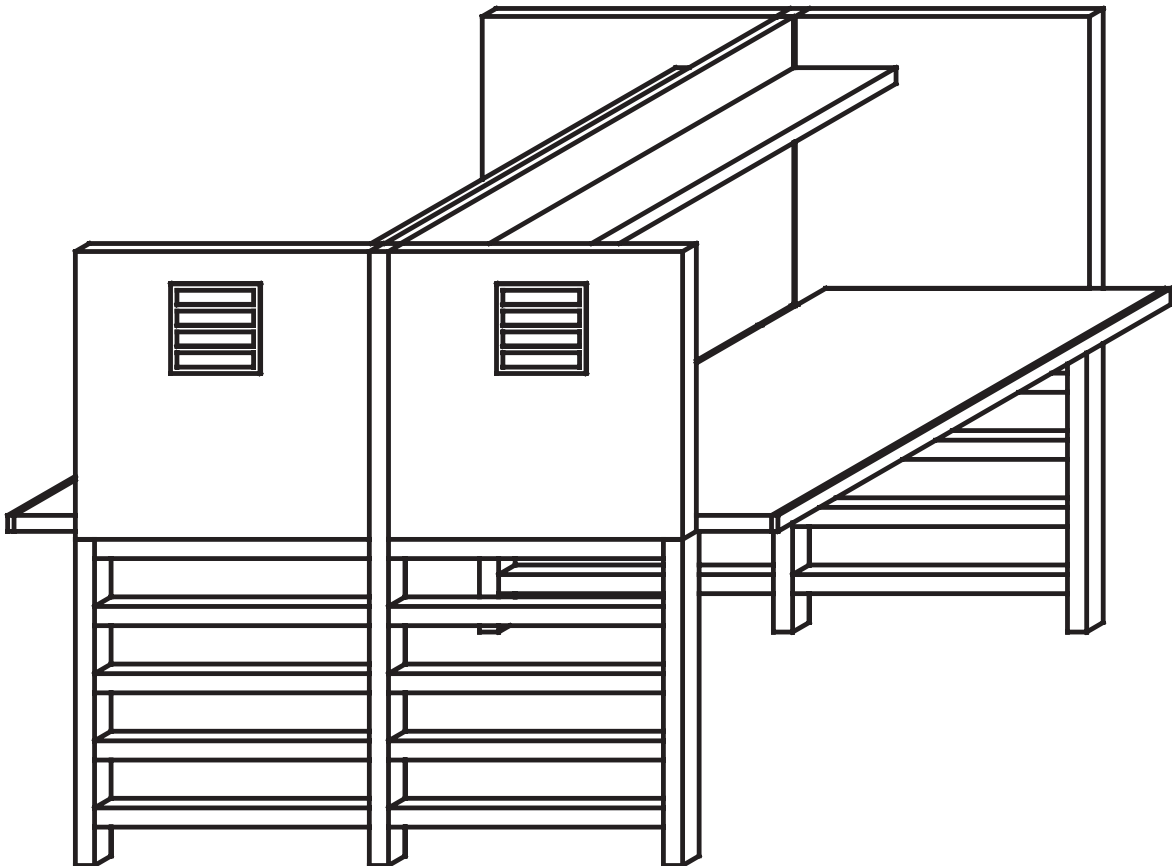
Options

OPTIONS ROMAN GRID DOUBLE FACED CARREL 38", 50" OR 74" WIDE X 61" DEEP X 48" HIGH WITH METAL GRILLS, WOOD PANELS, WORK SURFACES WITH 3/4" THICK X 1 1/4" HIGH SOLID WOOD EDGE BANDED HPL INLAY, 1 1/2" TUBULAR END FRAMES WITH METAL SUPERSTRUCTURE SUPPORTS



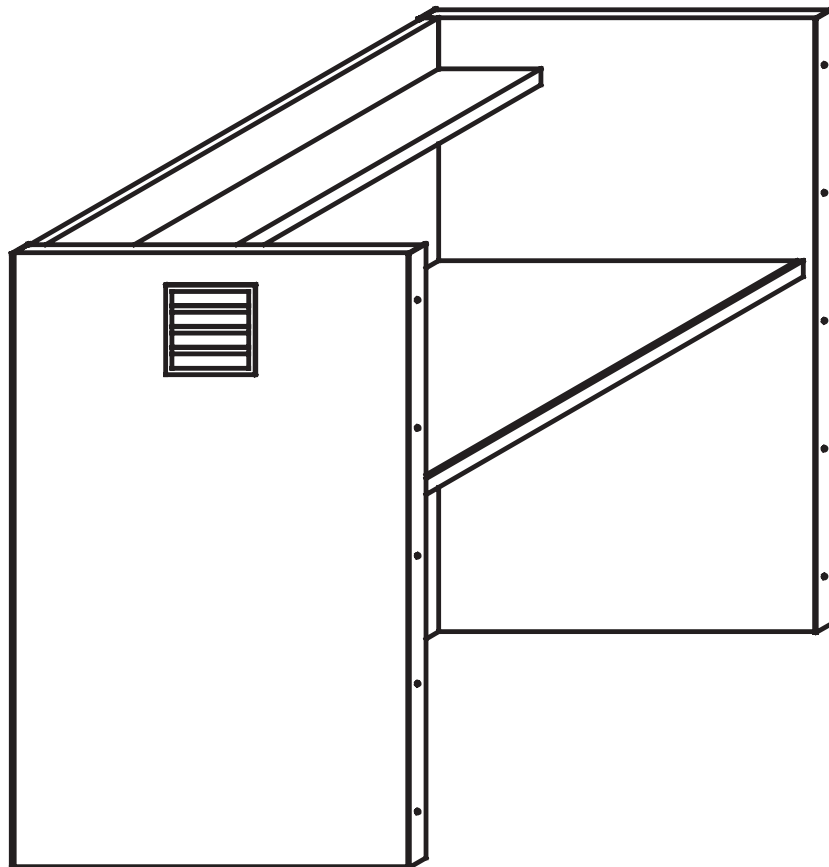
Options

OPTIONS HORIZONTAL DOUBLE FACED CARREL 38", 50" OR 74" WIDE X 61" DEEP X 48" HIGH WITH METAL GRILLS, WOOD PANELS, WORK SURFACES WITH 3/4" THICK X 1 1/4" HIGH SOLID WOOD EDGE BANDED HPL INLAY, 1 1/2" TUBULAR END FRAMES WITH METAL SUPERSTRUCTURE SUPPORTS



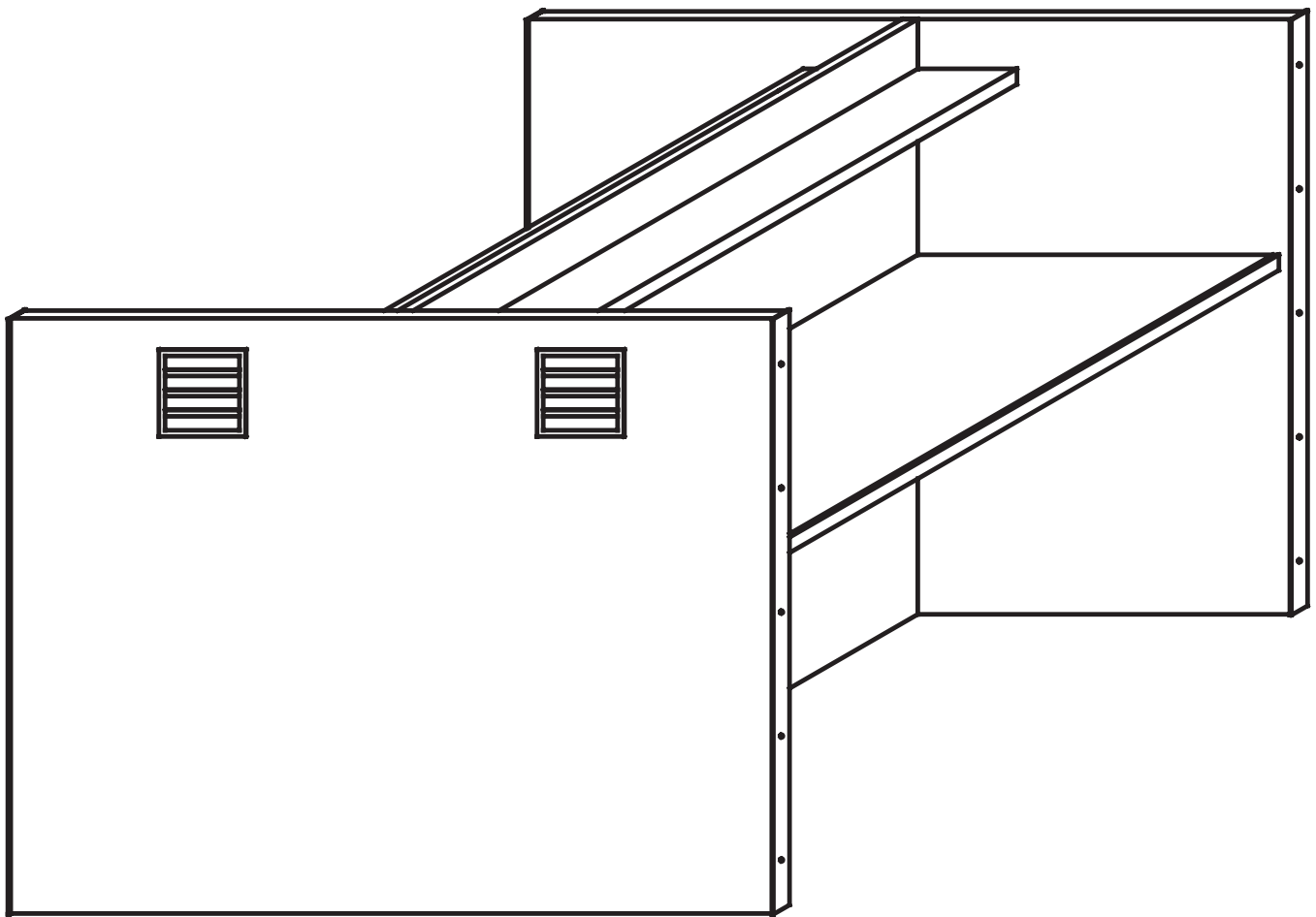
Options

OPTIONS II: SINGLE FACED CARREL 38", 50" OR 74" WIDE X 32" DEEP X 48" HIGH, 1 1/4" THICK WOOD PANELS WITH 1/4" THICK EDGE BANDING, WORK SURFACES WITH 3/4" THICK X 1 1/4" HIGH SOLID WOOD EDGE BANDED HPL INLAY, OPTIONS METAL GRILLS



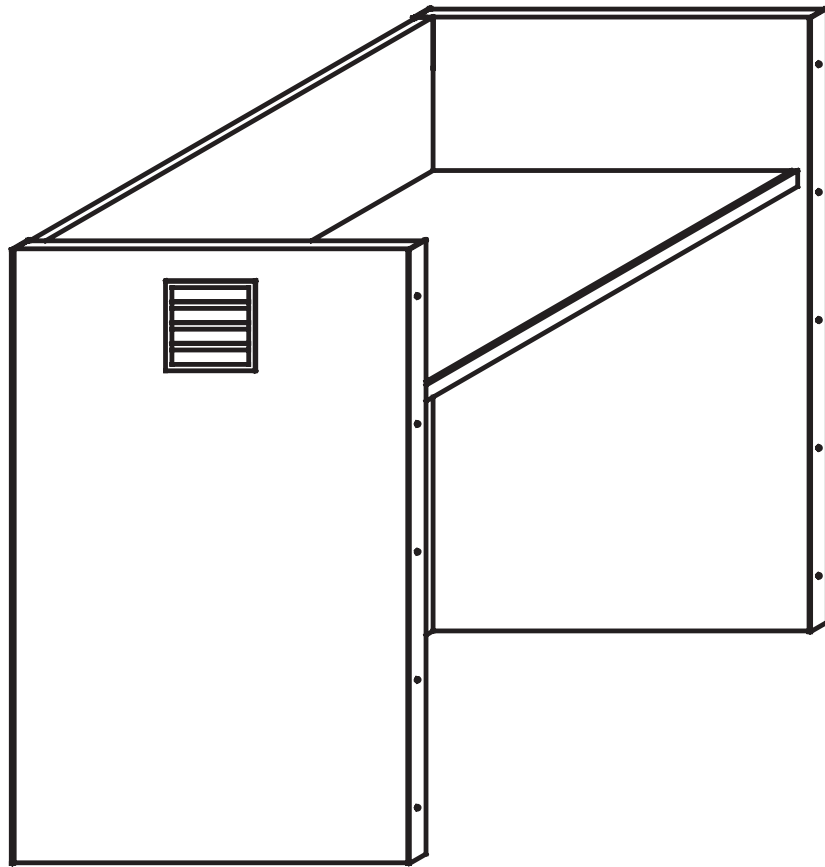
Options

OPTIONS II: DOUBLE FACED CARREL 38", 50" OR 74" WIDE X 63" DEEP X 48" HIGH, 1 1/4" THICK WOOD PANELS WITH 1/4" THICK EDGE BANDING, WORK SURFACES WITH 3/4" THICK X 1 1/4" HIGH SOLID WOOD EDGE BANDED HPL INLAY, OPTIONS METAL GRILLS



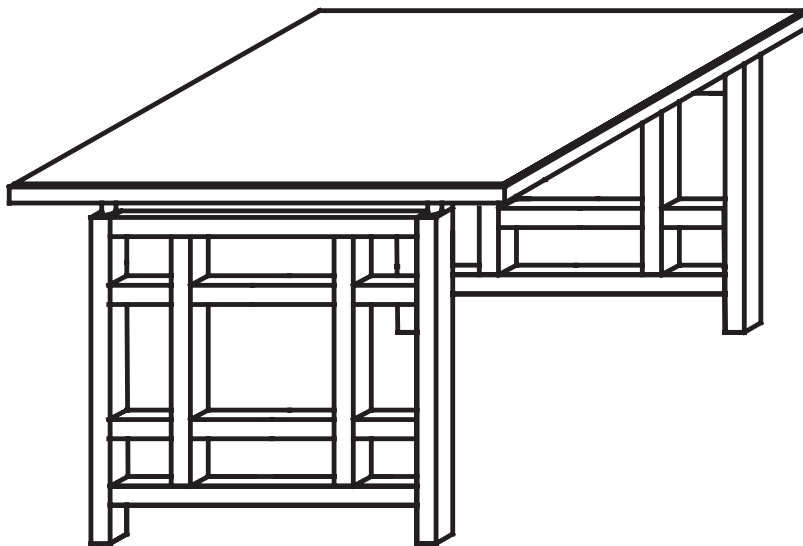
Options

OPTIONS II: SINGLE FACED PAC STATION 24", 30", 38", 50" OR 74" WIDE X 32" DEEP X 39" OR 48" HIGH, 1 1/4" THICK WOOD PANELS WITH 1/4" THICK EDGE BANDING, WORK SURFACES WITH 3/4" THICK X 1 1/4" HIGH SOLID WOOD EDGE BANDED HPL INLAY, OPTIONS METAL GRILLS



Options

OPTIONS HATCH OCCASIONAL TABLE 28" SQUARE X 21" HIGH
WITH 1 1/4" THICK HPL TOP WITH 3/4" THICK WOOD EDGE BAND
AND 1 1/2" TUBULAR END FRAMES WITH METAL SUPERSTRUCTURE
SUPPORTS

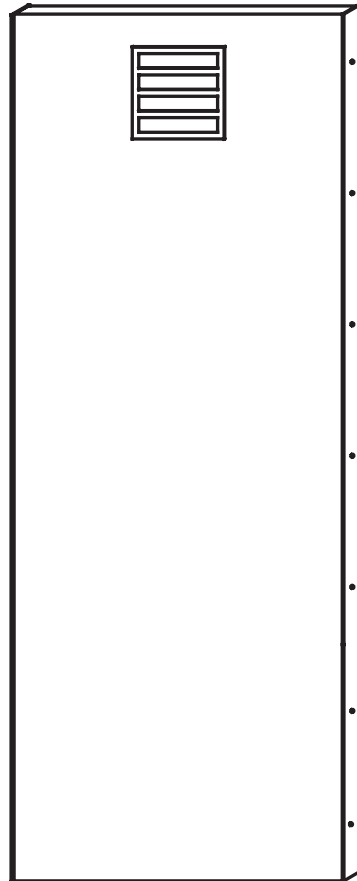
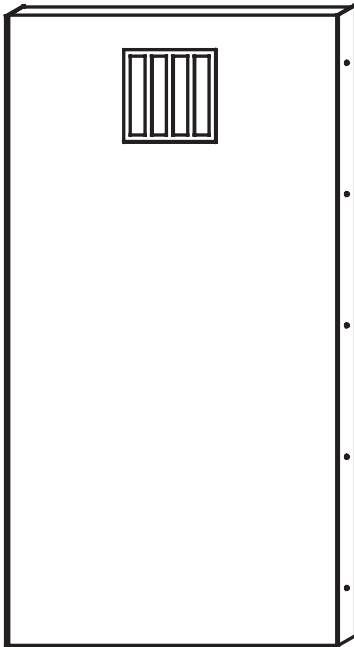


Options

OPTIONS VERTICAL OR HORIZONTALS END PANELS 1" THICK WITH WOOD VENEERS & 1/4" SOLID EDGE BANDING, 1 1/4" WIDE METAL END CAPS AND DECORATIVE METAL GRILLS

HORIZONTAL END PANELS

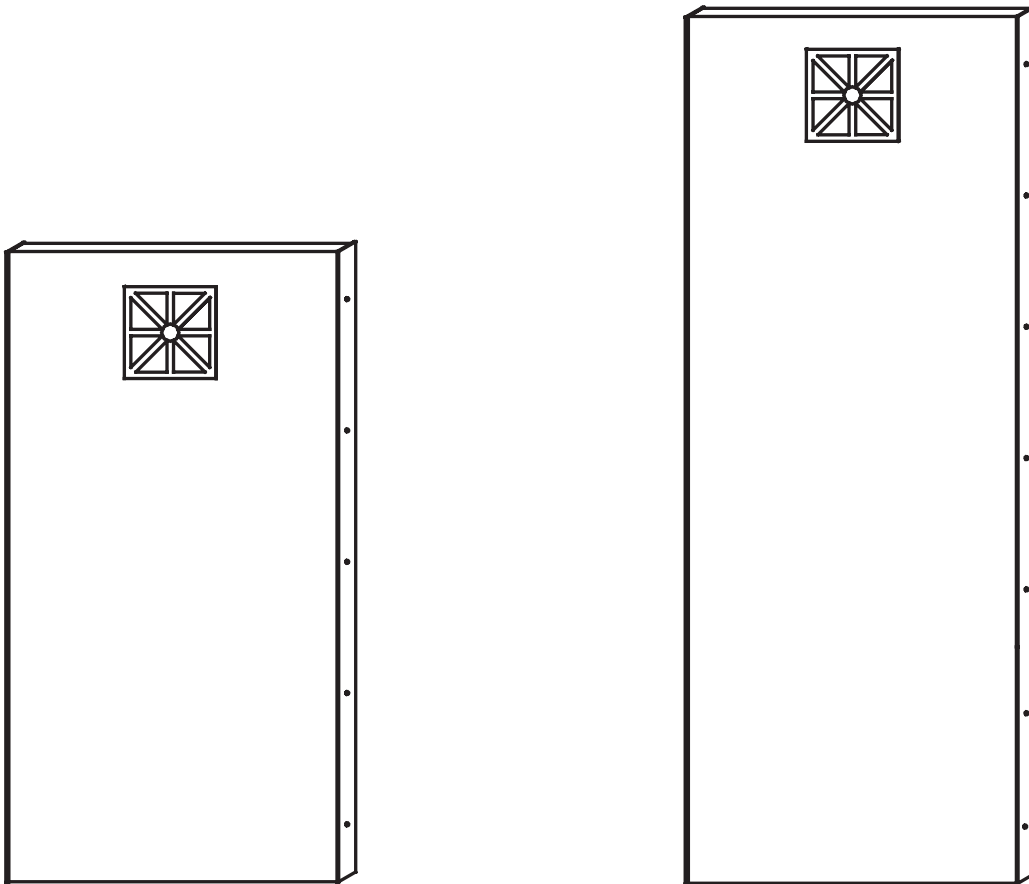
VERTICAL END PANELS



Options

OPTIONS ROMAN GRID END PANELS 1" THICK WITH WOOD VENEERS & 1/4" SOLID EDGE BANDING, 1 1/4" WIDE METAL END CAPS AND DECORATIVE METAL GRILLS

ROMAN GRID END PANELS



Options

OPTIONS ROMAN GRID BENCH 60" WIDE X 18" DEEP
X 18" HIGH WITH UPHOLSTERED SEAT AND 1 1/2" TUBULAR END
FRAMES WITH METAL SUPERSTRUCTURE
SUPPORTS

